

Additional operating instructions for hazardous areas (Ex i)  
Models TR12 and TC12

EN

Zusatz-Betriebsanleitung für explosionsgefährdete Bereiche (Ex i)  
Typen TR12 und TC12

DE

Mode d'emploi complémentaires concernant les zones explosives  
(Ex i), types TR12 et TC12

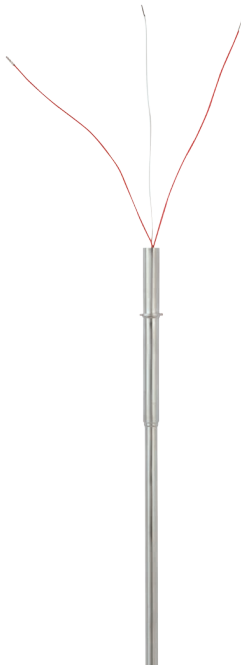
FR

Manual de instrucciones adicional para zonas potencialmente  
explosivas (Ex i) Modelos TR12 y TC12

ES



TÜV 10 ATEX 555793X  
IECEx TUN 10.0002X



Models TR12-A, TC12-A



Models TR12-B, TC12-B



Models TR12-M, TC12-M

<b>EN</b>	<b>Additional operating instructions models TR12, TC12 (Ex i)</b>	<b>Page</b>	<b>3 - 24</b>
<b>DE</b>	<b>Zusatz-Betriebsanleitung Typen TR12, TC12 (Ex i)</b>	<b>Seite</b>	<b>25 - 46</b>
<b>FR</b>	<b>Mode d'emploi complémentaires types TR12, TC12 (Ex i)</b>	<b>Page</b>	<b>47 - 68</b>
<b>ES</b>	<b>Manual de instrucciones adicional para los modelos TR12, TC12 (Ex i)</b>	<b>Página</b>	<b>69 - 89</b>

© 12/2018 WIKA Alexander Wiegand SE & Co. KG  
 All rights reserved. / Alle Rechte vorbehalten.  
 WIKA® is a registered trademark in various countries.  
 WIKA® ist eine geschützte Marke in verschiedenen Ländern.

Prior to starting any work, read the operating instructions!  
 Keep for later use!

Vor Beginn aller Arbeiten Betriebsanleitung lesen!  
 Zum späteren Gebrauch aufbewahren!

Lire le mode d'emploi avant de commencer toute opération !  
 A conserver pour une utilisation ultérieure !

¡Leer el manual de instrucciones antes de comenzar cualquier trabajo!  
 ¡Guardar el manual para una eventual consulta!

# Contents

---

<b>1. Ex marking</b>	<b>4</b>
<b>2. Safety</b>	<b>6</b>
<b>3. Commissioning, operation</b>	<b>8</b>
<b>4. Special conditions of use (X conditions)</b>	<b>18</b>
<b>5. Calculation examples for self-heating at the thermowell tip</b>	<b>20</b>
<b>Annex: EU declaration of conformity</b>	<b>23</b>

---

Declarations of conformity can be found online at [www.wika.com](http://www.wika.com).

# 1. Ex marking

## Supplementary documentation:

- ▶ This additional information for hazardous areas applies in conjunction with the operating instructions "Resistance thermometer TR12 and thermocouple TC12" (article number 14064370).

EN

# 1. Ex marking



## DANGER!

### Danger to life due to loss of explosion protection

Non-observance of these instructions and their contents may result in the loss of explosion protection.

- ▶ Observe the safety instructions in this chapter and further explosion instructions in these operating instructions.
- ▶ Follow the requirements of the ATEX directive.
- ▶ Observe the information given in the applicable type examination certificate and the relevant regulations for installation and use in hazardous areas (e.g. IEC 60079-11, IEC 60079-10 and IEC 60079-14).

Check whether the classification is suitable for the application. Observe the relevant national regulations.

## ATEX

II 1G	Ex ia IIC T1 ... T6 Ga
II 1/2G	Ex ia IIC T1 ... T6 Ga/Gb
II 2G	Ex ia IIC T1 ... T6 Gb
II 1D	Ex ia IIIC T1 ... T6 Da
II 1/2D	Ex ia IIIC T1 ... T6 Da/Db
II 2D	Ex ia IIIC T1 ... T6 Db

## IECEx

Ex ia IIC T1 ... T6 Ga
Ex ia IIC T1 ... T6 Ga/Gb
Ex ia IIC T1 ... T6 Gb
Ex ia IIIC T1 ... T6 Da
Ex ia IIIC T1 ... T6 Da/Db
Ex ia IIIC T1 ... T6 Db

# 1. Ex marking

For applications without transmitters (digital indicators) requiring instruments of equipment group II (potentially explosive gas atmospheres), the following temperature class classification and ambient temperature ranges apply:

Table 1

Marking		Temperature class	Ambient temperature range ( $T_a$ )	Max. surface temperature ( $T_{max}$ ) at the probe or thermowell tip
ATEX	IECEX			
II 1G	Ex ia IIC T1 ... T6 Ga	T1 ... T6	(-50) <sup>1)</sup> -40 ... +80 °C [(-58) <sup>1)</sup> -40 ... +176 °F]	$T_M$ (medium temperature) + self-heating  For this, the special conditions must be observed (see chapter 4 „Besondere Bedingungen für die Verwendung (X-Conditions)“).
II 1/2G	Ex ia IIC T1 ... T6 Ga/Gb			
II 2G	Ex ia IIC T1 ... T6 Gb			

For applications requiring instruments of equipment group II (potentially explosive dust atmospheres), the following surface temperatures and ambient temperature ranges apply:

Table 2

Marking		Power $P_i$	Ambient temperature range ( $T_a$ )	Max. surface temperature ( $T_{max}$ ) at the probe or thermowell tip
ATEX	IECEX			
II 1D	Ex ia IIIC T1 ... T6 Da	750 mW	(-50) <sup>1)</sup> -40 ... +40 °C [(-58) <sup>1)</sup> -40 ... +104 °F]	$T_M$ (medium temperature) + self-heating  For this, the special conditions must be observed (see chapter 4 „Besondere Bedingungen für die Verwendung (X-Conditions)“).
II 1/2D	Ex ia IIIC T1 ... T6 Da/Db			
II 2D	Ex ia IIIC T1 ... T6 Db			
II 1D	Ex ia IIIC T1 ... T6 Da	650 mW	(-50) <sup>1)</sup> -40 ... +70 °C [(-58) <sup>1)</sup> -40 ... +158 °F]	$T_M$ (medium temperature) + self-heating  For this, the special conditions must be observed (see chapter 4 „Besondere Bedingungen für die Verwendung (X-Conditions)“).
II 1/2D	Ex ia IIIC T1 ... T6 Da/Db			
II 2D	Ex ia IIIC T1 ... T6 Db			
II 1D	Ex ia IIIC T1 ... T6 Da	550 mW	(-50) <sup>1)</sup> -40 ... +80 °C [(-58) <sup>1)</sup> -40 ... +176 °F]	$T_M$ (medium temperature) + self-heating  For this, the special conditions must be observed (see chapter 4 „Besondere Bedingungen für die Verwendung (X-Conditions)“).
II 1/2D	Ex ia IIIC T1 ... T6 Da/Db			
II 2D	Ex ia IIIC T1 ... T6 Db			

1) The values in brackets apply to special versions. These probes are manufactured using special potting compounds. Moreover, they feature cases made of stainless steel and cable glands for low-temperature ranges.

When there is a built-in transmitter and/or a digital indicator, the special conditions from the type examination certificate (see chapter 4 „Special conditions of use (X conditions)“) apply.

## Use in methane atmospheres

Due to the higher minimum ignition current of methane, the instruments can also be used where methane causes a potentially explosive gas atmosphere. The instrument can optionally be marked with IIC + CH<sub>4</sub>.

EN

For applications that require EPL Gb or Db, the instruments marked with "ia" can also be used in type "ib" measuring circuits.

## 2. Safety

### 2.1 Explanation of symbols



#### **DANGER!**

... indicates a potentially dangerous situation in the hazardous area that can result in serious injury or death, if not avoided.

### 2.2 Intended use

The thermometers described here are suitable for temperature measurement in hazardous areas.

The non-observance of the instructions for use in hazardous areas can lead to the loss of the explosion protection. Adhere to the following limit values and instructions (see data sheet).

### 2.3 Responsibility of the operator

The responsibility for classification of zones lies with the plant manager and not the manufacturer/supplier of the equipment.

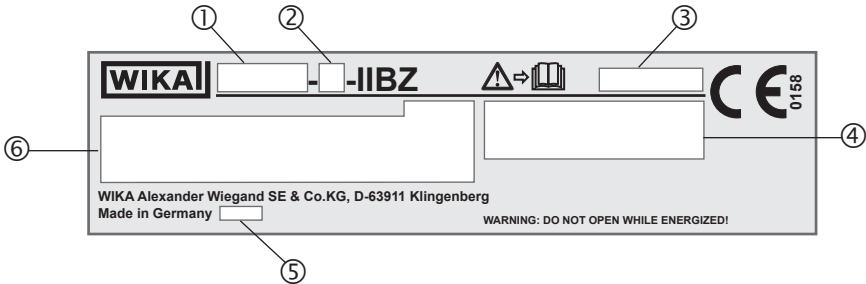
### 2.4 Personnel qualification

The skilled electrical personnel must have knowledge of ignition protection types, regulations and provisions for equipment in hazardous areas.

## 2. Safety

### 2.5 Labelling, safety marks

#### Product label (example)






- ① Model
- ② A = measuring insert  
B = process thermometer  
M = basic module
- ③ Serial number
- ④ Approval-related data
- ⑤ Year of manufacture
- ⑥ ■ Information on version (measuring element, measuring range...)

Sensor in accordance with standard (resistance thermometer)

- F = Thin-film measuring resistor
- W = Wire-wound measuring resistor

Sensor in accordance with standard (thermocouple)

- ungrounded  = ungrounded welded
- grounded  = welded to the sheath (grounded)
- quasi grounded  = The thermometer is, due to its low insulation clearances between resistance sensor and sheath, to be considered as grounded.

- Transmitter model (only for design with transmitter)



Before mounting and commissioning the instrument, ensure you read the operating instructions!





## 3. Commissioning, operation

### 3.1.1 Variant 1

The thermometer is fitted to a certified enclosure in which the terminal block is fitted. If the thermometer is marked with II 2G Ex ia IIC T1 ... T6 Gb, then it is designed for use in zone 1. If the thermometer is marked with II 1/2G Ex ia IIC T1 ... T6 Ga/Gb, then it is designed for use with a thermowell at the partition to zone 0.

► ATEX/IECEx case or connection head (with connection terminals, without transmitter)  
Evaluation of the resistance or the thermoelectric voltage by means of an electronic assembly outside of the hazardous area.

#### **Use in zone 1, marking II 2G Ex ia IIC T1 ... T6 Gb**

The case or the connection head is in zone 1 (or zone 2). The sensor is located in zone 1.

#### **Use at the partition to zone 0, marking II 1/2G Ex ia IIC T1 ... T6 Ga/Gb**

The case or the connection head is in zone 1 (or zone 2). The sensor is within a thermowell (min. wall thickness 1 mm) which extends into zone 0 via a process connection.

Powering with Ex ia electric circuit fulfils these conditions. The responsibility rests with the operator.

The permissible ambient temperatures for third-party products can be seen from the relevant approvals or data sheets.

A heating in the connection head does not occur with variant 1. However, an impermissible heat backflow from the process which can exceed the operating temperature of the case or the temperature class, must be prevented through suitable heat insulation or a suitably long neck tube.

## 3. Commissioning, operation

### 3.1.2 Variant 2

The thermometer is fitted to certified enclosures, which have an electronic assembly built into it. If the thermometer is marked with II 2G Ex ia IIC T1 ... T6 Gb, then it is designed for use in zone 1. If the thermometer is marked with II 1/2G Ex ia IIC T1 ... T6 Ga/Gb, then it is designed for use with a thermowell at the partition to zone 0.

► ATEX/IECEx Ex ia case or connection head with built-in head-mounted transmitter  
The evaluation is made via a current (4 ... 20 mA), voltage (0 ... 10 V) or fieldbus signal, which is generated from a head-mounted transmitter.

#### Use in zone 1, marking II 2G Ex ia IIC T1 ... T6 Gb

The case or the connection head is in zone 1 (or zone 2). The sensor is located in zone 1.

#### Use at the partition to zone 0, marking II 1/2G Ex ia IIC T1 ... T6 Ga/Gb

The case or the connection head is in zone 1 (or zone 2). The sensor is within a thermowell (min. wall thickness 1 mm) which extends into zone 0 via a process connection. The thermometer should be operated with a power-limiting circuit.

$P_{\max}$ : 1.5 W

$U_{\max}$ : 30 V

Powering with Ex ia electric circuit fulfils these conditions. The responsibility rests with the operator.

A heating in the connection head can occur with variant 2 through faulty electronics. The permissible ambient temperatures depend on the case used and any additionally fitted head-mounted transmitter.

However, an impermissible heat backflow from the process which can exceed the operating temperature of the case or the temperature class, must be prevented through suitable heat insulation or a suitably long neck tube.

### 3.1.3 Variant 3

The thermometer is fitted to certified equipment (transmitter). The thermometer is marked with II 2G Ex ia IIC Tx Gb and is designed for use in zone 1 with a thermowell. For any potential usage at the partition to zone 0 with a thermowell, the approvals and conditions of

## 3. Commissioning, operation

the relevant transmitters must be considered.

► ATEX/IECEX-Ex i-certified temperature transmitters

The evaluation is carried out via a current (4 ... 20 mA), voltage (0 ... 10 V) or fieldbus signal, which is generated by an ATEX/IECEX-Ex i-certified temperature transmitter.

### Use in zone 1, marking II 2G Ex ia IIC Gb

The case or the connection head is in zone 1 (or zone 2). The sensor is located in zone 1.

The main marking for models TR12-B and TC12-B are found on the certified connection housing or Ex i field transmitter.

The TR12-M and TC12-M modules are marked through a foil plate on the neck tube.

For a possible use at the partition to zone 0 with a thermowell, the approvals and conditions of the relevant Ex i field transmitters must be followed.

### 3.1.4 Use in methane atmospheres

As a result of the higher Minimum Experimental Safe Gap (MESG) and Minimum Ignition Current (MIC) of methane, the instruments can also be used in potentially explosive gas atmospheres caused by this.

U<sub>i</sub> = see third-party transmitter approval

I<sub>i</sub> = see third-party transmitter approval

P<sub>i</sub> = see third-party transmitter approval

L<sub>i</sub> = see third-party transmitter approval

C<sub>i</sub> = see third-party transmitter approval

EN

## 3. Commissioning, operation

### 3.2 Electrical mounting

#### Using a transmitter/digital indicator (option):

Observe the contents of the operating instructions for the transmitter/digital indicator (see scope of delivery).

Built-in transmitters/digital indicators have their own EC-type examination certificate. The permissible ambient temperature ranges of built-in transmitters can be taken from the corresponding transmitter approval.

Observe the special conditions (see chapter 4 „Special conditions of use (X conditions)“, point 3).

#### Electrical connection values

##### ■ Electrical data without built-in transmitter or digital indicator

Parameters	Instrument group II
	Potentially explosive gas atmosphere <sup>1)</sup>
Voltage $U_i$	DC 30 V
Current $I_i$	550 mA
Power $P_i$ (at the sensor)	1.5 W <sup>2) 3)</sup>
Effective internal capacitance, $C_i$ , of standard measuring inserts in accordance with DIN 43735	Negligible
Effective internal inductance, $L_i$ , of standard measuring inserts in accordance with DIN 43735	Negligible

- 1) Use in methane atmospheres  
Owing to the higher minimum ignition energy of methane, the instruments can also be used where methane causes a potentially explosive gas atmosphere.
- 2) The permissible power to the sensor depends on the temperature of the medium TM, the temperature class and the thermal resistance  $R_{th}$ , but shall not be more than 1.5 W.  
Calculation examples see chapter 5 „Calculation examples for self-heating at the thermowell tip“.
- 3) The permissible power to the sensor depends on the temperature of the medium TM, the maximum allowed surface temperature and the thermal resistance  $R_{th}$ , but shall not be more than the values from “Table 2” (column 2), chapter 1 „Ex marking“.

##### ■ Electrical data with built-in transmitter or digital indicator

$U_i$  = depending on the transmitter/digital indicator

$I_i$  = depending on the transmitter/digital indicator

$P_i$  = in the case: depending on the transmitter/digital indicator

$C_i$  = depending on the transmitter/digital indicator

$L_i$  = depending on the transmitter/digital indicator

## 3. Commissioning, operation

- Electrical data with built-in transmitter in accordance with the FISCO model  
The transmitters/digital indicators used for the application range in accordance with the FISCO model are considered FISCO field instruments. The requirements in accordance with IEC/EN 60079-27, and the connection conditions of the approvals in accordance with FISCO, apply.

### 3.3 Temperature class classification, ambient temperatures

The permissible ambient temperatures depend on the temperature class, the cases used and the optional built-in transmitter and/or digital indicator.

When a thermometer is connected to a transmitter and/or a digital indicator, the lowest value of either the ambient temperature limits or the highest temperature class will apply. The lower temperature limit is  $-40\text{ °C}$  [ $-40\text{ °F}$ ]; and  $-60\text{ °C}$  [ $-76\text{ °F}$ ] for special versions.

Where there are neither transmitters nor digital indicators mounted within the case, there will also be no additional warming. With a built-in transmitter (optionally with digital indicator), heating caused by operating the transmitter or digital indicator may occur.

For applications without transmitters (digital indicators) requiring instruments of equipment group II (potentially explosive gas atmospheres), the following temperature class classification and ambient temperature ranges apply:

Temperature class	Ambient temperature range ( $T_a$ )
T1 ... T6	$(-50) -40 \dots +80\text{ °C}$ [ $(-58) -40 \dots +176\text{ °F}$ ]

The permissible ambient temperatures and surface temperatures for third-party products can be seen from the relevant approvals and/or data sheets and must be observed.

#### Example

For instruments fitted with a transmitter and DIH50 digital indicator, for example, the following limit for temperature class classification applies:

Temperature class	Ambient temperature range ( $T_a$ )
T6	$-40 \dots +55\text{ °C}$ [ $-40 \dots 131\text{ °F}$ ]

The permissible ambient temperatures and surface temperatures for third-party products can be seen from the relevant approvals and/or data sheets and must be observed.

The values in brackets apply to special versions. These probes are manufactured using special potting compounds. Moreover, they feature connection heads made of stainless steel and cable glands for low-temperature ranges.

According to approval, these thermometers are suitable for the temperature classes T1 ... T6. This applies for instruments with or without built-in transmitters and/or digital indicators. Make sure the maximal ambient temperature for the safe use of the instrument is not exceeded.

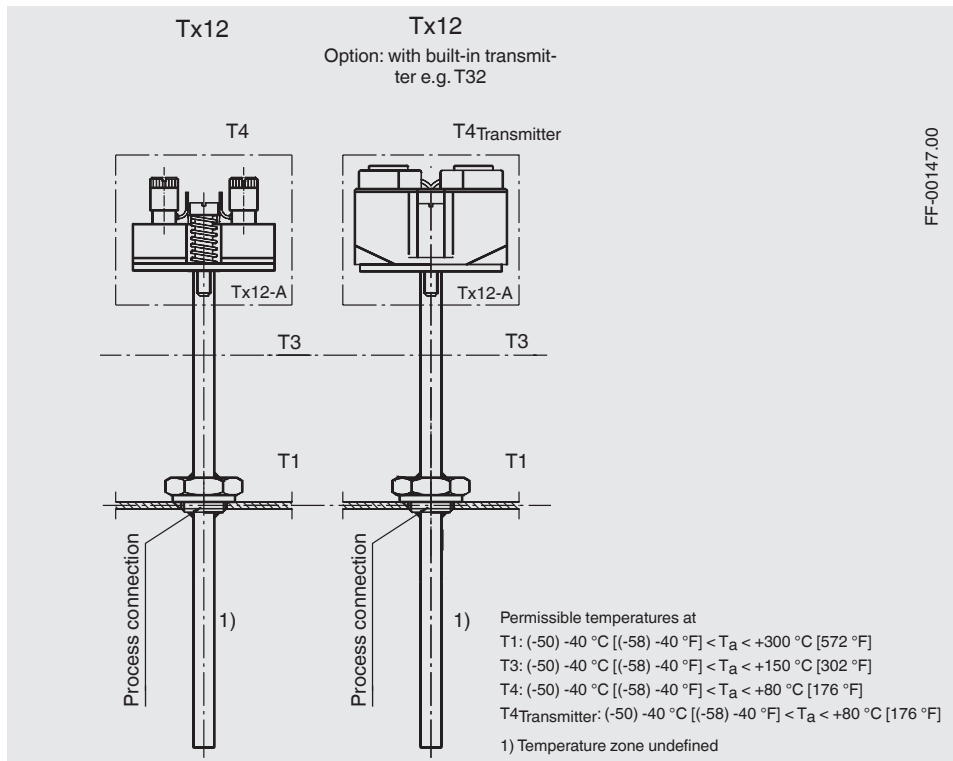
## 3. Commissioning, operation

### 3.4 Temperature carry-over from the process

Prevent any heat backflow from the process!

Observe the special conditions (see chapter 4 „Special conditions of use (X conditions)“, point 4).

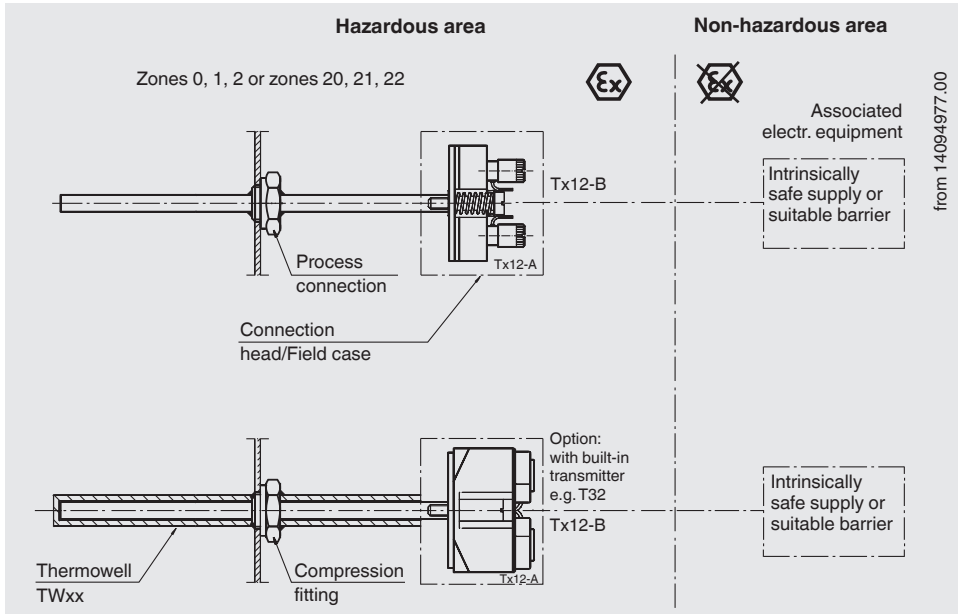
### 3.5 Overview of the temperature zones



# 3. Commissioning, operation

## 3.6 Mounting examples

### 3.6.1 Possible installation methods with the marking II 1G Ex ia IIC T6 Ga or II 1D Ex ia IIIC T65 °C Da



The probe together with case or connection head is located in zone 0 (zone 20). An Ex ia type current circuit must be used. Connection heads/cases made of aluminium are usually not permitted in zone 0. At this position, WIKA recommends connection heads/cases made of stainless steel.

#### Protective measures for applications that require EPL Ga or Da:

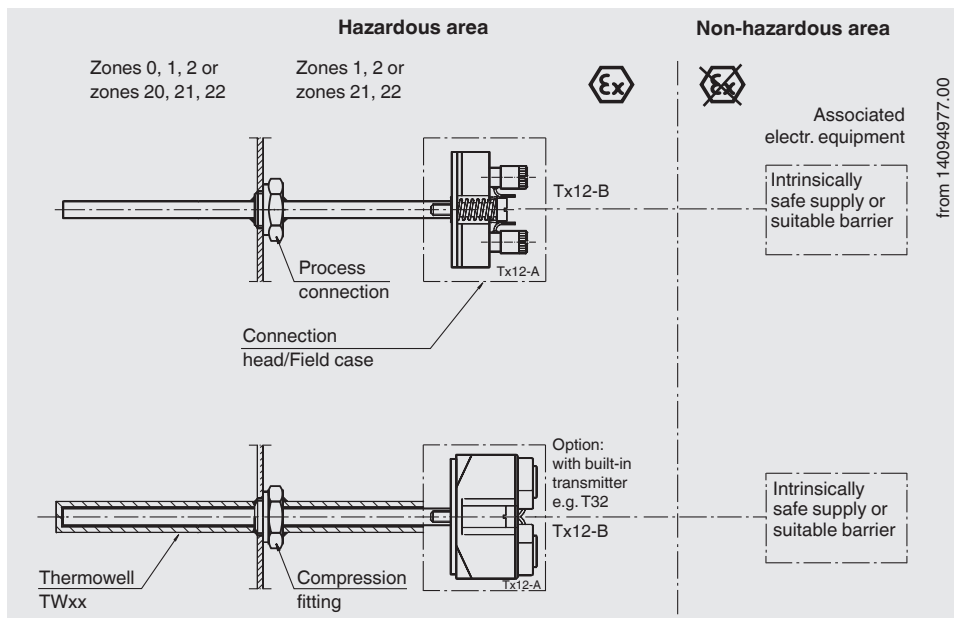
For the case where a light metal case is used in zone 0, the following protective measures apply:

Operationally based friction or impacts between light metal instrument components or their alloys (e.g. aluminium, magnesium, titanium or zirconium) and instrument components from iron/steel, are not permitted. Operationally based friction or impacts between light metals are permitted.

Observe the special conditions (see chapter 4 „Special conditions of use (X conditions)“, points 5 and 7).

### 3. Commissioning, operation

#### 3.6.2 Possible installation methods with the marking II 1/2G Ex ia IIC T1 ... T6 Ga/Gb or II 1/2D Ex ia IIIC T65 ... T125 °C Da/Db



The probe or thermowell tip protrudes into zone 0. The case or connection head is in zone 1 (zone 21) or zone 2 (zone 22). It is sufficient to use an Ex ib type circuit. Zone separation is guaranteed if sufficiently sealed (IP66 or IP67) process connections are used.

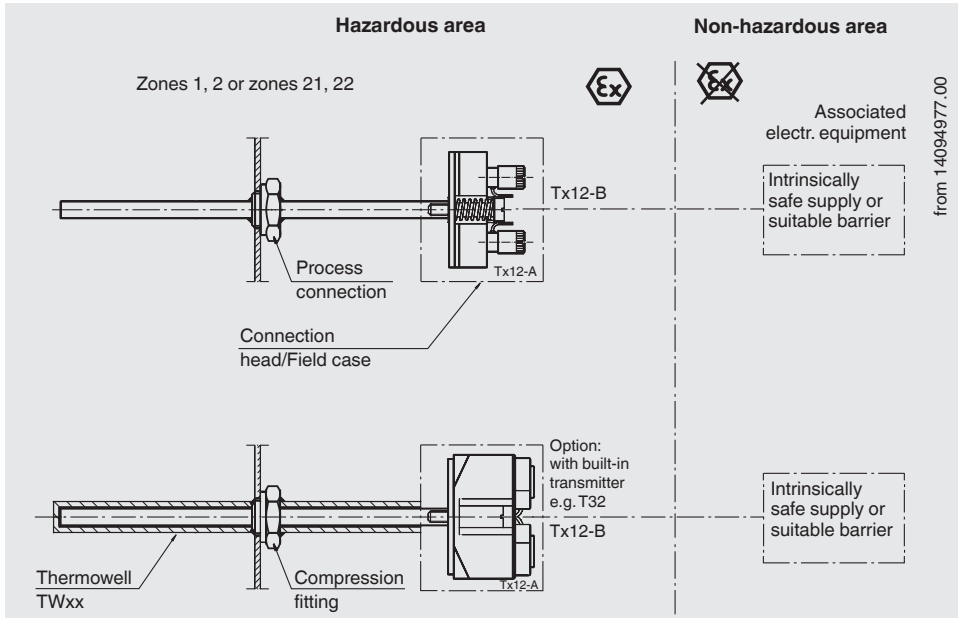
Examples of suitable process connections include gas-tight standardised industrial flanges, threaded connections or pipe connections.

The process connections, thermowells or cases used must be designed such that they withstand all influencing variables resulting from the process, such as temperature, flow forces, pressure, corrosion, vibration and impacts.



## 3. Commissioning, operation

### 3.6.3 Possible installation methods with the marking II 2G Ex ia IIC T1 ... T6 Gb or II 2D Ex ia IIIC T65 °C ... T125 °C Db



EN

### 3.7 Partition for use in zone 0 or zone 1/2 or separation between hazardous area and non-hazardous area



If the wall thickness is less than 1 mm, the instrument must also be marked with an "X" or a safety instruction in accordance with 29.2 of IEC/EN 60079-0, with the specific condition that for safe use it must not be subjected to ambient stresses that may have an adverse effect on the partition. If the partition is continuously subjected to vibrations (e.g. vibrating membranes), its fatigue limit at the maximum amplitude must be stated in the documentation (see section 4.2.5.2, IEC/EN 60079-26).

Observe the special conditions (see chapter 4 „Special conditions of use (X conditions)“, point 5).

Alternatively, a thermowell of suitable minimum wall thickness may be used by the customer. For this, the special conditions must be observed (see chapter 4 „Special conditions of use (X conditions)“, point 6).

## 4. Special conditions of use (X conditions)

### 4. Special conditions of use (X conditions)

- 1) Versions with  $\varnothing < 3$  mm or “grounded”  versions are non-compliant with section 6.3.13 of IEC/EN 60079-11. Therefore, from a safety-relevant point of view, these intrinsically safe circuits must be considered galvanically connected (“quasi grounded” ) to the earth potential, which is why equipotential bonding must be secured for the entire installation of the intrinsically safe circuits. In addition, for the connection, separate conditions in accordance with IEC/EN 60079-14 must be observed.
- 2) Electrostatic charges must be avoided in instruments, that due to their design, do not conform to the electrostatic requirements in accordance with IEC/EN 60079-0 and IEC/EN 60079-26.
- 3) The transmitters/digital indicators used must have their own EC-type examination certificate in accordance with IEC/EN. The installation conditions, the electrical connection values, the temperature class respectively the maximum surface temperatures of devices for the use in explosive dust atmospheres and the permissible ambient temperature shall be taken from the corresponding EC-type examination certificate and shall be considered.
- 4) Heat backflow from the process, that exceeds the permissible ambient temperature of the transmitter, digital indicator or case must not be allowed to occur. It must be prevented by installing suitable heat insulation or a neck tube of suitable length.
- 5) If the wall thickness is below 1 mm, the instruments must not be subjected to ambient stresses that may have an adverse effect on the partition. Alternatively, a thermowell of suitable minimum wall thickness may be used.
- 6) Using a thermowell/neck tube the instruments shall be constructed in a way that allows an installation that results in a sufficiently tight joint (IP66 or IP67) or a flameproof joint (IEC/EN 60079-1) towards the less hazardous area.
- 7) *Not relevant for this instrument (see X conditions in EC-type examination certificate)*
- 8) When cases are used, they must either have their own suitable EC-type examination certificate or comply with the minimum requirements.  
IP protection: at least IP 20 (at least IP6x for dust), applies to all cases  
Light metal casings must comply with the relevant sections of the applicable standards. In addition, non-metal cases or powder-coated cases must meet the electrostatic requirements of the applicable standards or have an appropriate warning label.
- 9) Accessible parts of ungrounded metal enclosures and accessible parts of metal enclosures that are grounded but do not conform to section 6.5 of IEC/EN 60079-11 shall conform to section 7.5 of IEC/EN 60079-0 or be marked with an appropriate warning label.

## 4. Special conditions of use (X conditions)

- 10) If it is not possible to specify the ambient temperature range on the labelling of the instrument because the instrument is a small device in accordance with section 29.10 of IEC/EN 60079-0, then the ambient temperature range shall be specified in the operating instructions supplied with the instrument. If the instrument is not a small instrument in accordance with section 29.10 of IEC/EN 60079-0, the labelling of the instrument must also contain a reference to the operating instructions supplied.

EN

### **Protective measures for applications that require EPL Ga or Da:**

Operationally based friction or impacts between light metal instrument components or their alloys (e.g. aluminium, magnesium, titanium or zirconium) and instrument components from iron/steel, are not permitted. Operationally based friction or impacts between light metals are permitted.

### 5. Calculation examples for self-heating at the thermowell tip

The self-heating at the thermowell tip depends upon the sensor type (TC/RTD), the measuring insert diameter and the thermowell design. The table below shows the possible combinations. The heating at the sensor tip of the bare measuring insert is clearly higher; the representation of these values was omitted on the grounds of the required assembly with a thermowell.

The table shows that thermocouples generate much less self-heating than resistance thermometers.

#### Thermal resistance [ $R_{th}$ in K/W]

Sensor type	RTD		TC	
	3.0 - < 6.0	6.0 - ≤ 8.0	3.0 - < 6.0	6.0 - ≤ 8.0
<b>Measuring insert diameter</b>				
<b>With protection tube</b> (straight and tapered), e.g. TW35, TW40 etc.	60	37	11	2.5
<b>With thermowell - bar stock material</b> (straight and tapered), e.g. TW10, TW15, TW20, TW25, TW30 etc.	22	16	4	1
<b>Built into a blind bore</b> (minimum wall thickness 5 mm [0.197 in])	22	16	4	1

#### 5.1 Example calculation for variant 2 with TC sensor

Under the same conditions it gives a lower value for the self-heating, since the supplied power is not only converted at the probe tip, but rather over the entire length of the measuring insert.

Thermal resistance [ $R_{th}$  in K/W] from table = 3 K/W

Self-heating:  $0.8 \text{ W} \cdot 3 \text{ K/W} = 2.4 \text{ K}$

$T_{max} = T_M + \text{self-heating: } 150 \text{ °C [302 °F]} + 2.4 \text{ °C [36 °F]} = 152.4 \text{ °C [306 °F]}$

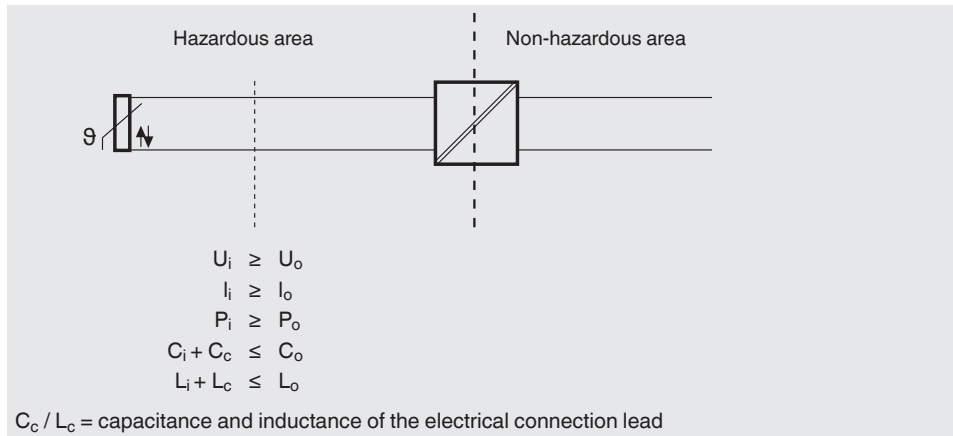
As a safety margin for type-tested instruments (for T6 to T3), an additional 5 °C [41 °F] must be subtracted from the 200 °C [392 °F]; hence 195 °C [383 °F] would be permissible. This means that in this case temperature class T3 is not exceeded.

In this example it is clear that the self-heating here is almost negligible.



## 5. Calculation examples for self-heating at the ...

### Sensor without transmitter, with barrier



Simplified verification of intrinsic safety for the above-mentioned combination

Measuring insert		Zener barrier Z954	
$U_i$ : DC 30 V	≥	$U_o$ : DC 9 V	$U_m$ : AC 250 V
$I_i$ : 550 mA	≥	$I_o$ : 510 mA	$I_j$ : n. a.
$P_i$ (max.) at the sensor = 1.5 W	≥	$P_o$ : 1,150 mW	$P_j$ : n. a.
$C_i$ : negligible	≤	$C_o$ : 4.9 μF	$C_j$ : n. a.
$L_i$ : negligible	≤	$L_o$ : 0.12 mH	$L_j$ : n. a.

n. a. = not applicable

Upon comparing the values, it is obvious that it is permissible to connect these instruments to one another. However, the operator must also take into account the values for inductance and capacitance of the electrical connection leads.

These calculations apply to the Z954 Zener barrier in connection with a resistance thermometer Pt100 in 3-channel mode without grounding, i.e., symmetrical operation of the resistance thermometer in 3-wire circuit on an indicator or read-out unit.



## EU-Konformitätserklärung EU Declaration of Conformity

**Dokument Nr.:** 14031790.05  
**Document No.:**

Wir erklären in alleiniger Verantwortung, dass die mit CE gekennzeichneten Produkte  
*We declare under our sole responsibility that the CE marked products*

**Typenbezeichnung:** TR12-B-ZZZ, TR12-M-ZZZ, TR12-A-ZZZ;  
**Type Designation:** TC12-B- ZZZ, TC12-M-ZZZ, TC12-A-ZZZ;  
TR12-B-\*(1, 2, 4), TR12-M-\*(1, 2, 4), TR12-A-\*(1, 2, 4);  
TC12-B-\*(1, 2, 4), TC12-M-\*(1, 2, 4), TC12-A-\*(1, 2, 4);  
TR12-B-\*(1, 3), TR12-M-\*(1, 3), TC12-B-\*(1, 3), TC12-M-\*(1, 3);

**Beschreibung:** Prozessthermometer Typ TR12 und TC12 zum Einbau in ein Schutzhorn  
**Description:** Process thermometer model TR12 and TC12 for additional thermowell

gemäß gültigem Datenblatt: TE 60.16, TE 60.17, TE 65.16, TE 65.17  
*according to the valid data sheet:*

mit den nachfolgenden relevanten Harmonisierungsvorschriften der Union  
übereinstimmen:  
*are in conformity with the following relevant Union harmonization  
legislation:*

Angewandte harmonisierte Normen:  
*Applied harmonised standards:*

2011/65/EU	Gefährliche Stoffe (RoHS) <i>Hazardous substances (RoHS)</i>	EN IEC 63000:2018
2014/30/EU	Elektromagnetische Verträglichkeit (EMV) <i>Electromagnetic Compatibility (EMC)</i>	EN 61326-1:2013 <sup>(5)</sup> EN 61326-2-3:2013 <sup>(5)</sup>
2014/34/EU	Explosionsschutz (ATEX) <sup>(1, 2, 3, 4)</sup> <i>Explosion protection (ATEX)</i> <sup>(1, 2, 3, 4)</sup>	Refer to annex

- (1) Die folgenden Buchstaben für die Ex-Zertifizierung ersetzen den Platzhalter \*:  
A, B, C, D, E, F, G, H, I, J, K, L, M, O, P, Q, R, S, T, U, V, W, X, Y  
*The following letters for the Ex certification replace the placeholder \*:*  
A, B, C, D, E, F, G, H, I, J, K, L, M, O, P, Q, R, S, T, U, V, W, X, Y
- (2) EG-Baumusterprüfbescheinigung TÜV 10 ATEX 555793 X von TÜV NORD CERT GmbH (Reg.-Nr. 0044)  
*EC type-examination certificate TÜV 10 ATEX 555793 X of TÜV NORD CERT GmbH (Reg. no. 0044)*
- (3) EU-Baumusterprüfbescheinigung BVS 07 ATEX E 071 X von DEKRA Testing and Certification GmbH (Reg. Nr. 0158)  
*EU type examination certificate BVS 07 ATEX E 071 X of DEKRA Testing and Certification GmbH (Reg. No. 0158)*
- (4) Modul A, interne Fertigungskontrolle  
*Module A, internal control of production*
- (5) Gilt nur mit eingebautem WIKA Transmitter. Werden Transmitter von anderen Herstellern verwendet, können diese anderen Normen entsprechen. Es sind dann die mitgelieferten Anleitungen und EU-Konformitätserklärungen dieser Transmitter zu beachten.  
*Applies only to built-in WIKA transmitter. When using transmitters of other manufacturers, other standards may apply. The instructions and EU Declarations of Conformity supplied with these transmitters must then be observed.*

Unterszeichnet für und im Namen von / *Signed for and on behalf of*

**WIKAI Alexander Wiegand SE & Co. KG**

Klingenberg, 2022-11-02

Stefan Heidinger, Vice President  
Electrical Temperature Measurement

WIKAI Alexander Wiegand SE & Co. KG  
Alexander-Wiegand-Straße 30  
63911 Klingenberg  
Germany  
WEEE-Reg.-Nr. DE 92770372

Tel. +49 9372 132-0  
Fax +49 9372 132-406  
E-Mail info@wika.de  
www.wika.de

Kommanditgesellschaft, Sitz Klingenberg –  
Amtsgericht Aschaffenburg HRA 1819

Roland Stapf, Head of Quality Management  
Process Instrumentation Corporate Quality

Komplementär:  
WIKAI International SE - Sitz Klingenberg -  
Amtsgericht Aschaffenburg HRB 10505  
Vorstand: Alexander Wiegand  
Vorsitzender des Aufsichtsrats: Prof. Dr. Roderich C. Thummel  
19AR-03458





# Inhalt

<b>1. Ex-Kennzeichnung</b>	<b>26</b>
<b>2. Sicherheit</b>	<b>28</b>
<b>3. Inbetriebnahme, Betrieb</b>	<b>30</b>
<b>4. Besondere Bedingungen für die Verwendung (X-Conditions)</b>	<b>40</b>
<b>5. Berechnungsbeispiele für die Eigenerwärmung an der Schutzrohrspitze</b>	<b>42</b>
<b>Anlage: EU-Konformitätserklärung</b>	<b>45</b>

Konformitätserklärungen finden Sie online unter [www.wika.de](http://www.wika.de).

# 1. Ex-Kennzeichnung

## Ergänzende Dokumentation:

- ▶ Diese Zusatzinformation für explosionsgefährdete Bereiche gilt im Zusammenhang mit der Betriebsanleitung „Widerstandsthermometer TR12 und Thermoelement TC12“ (Artikelnummer 14064370).

DE

## 1. Ex-Kennzeichnung



### GEFAHR!

#### Lebensgefahr durch Verlust des Explosionsschutzes

Die Nichtbeachtung dieser Inhalte und Anweisungen kann zum Verlust des Explosionsschutzes führen.

- ▶ Sicherheitshinweise in diesem Kapitel sowie weitere Explosionshinweise in dieser Betriebsanleitung beachten.
- ▶ Die Anforderungen der ATEX-Richtlinie beachten.
- ▶ Die Angaben der geltenden Baumusterprüfbescheinigung sowie die jeweiligen Vorschriften zur Installation und Einsatz in explosionsgefährdeten Bereichen (z. B. IEC 60079-11, IEC 60079-10 und IEC 60079-14) einhalten.

Überprüfen, ob die Klassifizierung für den Einsatzfall geeignet ist. Die jeweiligen nationalen Vorschriften und Bestimmungen beachten.

ATEX	
II 1G	Ex ia IIC T1 ... T6 Ga
II 1/2G	Ex ia IIC T1 ... T6 Ga/Gb
II 2G	Ex ia IIC T1 ... T6 Gb
II 1D	Ex ia IIIC T1 ... T6 Da
II 1/2D	Ex ia IIIC T1 ... T6 Da/Db
II 2D	Ex ia IIIC T1 ... T6 Db

IECEX	
Ex ia IIC T1 ... T6 Ga	
Ex ia IIC T1 ... T6 Ga/Gb	
Ex ia IIC T1 ... T6 Gb	
Ex ia IIIC T1 ... T6 Da	
Ex ia IIIC T1 ... T6 Da/Db	
Ex ia IIIC T1 ... T6 Db	

# 1. Ex-Kennzeichnung

Für Anwendungen ohne Transmitter (Digitalanzeigen), die Geräte der Gerätegruppe II (explosionsfähige Gasatmosphären) erfordern, gelten folgende Temperaturklasseneinteilung und Umgebungstemperaturbereiche:

Tabelle 1

Kennzeichnung		Temperaturklasse	Umgebungstemperaturbereich ( $T_a$ )	Max. Oberflächentemperatur ( $T_{max}$ ) an der Fühler- oder Schutzrohrspitze
ATEX	IECEx			
II 1G	Ex ia IIC T1 ... T6 Ga	T1 ... T6	(-50) <sup>1)</sup> -40 ... +80 °C [(-58) <sup>1)</sup> -40 ... +176 °F]	T <sub>M</sub> (Mediumstemperatur) + Eigenerwärmung  Hierzu sind die besonderen Bedingungen zu beachten (siehe Kapitel 4 „Besondere Bedingungen für die Verwendung (X-Conditions)“).
II 1/2G	Ex ia IIC T1 ... T6 Ga/Gb			
II 2G	Ex ia IIC T1 ... T6 Gb			

Für Anwendungen, die Geräte der Gerätegruppe II (explosionsfähige Staubatmosphären) erfordern, gelten folgende Oberflächentemperaturen und Umgebungstemperaturbereiche:

Tabelle 2

Kennzeichnung		Leistung $P_i$	Umgebungstemperaturbereich ( $T_a$ )	Max. Oberflächentemperatur ( $T_{max}$ ) an der Fühler- oder Schutzrohrspitze
ATEX	IECEx			
II 1D	Ex ia IIIC T1 ... T6 Da	750 mW	(-50) <sup>1)</sup> -40 ... +40 °C [(-58) <sup>1)</sup> -40 ... +104 °F]	T <sub>M</sub> (Mediumstemperatur) + Eigenerwärmung  Hierzu sind die besonderen Bedingungen zu beachten (siehe Kapitel 4 „Besondere Bedingungen für die Verwendung (X-Conditions)“).
II 1/2D	Ex ia IIIC T1 ... T6 Da/Db			
II 2D	Ex ia IIIC T1 ... T6 Db			
II 1D	Ex ia IIIC T1 ... T6 Da	650 mW	(-50) <sup>1)</sup> -40 ... +70 °C [(-58) <sup>1)</sup> -40 ... +158 °F]	Hierzu sind die besonderen Bedingungen zu beachten (siehe Kapitel 4 „Besondere Bedingungen für die Verwendung (X-Conditions)“).
II 1/2D	Ex ia IIIC T1 ... T6 Da/Db			
II 2D	Ex ia IIIC T1 ... T6 Db			
II 1D	Ex ia IIIC T1 ... T6 Da	550 mW	(-50) <sup>1)</sup> -40 ... +80 °C [(-58) <sup>1)</sup> -40 ... +176 °F]	Hierzu sind die besonderen Bedingungen zu beachten (siehe Kapitel 4 „Besondere Bedingungen für die Verwendung (X-Conditions)“).
II 1/2D	Ex ia IIIC T1 ... T6 Da/Db			
II 2D	Ex ia IIIC T1 ... T6 Db			

1) Die Werte in Klammern gelten für Sonderausführungen. Diese Fühler werden mit besonderen Vergussmassen gefertigt. Weiterhin werden sie mit Gehäusen aus CrNi-Stahl und mit Kabelverschraubungen für den Tieftemperaturbereich ausgestattet.

Beim Einbau eines Transmitters und/oder einem Digitalanzeige gelten die besonderen Bedingungen aus der Baumusterprüfbescheinigung (siehe Kapitel 4 „Besondere Bedingungen für die Verwendung (X-Conditions)“).

## Verwendung in Methan-Atmosphären

Aufgrund des höheren Mindestzündstromes (MIC) von Methan können die Geräte auch in dadurch verursachte explosionsfähige Gasatmosphären eingesetzt werden. Das Gerät wird optional mit IIC + CH<sub>4</sub> gekennzeichnet.

Für Anwendungen, die EPL Gb oder Db erfordern, können die mit „ia“ gekennzeichneten Geräte auch in Messstromkreisen des Typs „ib“ eingesetzt werden.

DE

## 2. Sicherheit

### 2.1 Symbolerklärung



#### **GEFAHR!**

... weist auf eine möglicherweise gefährliche Situation im explosionsgefährdeten Bereich hin, die zum Tod oder zu schweren Verletzungen führen kann, wenn sie nicht gemieden wird.

### 2.2 Bestimmungsgemäße Verwendung

Die hier beschriebenen Thermometer sind geeignet zur Temperaturmessung in explosionsgefährdeten Bereichen.

Das Nichtbeachten der Angaben für den Einsatz in explosionsgefährdeten Bereichen führt zum Verlust des Explosionsschutzes. Grenzwerte und technische Angaben einhalten (siehe Datenblatt).

### 2.3 Verantwortung des Betreibers

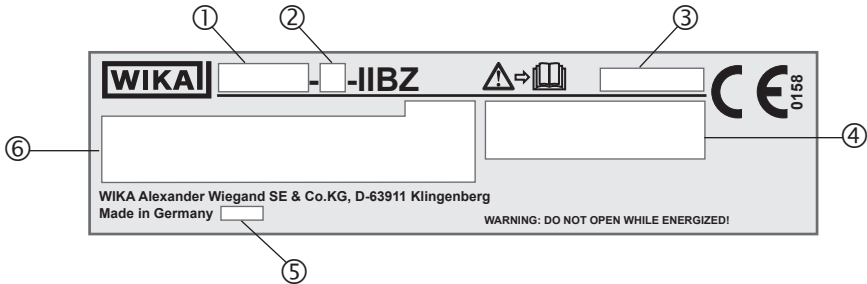
Die Verantwortung über die Zoneneinteilung unterliegt dem Anlagenbetreiber und nicht dem Hersteller/Lieferanten der Betriebsmittel.

### 2.4 Personalqualifikation

Das Elektrofachpersonal muss Kenntnisse haben über Zündschutzarten, Vorschriften und Verordnungen für Betriebsmittel in explosionsgefährdeten Bereichen.

### 2.5 Beschilderung, Sicherheitskennzeichnungen

#### Typenschild (Beispiel)






- ① Typ
- ② A = Messeinsatz  
B = Prozess-Thermometer  
M = Basismodul
- ③ Seriennummer
- ④ Zulassungsrelevante Daten
- ⑤ Herstellungsjahr
- ⑥ ■ Angaben zur Ausführung (Messelement, Messbereich...)

Sensor nach Norm (Widerstandsthermometer)

- F = Dünnschicht-Messwiderstand
- W = Drahtgewickelter Messwiderstand

Sensor nach Norm (Thermoelement)

- ungrounded  = isoliert verschweißt
- grounded  = mit dem Mantel verschweißt (geerdet)
- quasi geerdet  = Das Thermometer ist, aufgrund geringer Isolationsabstände zwischen Widerstandssensor und Mantel, als geerdet zu betrachten.

- Transmittertyp (nur bei Ausführung mit Transmitter)



Vor Montage und Inbetriebnahme des Geräts unbedingt die Betriebsanleitung lesen!

## 3. Inbetriebnahme, Betrieb



### GEFAHR!

#### Lebensgefahr durch Explosion

Durch die Verwendung eines Messeinsatzes ohne geeigneten Anschlusskopf (Gehäuse) besteht Explosionsgefahr, die zum Tod führen kann.

- Messeinsatz nur im dafür vorgesehenen Anschlusskopf betreiben.

DE



### GEFAHR!

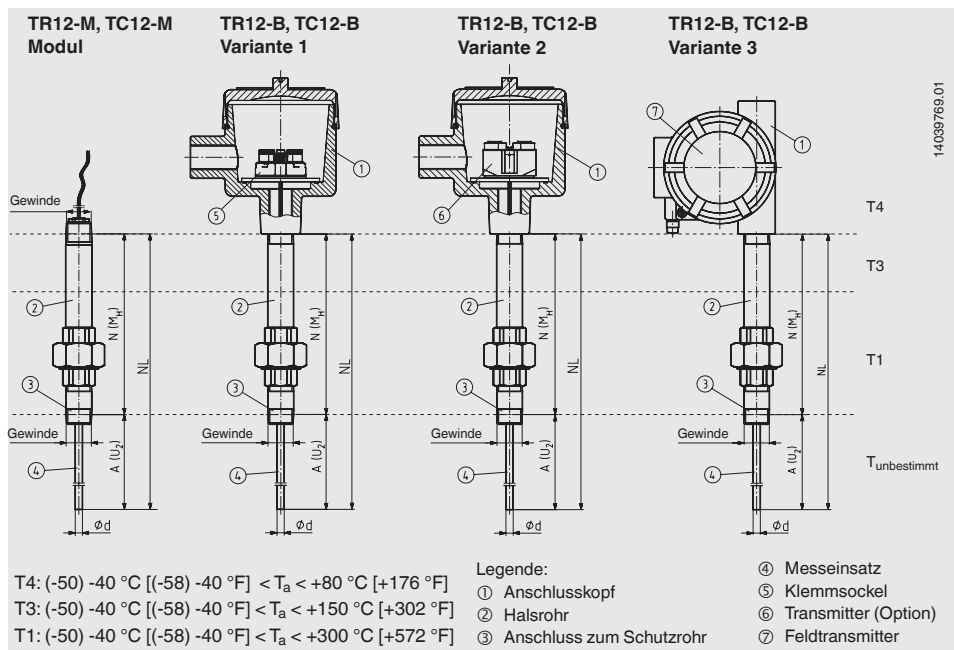
#### Lebensgefahr bei fehlender Geräteerdung

Bei fehlender oder falscher Geräteerdung besteht die Gefahr von gefährlicher Spannung (hervorgerufen durch z. B. mechanische Beschädigung, elektrostatische Aufladung oder Induktion).

- Thermometer erden!

Besondere Bedingungen beachten (siehe Kapitel 4 „Besondere Bedingungen für die Verwendung (X-Conditions)“, Punkt 2).

### 3.1 Sicherheitstechnische Hinweise für die verschiedenen Varianten



141039769.01

14280102.02 07/2023 EN/DE/FR/ES

### 3.1.1 Variante 1

Das Thermometer wird an ein bescheinigtes Leergehäuse angebaut, in dem eine Klemmleiste eingebaut ist. Ist das Thermometer mit II 2G Ex ia IIC T1 ... T6 Gb gekennzeichnet, ist es für den Einsatz in der Zone 1 vorgesehen. Ist das Thermometer mit II 1/2G Ex ia IIC T1 ... T6 Ga/Gb gekennzeichnet, ist es für den Einsatz an der Trennwand zu Zone 0 mit einem Schutzrohr vorgesehen.

► ATEX/IECEx-Gehäuse oder -Anschlusskopf (mit Anschlussklemme, ohne Transmitter) Auswertung des Widerstandes oder der Thermo-spannung mittels einer Elektronik außerhalb des explosionsgefährdeten Bereichs.

#### **Einsatz in Zone 1, Kennzeichnung II 2G Ex ia IIC T1 ... T6 Gb**

Das Gehäuse oder der Anschlusskopf befindet sich in Zone 1 (oder Zone 2). Der Sensor befindet sich in Zone 1.

#### **Einsatz an der Trennwand zur Zone 0, Kennzeichnung II 1/2G Ex ia IIC T1 ... T6 Ga/Gb**

Das Gehäuse oder der Anschlusskopf befindet sich in Zone 1 (oder Zone 2). Der Sensor befindet sich innerhalb eines Schutzrohres (Wandstärke min. 1 mm) welches über einen Prozessanschluss in Zone 0 hineinragt.

Eine Speisung mit Ex ia-Stromkreisen erfüllt diese Bedingungen. Die Verantwortung dafür obliegt dem Betreiber.

Die zulässigen Umgebungstemperaturen der Fremdfabrikate müssen aus den jeweiligen Zulassungen oder Datenblättern entnommen werden.

Eine Erwärmung im Anschlusskopf findet bei Variante 1 nicht statt. Jedoch ist ein unzulässiger Wärmerückfluss aus dem Prozess, welcher die Betriebstemperatur des Gehäuses oder die Temperaturklasse überschreitet, durch geeignete Wärmeisolierung oder ein entsprechend langes Halsrohr zu verhindern.

### 3.1.2 Variante 2

Das Thermometer wird an bescheinigte Leergehäuse angebaut, in dem eine Elektronik eingebaut ist. Ist das Thermometer mit II 2G Ex ia IIC T1 ... T6 Gb gekennzeichnet, ist es für den Einsatz in der Zone 1 vorgesehen. Ist das Thermometer mit II 1/2G Ex ia IIC T1 ... T6 Ga/Gb gekennzeichnet, ist es für den Einsatz an der Trennwand zu Zone 0 mit einem Schutzrohr vorgesehen.

DE

► ATEX/IECEx Ex ia-Gehäuse oder -Anschlusskopf mit eingebautem Kopftransmitter  
Die Auswertung erfolgt über ein Strom- (4 ... 20 mA), Spannungs- (0 ... 10 V) oder Feldbussignal, welches von einem Kopftransmitter erzeugt wird.

#### **Einsatz in Zone 1, Kennzeichnung II 2G Ex ia IIC T1 ... T6 Gb**

Das Gehäuse oder der Anschlusskopf befindet sich in Zone 1 (oder Zone 2). Der Sensor befindet sich in Zone 1.

#### **Einsatz an der Trennwand zur Zone 0, Kennzeichnung II 1/2G Ex ia IIC T1 ... T6 Ga/Gb**

Das Gehäuse oder der Anschlusskopf befindet sich in Zone 1 (oder Zone 2). Der Sensor befindet sich innerhalb eines Schutzrohres (Wandstärke min. 1 mm) welches über einen Prozessanschluss in Zone 0 hineinragt.

Das Thermometer ist mit einer leistungsbegrenzenden Schaltung zu betreiben.

$P_{\max}$ : 1,5 W

$U_{\max}$ : 30 V

Eine Speisung mit Ex ia-Stromkreisen erfüllt diese Bedingungen. Die Verantwortung dafür obliegt dem Betreiber.

Eine Erwärmung im Anschlusskopf kann bei Variante 2 durch eine fehlerhafte Elektronik stattfinden. Die zulässigen Umgebungstemperaturen richten sich nach den eingesetzten Gehäusen und dem zusätzlich eingebautem Kopftransmitter.

Ein unzulässiger Wärmerückfluss aus dem Prozess welcher die Betriebstemperatur des Transmitters oder Gehäuses überschreitet, ist durch geeignete Wärmeisolierung oder ein entsprechend langes Halsrohr zu verhindern.



### 3.1.3 Variante 3

Das Thermometer wird an bescheinigte Betriebsmittel (Transmitter) angebaut. Das Thermometer ist mit II 2G Ex ia IIC Tx Gb gekennzeichnet, es ist für den Einsatz in der Zone 1 mit einem Schutzrohr vorgesehen. Für einen etwaigen Einsatz an der Trennwand zu Zone 0 mit einem Schutzrohr sind die Zulassungen und Bedingungen der jeweiligen Transmitter zu beachten.

► ATEX/IECEx Ex i-bescheinigte Temperaturtransmitter

Die Auswertung erfolgt über ein Strom- (4 ... 20 mA), Spannung- (0 ... 10 V) oder Feldbus-signal, welches von einem ATEX/IECEx Ex i-bescheinigten Temperaturtransmitter erzeugt wird.

#### Einsatz in Zone 1, Kennzeichnung II 2G Ex ia IIC Gb

Das Gehäuse oder der Anschlusskopf befindet sich in Zone 1 (oder Zone 2). Der Sensor befindet sich in Zone 1.

Die führende Kennzeichnung Typ TR12-B, TC12-B befindet sich auf dem bescheinigten Anschlussgehäuse bzw. Ex i-Feldtransmitter.

Die Module TR12-M und TC12-M sind durch ein Folienschild auf dem Halsrohr gekennzeichnet.

Für einen etwaigen Einsatz an der Trennwand zu Zone 0 mit einem Schutzrohr sind die Zulassungen und Bedingungen der jeweiligen Ex i-Feldtransmitter zu beachten.

### 3.1.4 Verwendung in Methan-Atmosphären

Aufgrund der höheren Grenzspaltweite (MESG) und Mindestzündstrom (MIC) von Methan können die Geräte auch in dadurch verursachten explosionsfähigen Gasatmosphären eingesetzt werden.

U<sub>i</sub> = siehe Zulassung Fremdtransmitter

I<sub>i</sub> = siehe Zulassung Fremdtransmitter

P<sub>i</sub> = siehe Zulassung Fremdtransmitter

L<sub>i</sub> = siehe Zulassung Fremdtransmitter

C<sub>i</sub> = siehe Zulassung Fremdtransmitter

## 3. Inbetriebnahme, Betrieb

### 3.2 Elektrische Montage

#### Einsatz eines Transmitters/ einer Digitalanzeige (Option):

Den Inhalt der zum Transmitter/zur Digitalanzeige gehörenden Betriebsanleitung (siehe Lieferumfang) beachten.

Eingebaute Transmitter/ Digitalanzeigen haben eine eigene EG-Baumusterprüfbescheinigung. Die zulässigen Umgebungstemperaturbereiche eingebauter Transmitter der entsprechenden Transmitterzulassung entnehmen.

Besondere Bedingungen beachten (siehe Kapitel 4 „Besondere Bedingungen für die Verwendung (X-Conditions)“, Punkt 3).

#### Elektrische Anschlusswerte

- Elektrische Daten ohne eingebauten Transmitter oder Digitalanzeige

Kenngrößen	Gerätegruppe II
	Explosionsfähige Gasatmosphäre <sup>1)</sup>
Spannung $U_i$	DC 30 V
Stromstärke $I_i$	550 mA
Leistung $P_i$ (am Sensor)	1,5 W <sup>2) 3)</sup>
Innere wirksame Kapazität $C_i$ von Standardmesseinsätzen nach DIN 43735	Vernachlässigbar
Innere wirksame Induktivität $L_i$ von Standardmesseinsätzen nach DIN 43735	Vernachlässigbar

- 1) Verwendung in Methan-Atmosphären  
Aufgrund der höheren Mindestzündenergie von Methan können die Geräte auch in dadurch verursachte explosionsfähige Gasatmosphären eingesetzt werden.
- 2) Die zulässige Leistung zum Sensor ist abhängig von der Mediumtemperatur  $T_M$ , der Temperaturklasse und des Wärmewiderstandes  $R_{th}$ , höchstens jedoch 1,5 W. Berechnungsbeispiele siehe Kapitel 5 „Berechnungsbeispiele für die Eigenerwärmung an der Schutzrohrspitze“.
- 3) Die zulässige Leistung zum Sensor ist abhängig von der Mediumtemperatur  $T_M$ , der maximal zulässigen Oberflächentemperatur und des Wärmewiderstandes  $R_{th}$ , höchstens jedoch die Werte aus „Tabelle 2“ (Spalte 2), Kapitel 1 „Ex-Kennzeichnung“.

- Elektrische Daten mit eingebautem Transmitter oder Digitalanzeige

$U_i$  = abhängig vom Transmitter/Digitalanzeige

$I_i$  = abhängig vom Transmitter/Digitalanzeige

$P_i$  = im Gehäuse: abhängig vom Transmitter/Digitalanzeige

$C_i$  = abhängig vom Transmitter/Digitalanzeige

$L_i$  = abhängig vom Transmitter/Digitalanzeige

- Elektrische Daten mit eingebautem Transmitter nach dem FISCO-Modell  
Die eingesetzten Transmitter/Digitalanzeigen für den Einsatzbereich entsprechend dem FISCO-Modell gelten als FISCO-Feldgeräte. Es gelten die Anforderungen nach IEC/EN 60079-27 und die Anschlussbedingungen der Zulassungen gemäß FISCO.

### 3.3 Temperaturklasseneinteilung, Umgebungstemperaturen

Die zulässigen Umgebungstemperaturen richten sich nach der Temperaturklasse, den eingesetzten Gehäusen und dem optional eingebauten Transmitter und/oder der Digitalanzeige.

Bei der Zusammenschaltung eines Thermometers mit einem Transmitter und/oder einer Digitalanzeige gelten der jeweils kleinste Wert der Umgebungstemperaturgrenzen und die Temperaturklasse mit der größten Ziffer. Die untere Temperaturgrenze beträgt  $-40\text{ °C}$  [ $-40\text{ °F}$ ], für Sonderausführungen  $-60\text{ °C}$  [ $-76\text{ °F}$ ].

Falls kein Transmitter oder keine Digitalanzeige im Gehäuse montiert ist, findet in diesem auch keine zusätzliche Erwärmung statt. Mit eingebautem Transmitter (optional mit Digitalanzeige) kann eine Erwärmung betriebsbedingt durch den Transmitter oder die Digitalanzeige stattfinden.

Für Anwendungen ohne Transmitter (Digitalanzeige), die Geräte der Gerätegruppe II (explosionsfähige Gasatmosphären) erfordern, gelten folgende Temperaturklasseneinteilung und Umgebungstemperaturbereiche:

Temperaturklasse	Umgebungstemperaturbereich ( $T_a$ )
T1 ... T6	(-50) $-40 \dots +80\text{ °C}$ [(-58) $-40 \dots +176\text{ °F}$ ]

Die zulässigen Umgebungstemperaturen und Oberflächentemperaturen von Fremdfabriken den jeweiligen Zulassungen und/oder Datenblättern entnehmen und beachten.

#### Beispiel

Für Geräte mit Transmitter und Digitalanzeige DIH50 gilt z. B. folgende Begrenzung der Temperaturklasseneinteilung:

Temperaturklasse	Umgebungstemperaturbereich ( $T_a$ )
T6	$-40 \dots +55\text{ °C}$ [ $-40 \dots +131\text{ °F}$ ]

Die zulässigen Umgebungstemperaturen und Oberflächentemperaturen von Fremdfabriken den jeweiligen Zulassungen und/oder Datenblättern entnehmen und beachten.

Die Werte in Klammern gelten für Sonderausführungen. Diese Fühler werden mit besonderen Vergussmassen gefertigt. Weiterhin werden sie mit Anschlussköpfen aus CrNi-Stahl und mit Kabelverschraubungen für den Tieftemperaturbereich ausgestattet.

Diese Thermometer sind laut Zulassung geeignet für die Temperaturklassen T1 ... T6. Dies gilt für Geräte mit oder ohne eingebaute Transmitter und/oder Digitalanzeigen. Hierbei sicherstellen, dass die maximale Umgebungstemperatur für den sicheren Betrieb des Geräts nicht überschritten wird.

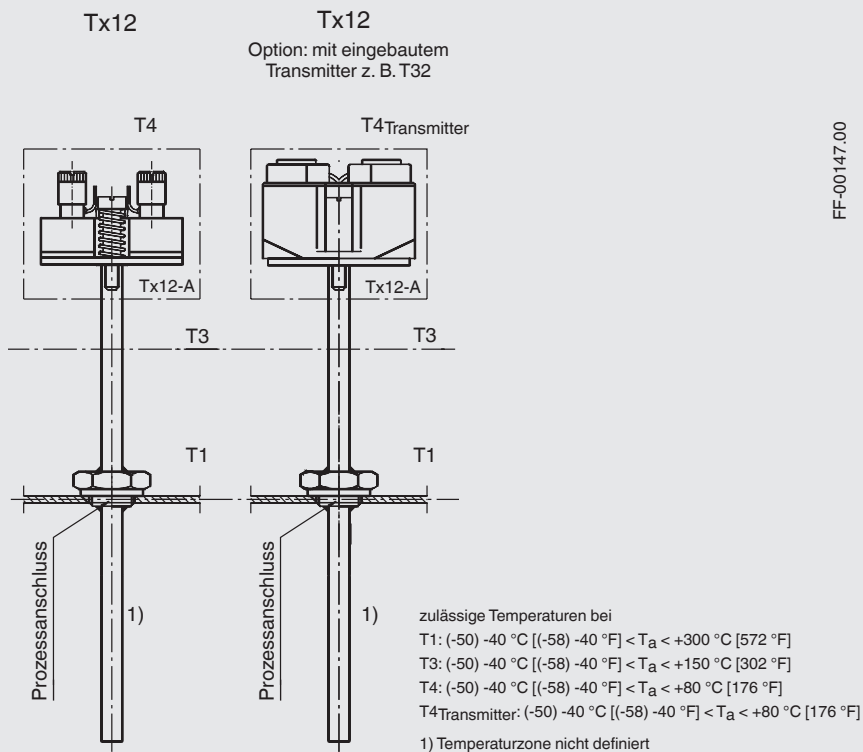
## 3. Inbetriebnahme, Betrieb

### 3.4 Temperaturverschleppung aus dem Prozess

Wärmerückfluss aus dem Prozess verhindern!

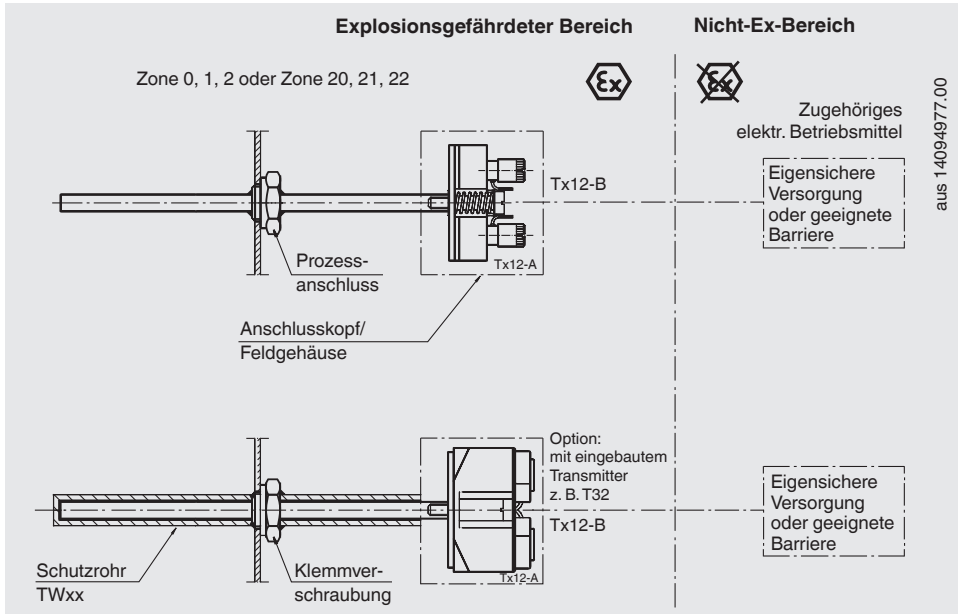
Besondere Bedingungen beachten (siehe Kapitel 4 „Besondere Bedingungen für die Verwendung (X-Conditions)“, Punkt 4).

### 3.5 Übersicht der Temperaturzonen



## 3.6 Montagebeispiele

### 3.6.1 Mögliche Einbaumethoden mit der Markierung II 1G Ex ia IIC T6 Ga bzw. II 1D Ex ia IIIC T65 °C Da



aus 14094977.00

DE

Der Fühler samt Gehäuse oder Anschlusskopf befindet sich in Zone 0 (Zone 20). Es ist ein Stromkreis vom Typ Ex ia zu verwenden. Anschlussköpfe/Gehäuse aus Aluminium sind in Zone 0 normalerweise nicht zulässig. WIKA empfiehlt an dieser Stelle Anschlussköpfe/Gehäuse aus CrNi-Stahl.

#### Schutzmaßnahmen für Anwendungen, die EPL Ga oder Da erfordern:

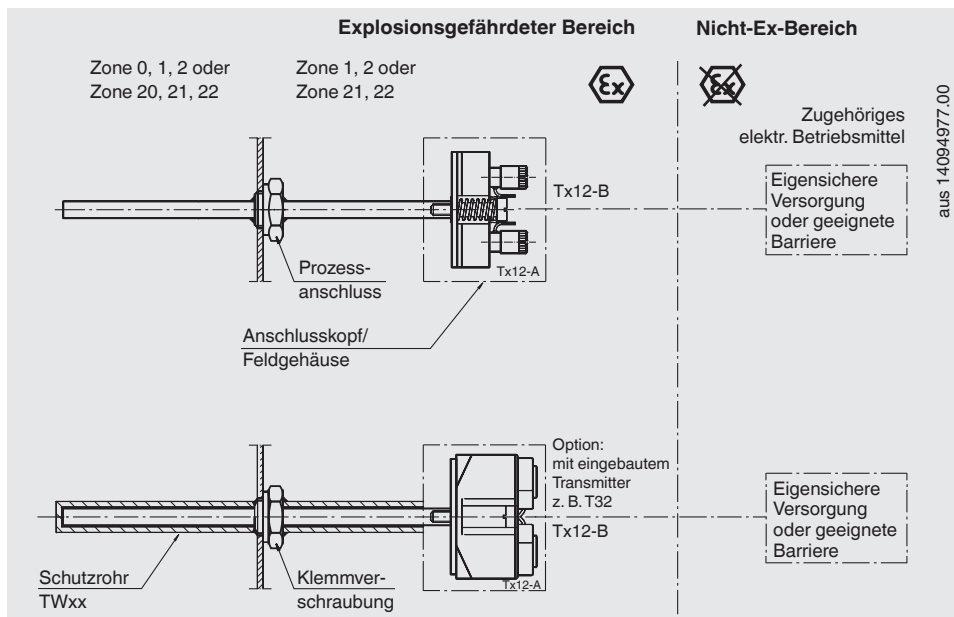
Für den Fall, dass Leichtmetallgehäuse in Zone 0 eingesetzt werden, gelten folgende Schutzmaßnahmen:

Betriebsbedingte Reibung oder Stöße zwischen Geräteteilen aus Leichtmetall oder deren Legierungen (z. B. Aluminium, Magnesium, Titanium oder Zirkonium) mit Geräteteilen aus Eisen/Stahl sind nicht zulässig. Betriebsbedingte Reibungen oder Stöße zwischen Leichtmetallen sind erlaubt.

Besondere Bedingungen beachten (siehe Kapitel 4 „Besondere Bedingungen für die Verwendung (X-Conditions)“, Punkt 5 und 7).

### 3. Inbetriebnahme, Betrieb

#### 3.6.2 Mögliche Einbaumethoden mit Markierung II 1/2G Ex ia IIC T1 ... T6 Ga/Gb bzw. II 1/2D Ex ia IIIC T65 ... T125 °C Da/Db



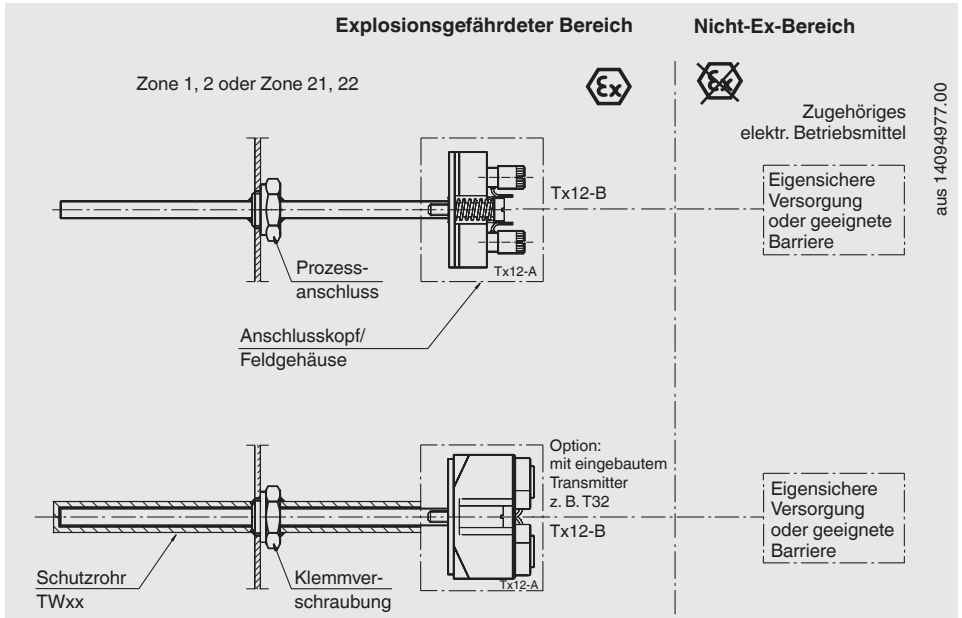
Die Fühler- oder Schutzrohrspitze ragt in Zone 0 hinein. Das Gehäuse oder Anschlusskopf befindet sich in Zone 1 (Zone 21) oder Zone 2 (Zone 22). Es ist ausreichend, einen Stromkreis vom Typ Ex ib zu verwenden.

Eine Zonentrennung ist gewährleistet, wenn ausreichend dichte (IP66 oder IP67) Prozessanschlüsse verwendet werden.

Geeignete Prozessanschlüsse sind beispielsweise gasdichte genormte Industrieflansche, Gewindeanschlüsse oder Rohranschlüsse.

Die benutzten Prozessanschlüsse, Schutzrohre oder Gehäuse müssen so ausgelegt sein, dass sie allen durch den Prozess entstehenden Einflüssen wie zum Beispiel Temperatur, Durchflusskräften, Druck, Korrosion, Schwingung und Stößen widerstehen.

## 3.6.3 Mögliche Einbaumethoden mit der Markierung II 2G Ex ia IIC T1 ... T6 Gb bzw. II 2D Ex ia IIIC T65 ... T125 °C Db




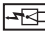
## 3.6.4 Trennwände für die Anwendung in der Zone 0 oder Zone 1/2 oder Trennung zwischen explosionsgefährdetem und sicherem Bereich

Falls die Wandstärke unter 1 mm liegt, dann muss das Gerät ebenfalls mit einem „X“ oder einem Sicherheitshinweis nach 29.2 der IEC/EN 60079-0 gekennzeichnet werden, mit der speziellen Bedingung für den sicheren Gebrauch, dass es keinen Umgebungsbeanspruchungen ausgesetzt wird, die die Trennwand nachteilig beeinträchtigen können. Wenn die Trennwand ständig in Schwingungen versetzt wird (z. B. schwingende Membranen), muss die minimale Dauerschwingfestigkeit bei maximaler Amplitude in der Dokumentation angegeben werden (vgl. Abschnitt 4.2.5.2, IEC/EN 60079-26).

Besondere Bedingungen beachten (siehe Kapitel 4 „Besondere Bedingungen für die Verwendung (X-Conditions)“, Punkt 5).

Alternativ kann vom Kunden ein Schutzrohr mit entsprechender Mindestwandstärke eingesetzt werden. Hierzu die besonderen Bedingungen beachten (siehe Kapitel 4 „Besondere Bedingungen für die Verwendung (X-Conditions)“, Punkt 6).

### 4. Besondere Bedingungen für die Verwendung (X-Conditions)

- 1) Versionen mit  $\varnothing < 3$  mm oder „nicht isolierte“  Versionen entsprechen nicht Abschnitt 6.3.13, IEC/EN 60079-11. Dadurch sind diese eigensicheren Stromkreise aus sicherheitstechnischer Sicht als mit dem Erdpotential galvanisch verbunden anzusehen („quasi geerdet“ ) und es muss im gesamten Verlauf der Errichtung der eigensicheren Stromkreise Potentialausgleich bestehen. Außerdem sind für den Anschluss gesonderte Bedingungen nach IEC/EN 60079-14 zu beachten.
- 2) An Geräten, die aufgrund ihrer Bauart nicht den elektrostatischen Anforderungen nach IEC/EN 60079-0 und IEC/EN 60079-26 entsprechen, müssen elektrostatische Aufladungen vermieden werden.
- 3) Eingesetzte Transmitter/Digitalanzeigen müssen eine eigene EG-Baumusterprüfbescheinigung entsprechend IEC/EN besitzen. Es sind die Installationsbedingungen, die elektrischen Anschlussgrößen, die Temperaturklassen bzw. maximalen Oberflächentemperaturen bei Geräten zur Verwendung in explosionsfähigen Staubatmosphären und zulässigen Umgebungstemperaturen den entsprechenden EG-Baumusterprüfbescheinigungen zu entnehmen und einzuhalten.
- 4) Ein Wärmerückfluss aus dem Prozess, welcher die zulässige Umgebungstemperatur des Transmitters, der Digitalanzeige oder des Gehäuses überschreitet, ist nicht zulässig und durch geeignete Wärmeisolierung oder ein entsprechend langes Halsrohr zu verhindern.
- 5) Falls die Wandstärke unter 1 mm liegt, dürfen die Geräte keinen Umgebungsbeanspruchungen ausgesetzt werden, die die Trennwand nachteilig beeinträchtigen können. Alternativ kann ein Schutzrohr mit entsprechender Mindestwandstärke eingesetzt werden.
- 6) Bei Verwendung eines Schutzrohres/Halsrohres muss das Gesamtgerät so konstruiert sein, dass ein Einbau in einer Art möglich ist, die zu einem genügend dichten Spalt (IP66 oder IP67) oder einem zünddurchschlagsicheren Spalt (IEC/EN 60079-1) hin zum weniger gefährdeten Bereich führt.
- 7) *Nicht relevant für dieses Gerät (siehe X-Conditions in EG-Baumusterprüfbescheinigung)*
- 8) Für die Verwendung von Gehäusen müssen diese entweder über eine entsprechende eigene EG-Baumusterprüfbescheinigung verfügen oder den minimalen Anforderungen entsprechen.  
IP-Schutz: mindestens IP20 (mindestens IP6x für Staub), gilt für alle Gehäuse  
Leichtmetallgehäuse müssen den entsprechenden Abschnitten der anwendbaren Normen entsprechen. Zusätzlich müssen nicht metallische Gehäuse oder pulverbeschichtete Gehäuse den elektrostatischen Anforderungen der anwendbaren Normen entsprechen oder einen entsprechenden Warnhinweis besitzen.



## 4. Besondere Bedingungen für die Verwendung (X-Conditions)

- 9) Zugängliche Teile von nicht geerdeten Metallgehäusen und zugängliche Teile von Metallgehäusen, die geerdet sind, aber nicht Abschnitt 6.5 aus IEC/EN 60079-11 entsprechen, müssen Abschnitt 7.5 aus IEC/EN 60079-0 entsprechen oder mit einem entsprechenden Warnhinweis versehen sein.
- 10) Wenn es nicht möglich ist den Umgebungstemperaturbereich in der Kennzeichnung des Geräts anzugeben, weil es sich bei dem Gerät um ein kleines Gerät gemäß Abschnitt 29.10 aus IEC/EN 60079-0 handelt, so ist der Umgebungstemperaturbereich in der mit dem Gerät gelieferten Betriebsanleitung anzugeben. Wenn es sich bei dem Gerät nicht um ein kleines Gerät gemäß Abschnitt 29.10 aus IEC/EN 60079-0 handelt, so muss die Kennzeichnung des Geräts zusätzlich ein Hinweis auf die mitgelieferte Betriebsanleitung enthalten.

### **Schutzmaßnahmen für Anwendungen, die EPL Ga oder Da erfordern:**

Betriebsbedingte Reibung oder Stöße zwischen Geräteteilen aus Leichtmetall oder deren Legierungen (z. B. Aluminium, Magnesium, Titanium oder Zirkonium) mit Geräteteilen aus Eisen/Stahl sind nicht zulässig. Betriebsbedingte Reibungen oder Stöße zwischen Leichtmetallen sind erlaubt.

DE

### 5. Berechnungsbeispiele für die Eigenerwärmung an der Schutzrohrspitze

Die Eigenerwärmung an der Schutzrohrspitze hängt ab vom Sensortyp (TC/RTD), dem Messeinsatzdurchmesser und der Bauart des Schutzrohres. Die nachstehende Tabelle zeigt die möglichen Kombinationen. Die Erwärmung an der Sensorspitze des blanken Messeinsatzes ist deutlich höher, auf die Darstellung dieser Werte wurde aufgrund des notwendigen Zusammenbaus mit einem Schutzrohr verzichtet.

Aus der Tabelle ist ersichtlich, dass Thermoelemente eine deutlich geringere Eigenerwärmung erzeugen als Widerstandsthermometer.

#### Wärmewiderstand [ $R_{th}$ in K/W]

Sensortyp	RTD		TC	
	3,0 - < 6,0	6,0 - ≤ 8,0	3,0 - < 6,0	6,0 - ≤ 8,0
<b>Mit Schutzrohr - mehrteilig</b> (gerade und verjüngt), z. B. TW35, TW40 usw.	60	37	11	2,5
<b>Mit Schutzrohr - Vollmaterial</b> (gerade und verjüngt), z. B. TW10, TW15, TW20, TW25, TW30 usw.	22	16	4	1
<b>Eingebaut in ein Sackloch</b> (Mindestwandstärke 5 mm [0,197 in])	22	16	4	1

#### 5.1 Beispielsberechnung für die Variante 2 mit TC-Sensor

Unter den gleichen Bedingungen ergibt sich ein geringerer Wert für die Eigenerwärmung, da sich die zugeführte Leistung nicht nur an der Fühlerspitze umsetzt, sondern über die gesamte Länge eines Messeinsatzes.

Wärmewiderstand [ $R_{th}$  in K/W] aus Tabelle = 3 K/W

Eigenerwärmung:  $0,8 \text{ W} \cdot 3 \text{ K/W} = 2,4 \text{ K}$

$T_{max} = T_M + \text{Eigenerwärmung: } 150 \text{ °C [302 °F]} + 2,4 \text{ °C [36 °F]} = 152,4 \text{ °C [306 °F]}$

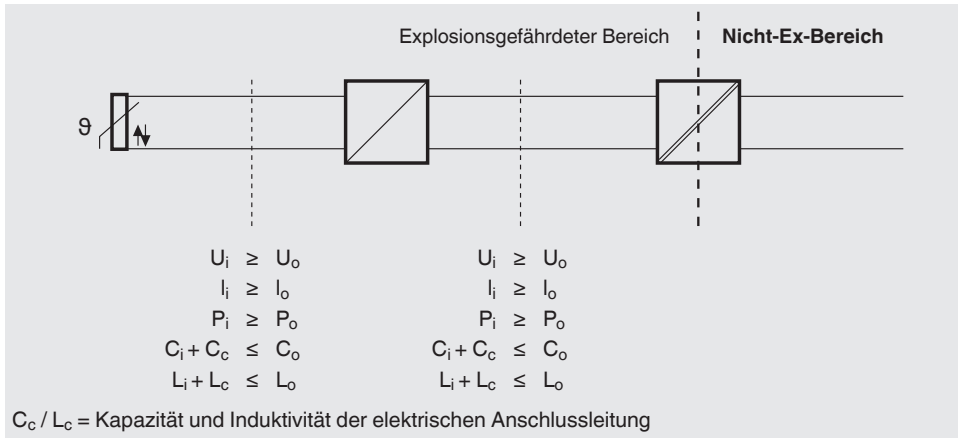
Als Sicherheitsabstand für baumustergeprüfte Geräte (für T6 bis T3) müssen von den  $200 \text{ °C [392 °F]}$  noch  $5 \text{ °C [41 °F]}$  subtrahiert werden, es wären  $195 \text{ °C [383 °F]}$  zulässig. Somit wird in diesem Fall die Temperaturklasse T3 nicht überschritten.

In diesem Beispiel wird deutlich dass hier die Eigenerwärmung fast vernachlässigbar ist.

# 5. Berechnungsbeispiele für die Eigenerwärmung an der ...

## 5.2 Eigensicherheitsnachweis

### Sensor mit Transmitter und Barriere



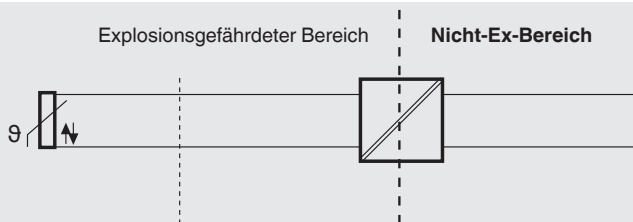
DE

Vereinfachter Nachweis der Eigensicherheit für oben genannte Kombination

Messeinsatz		Kopftransmitter		Speisetrenner
$U_i$ : DC 30 V	$\geq$	$U_o$ : DC 6,5 V	$U_i$ : DC 30 V	$\geq$ $U_o$ : DC 25,4 V
$I_i$ : 550 mA	$\geq$	$I_o$ : 9,3 mA	$I_i$ : 130 mA	$\geq$ $I_o$ : 88,2 mA
$P_i$ (max.) am Sensor: 1,5 W	$\geq$	$P_o$ : 15,2 mW	$P_i$ : 800 mW	$\geq$ $P_o$ : 560 mW
$C_i$ : vernachlässigbar	$\leq$	$C_o$ : 24 $\mu$ F	$C_i$ : 7,8 nF	$\leq$ $C_o$ : 93 nF
$L_i$ : vernachlässigbar	$\leq$	$L_o$ : 365 mH	$L_i$ : 100 $\mu$ H	$\leq$ $L_o$ : 2,7 mH

Durch den Vergleich der Werte ist ersichtlich dass die Zusammenschaltung dieser Geräte zulässig ist. Allerdings müssen durch den Betreiber die Werte für die Induktivität und der Kapazität der elektrischen Anschlussleitungen noch berücksichtigt werden.

## Sensor ohne Transmitter, mit Barriere



$$\begin{aligned}
 U_i &\geq U_o \\
 I_i &\geq I_o \\
 P_i &\geq P_o \\
 C_i + C_c &\leq C_o \\
 L_i + L_c &\leq L_o
 \end{aligned}$$

$C_c / L_c$  = Kapazität und Induktivität der elektrischen Anschlussleitung

Vereinfachter Nachweis der Eigensicherheit für oben genannte Kombination

Messeinsatz		Zenerbarriere Z954	
$U_i$ : DC 30 V	$\geq$	$U_o$ : DC 9 V	$U_m$ : AC 250 V
$I_i$ : 550 mA	$\geq$	$I_o$ : 510 mA	$I_j$ : n. a.
$P_i$ (max.) am Sensor: 1,5 W	$\geq$	$P_o$ : 1.150 mW	$P_j$ : n. a.
$C_j$ : vernachlässigbar	$\leq$	$C_o$ : 4,9 $\mu$ F	$C_i$ : n. a.
$L_j$ : vernachlässigbar	$\leq$	$L_o$ : 0,12 mH	$L_j$ : n. a.

n. a. = nicht anwendbar

Durch den Vergleich der Werte ist ersichtlich dass die Zusammenschaltung dieser Geräte zulässig ist. Allerdings müssen durch den Betreiber die Werte für die Induktivität und der Kapazität der elektrischen Anschlussleitungen noch berücksichtigt werden.

Diese Berechnungen gelten für die Zenerbarriere Z954 in Verbindung mit einem Widerstandsthermometer Pt100 im 3-kanaligen Betrieb ohne Erdverbindung, d. h. symmetrischer Betrieb des Widerstandsthermometers in 3-Leiter Schaltung an einer Anzeige oder Auswerteeinheit.



DE

## EU-Konformitätserklärung EU Declaration of Conformity

**Dokument Nr.:** 14031790.05  
**Document No.:**

Wir erklären in alleiniger Verantwortung, dass die mit CE gekennzeichneten Produkte  
*We declare under our sole responsibility that the CE marked products*

**Typenbezeichnung:** TR12-B-ZZZ, TR12-M-ZZZ, TR12-A-ZZZ;  
**Type Designation:** TC12-B-ZZZ, TC12-M-ZZZ, TC12-A-ZZZ;  
TR12-B-\*(1, 2, 4), TR12-M-\*(1, 2, 4), TR12-A-\*(1, 2, 4);  
TC12-B-\*(1, 2, 4), TC12-M-\*(1, 2, 4), TC12-A-\*(1, 2, 4);  
TR12-B-\*(1, 3), TR12-M-\*(1, 3), TC12-B-\*(1, 3), TC12-M-\*(1, 3);

**Beschreibung:** Prozessthermometer Typ TR12 und TC12 zum Einbau in ein Schutzrohr  
**Description:** Process thermometer model TR12 and TC12 for additional thermowell

gemäß gültigem Datenblatt:  
*according to the valid data sheet:* TE 60.16, TE 60.17, TE 65.16, TE 65.17

mit den nachfolgenden relevanten Harmonisierungsvorschriften der Union  
übereinstimmen:  
*are in conformity with the following relevant Union harmonization  
legislation:*

Angewandte harmonisierte Normen:  
*Applied harmonised standards:*

2011/65/EU	Gefährliche Stoffe (RoHS) <i>Hazardous substances (RoHS)</i>	EN IEC 63000:2018
2014/30/EU	Elektromagnetische Verträglichkeit (EMV) <i>Electromagnetic Compatibility (EMC)</i>	EN 61326-1:2013 <sup>(5)</sup> EN 61326-2-3:2013 <sup>(5)</sup>
2014/34/EU	Explosionsschutz (ATEX) <sup>(1, 2, 3, 4)</sup> <i>Explosion protection (ATEX)</i> <sup>(1, 2, 3, 4)</sup>	Refer to annex

- (1) Die folgenden Buchstaben für die Ex-Zertifizierung ersetzen den Platzhalter \*:  
*The following letters for the Ex certification replace the placeholder \*:*  
A, B, C, D, E, F, G, H, I, J, K, L, M, O, P, Q, R, S, T, U, V, W, X, Y
- (2) EG-Baumusterprüfbescheinigung TÜV 10 ATEX 555793 X von TÜV NORD CERT GmbH (Reg.-Nr. 0044)  
*EC type-examination certificate TÜV 10 ATEX 555793 X of TÜV NORD CERT GmbH (Reg. no. 0044)*
- (3) EU-Baumusterprüfbescheinigung BVS 07 ATEX E 071 X von DEKRA Testing and Certification GmbH (Reg. Nr. 0158)  
*EU type examination certificate BVS 07 ATEX E 071 X of DEKRA Testing and Certification GmbH (Reg. No. 0158)*
- (4) Modul A, interne Fertigungskontrolle  
*Module A, internal control of production*
- (5) Gilt nur mit eingebautem WIKA Transmitter. Werden Transmitter von anderen Herstellern verwendet, können diese anderen Normen entsprechen. Es sind dann die mitgelieferten Anleitungen und EU-Konformitätserklärungen dieser Transmitter zu beachten.  
*Applies only to built-in WIKA transmitter. When using transmitters of other manufacturers, other standards may apply. The instructions and EU Declarations of Conformity supplied with these transmitters must then be observed.*

Unterszeichnet für und im Namen von / *Signed for and on behalf of*

**WIKAI Alexander Wiegand SE & Co. KG**  
Klingenberg, 2022-11-02

Stefan Heidinger, Vice President  
Electrical Temperature Measurement

WIKAI Alexander Wiegand SE & Co. KG  
Alexander-Wiegand-Straße 30  
63911 Klingenberg  
Germany  
WEEE-Reg.-Nr. DE 92770372

Tel. +49 9372 132-0  
Fax +49 9372 132-406  
E-Mail info@wikai.de  
www.wikai.de

Kommanditgesellschaft, Sitz Klingenberg =  
Amtsgericht Aschaffenburg HRA 1819

Roland Stapf, Head of Quality Management  
Process Instrumentation Corporate Quality

Komplementär:  
WIKAI International SE - Sitz Klingenberg -  
Amtsgericht Aschaffenburg HRB 10505  
Vorstand: Alexander Wiegand  
Vorsitzender des Aufsichtsrats: Prof. Dr. Roderich C. Thümmel  
19AR-03458



# Sommaire

<b>1. Marquage Ex</b>	<b>48</b>
<b>2. Sécurité</b>	<b>50</b>
<b>3. Mise en service, utilisation</b>	<b>52</b>
<b>4. Conditions spécifiques d'utilisation (conditions X)</b>	<b>62</b>
<b>5. Exemples de calculs pour auto-échauffement à l'extrémité du doigt de gant</b>	<b>64</b>
<b>Annexe : Déclaration de conformité UE</b>	<b>67</b>

Déclarations de conformité disponibles sur [www.wika.fr](http://www.wika.fr).

# 1. Marquage Ex

## Documentation supplémentaire :

- ▶ Ces informations complémentaires concernant les zones explosives s'appliquent en conjonction avec le mode d'emploi "Sonde à résistance TR12 et thermocouple TC12" (numéro d'article 14064370).

## 1. Marquage Ex

FR



### DANGER !

#### Danger vital dû à la perte de la protection contre les explosions

Le non respect de ces instructions et de leurs contenus peut entraîner une perte de la protection contre les explosions.

- ▶ Observer les instructions de sécurité de ce chapitre et les autres instructions liées aux explosions de ce mode d'emploi.
- ▶ Respecter les exigences de la directive ATEX.
- ▶ Respecter les indications du certificat d'examen de type valable de même que les prescriptions nationales respectives concernant le montage et l'utilisation en zone explosive (par exemple CEI 60079-11, CEI 60079-10 et CEI 60079-14).

Contrôler que la classification est adaptée à l'application. Observer les réglementations nationales concernées.

### ATEX

II 1G	Ex ia IIC T1 ... T6 Ga
II 1/2G	Ex ia IIC T1 ... T6 Ga/Gb
II 2G	Ex ia IIC T1 ... T6 Gb
II 1D	Ex ia IIIC T1 ... T6 Da
II 1/2D	Ex ia IIIC T1 ... T6 Da/Db
II 2D	Ex ia IIIC T1 ... T6 Db

### IECEx

Ex ia IIC T1 ... T6 Ga
Ex ia IIC T1 ... T6 Ga/Gb
Ex ia IIC T1 ... T6 Gb
Ex ia IIIC T1 ... T6 Da
Ex ia IIIC T1 ... T6 Da/Db
Ex ia IIIC T1 ... T6 Db



# 1. Marquage Ex

Pour les applications sans transmetteur (affichages numériques) qui requièrent des instruments du groupe II (atmosphères gazeuses potentiellement explosives), la classification de classe de température et les plages de température ambiante suivantes s'appliquent :

Tableau 1

Marquage		Classe de température	Plage de température ambiante ( $T_a$ )	Température maximale de surface ( $T_{max}$ ) au capteur ou à l'extrémité du doigt de gant
ATEX	IECEX			
II 1G	Ex ia IIC T1 ... T6 Ga	T1 ... T6	(-50) <sup>1)</sup> -40 ... +80 °C [(-58) <sup>1)</sup> -40 ... +176 °F]	$T_M$ (température du fluide) + auto-échauffement  Pour ceci, il faut observer les conditions spéciales (voir chapitre 4 "Conditions spécifiques d'utilisation (conditions X)").
II 1/2G	Ex ia IIC T1 ... T6 Ga/Gb			
II 2G	Ex ia IIC T1 ... T6 Gb			

FR

Pour les applications qui requièrent des instruments du Groupe II (atmosphères poussiéreuses potentiellement explosives), les températures de surface suivantes et les plages de température ambiante suivantes s'appliquent :

Tableau 2

Marquage		Puissance $P_i$	Plage de température ambiante ( $T_a$ )	Température maximale de surface ( $T_{max}$ ) au capteur ou à l'extrémité du doigt de gant
ATEX	IECEX			
II 1D	Ex ia IIIC T1 ... T6 Da	750 mW	(-50) <sup>1)</sup> -40 ... +40 °C [(-58) <sup>1)</sup> -40 ... +104 °F]	$T_M$ (température du fluide) + auto-échauffement  Pour ceci, il faut observer les conditions spéciales (voir chapitre 4 „Conditions spécifiques d'utilisation (conditions X)").
II 1/2D	Ex ia IIIC T1 ... T6 Da/Db			
II 2D	Ex ia IIIC T1 ... T6 Db			
II 1D	Ex ia IIIC T1 ... T6 Da	650 mW	(-50) <sup>1)</sup> -40 ... +70 °C [(-58) <sup>1)</sup> -40 ... +158 °F]	$T_M$ (température du fluide) + auto-échauffement  Pour ceci, il faut observer les conditions spéciales (voir chapitre 4 „Conditions spécifiques d'utilisation (conditions X)").
II 1/2D	Ex ia IIIC T1 ... T6 Da/Db			
II 2D	Ex ia IIIC T1 ... T6 Db			
II 1D	Ex ia IIIC T1 ... T6 Da	550 mW	(-50) <sup>1)</sup> -40 ... +80 °C [(-58) <sup>1)</sup> -40 ... +176 °F]	$T_M$ (température du fluide) + auto-échauffement  Pour ceci, il faut observer les conditions spéciales (voir chapitre 4 „Conditions spécifiques d'utilisation (conditions X)").
II 1/2D	Ex ia IIIC T1 ... T6 Da/Db			
II 2D	Ex ia IIIC T1 ... T6 Db			

1) Les valeurs entre parenthèses s'appliquent aux conceptions spéciales. Ces capteurs sont fabriqués en utilisant des composants spéciaux pour le scellement. De plus, ils sont munis de boîtiers en acier inox et de presse-étoupes pour des plages de température basse.

Lorsqu'il y a un transmetteur intégré et/ou un affichage numérique, les conditions spéciales contenues dans le certificat d'examen de type (voir chapitre 4 „Conditions spécifiques d'utilisation (conditions X)“) s'appliquent.

## Utilisation dans les atmosphères contenant du méthane

À cause du courant d'ignition minimum du méthane qui est plus fort, les instruments peuvent aussi être utilisés là où le méthane crée une atmosphère gazeuse potentiellement explosive. L'instrument peut, en option, être marqué IIC + CH4.

Pour les applications qui requièrent EPL Gb or Db, les instruments marqués avec "ia" peuvent aussi être utilisés dans les circuits de mesure de type "ib".

FR

## 2. Sécurité

### 2.1 Explication des symboles



#### **DANGER !**

... indique une situation en zone explosive présentant des risques susceptibles de provoquer la mort ou des blessures graves si elle n'est pas évitée.

### 2.2 Utilisation conforme à l'usage prévu

Les thermomètres décrits ici conviennent à des fins de mesure de la température en zone explosive.

Le non-respect des instructions pour utilisation en zones explosives peut conduire à la perte de la protection contre les explosions. Correspondre aux valeurs limites et instructions suivantes (voir fiche technique).

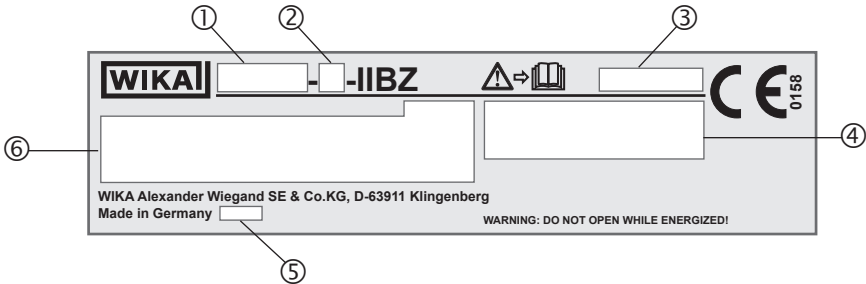
### 2.3 Responsabilité de l'opérateur

La classification des zones est une responsabilité qui incombe au gestionnaire du site et non au fabricant/fournisseur de l'équipement.

### 2.4 Qualification du personnel

Le personnel qualifié en électricité doit avoir les connaissances requises des types de protection contre l'ignition, des réglementations et dispositions concernant les équipements en zones explosives.

### 2.5 Etiquetage, marquages de sécurité






#### Plaque signalétique (exemple)

- ① Type
- ② A = insert de mesure  
B = thermomètre de process  
M = module de base
- ③ Numéro de série
- ④ Données d'agrément liées
- ⑤ Année de fabrication
- ⑥ ■ Informations concernant la version (élément de mesure, étendue de mesure ...)

Capteur conforme à la norme (sonde à résistance)

- F = Résistance de mesure à couche mince
- W = Résistance de mesure bobinée

Capteur conforme à la norme (thermocouple)

- isolé  = soudure isolée
- non isolé  = soudé à la tige (non isolé)
- quasi non isolé  = Le thermomètre doit, en raison de ses faibles distances d'isolement entre le capteur de résistance et la gaine, être considéré comme mis à la terre.

- Type de transmetteur (uniquement pour version avec transmetteur)



Lire impérativement le mode d'emploi avant le montage et la mise en service de l'instrument !



### 3.1 Consignes de sécurité pour les différentes exécutions

#### 3.1.1 Exécution 1

Le thermomètre est équipé d'un boîtier certifié dans lequel le bloc à bornes est monté. Si la sonde est marquée par II 2G Ex ia IIC T1 ... T6 Gb, alors il est conçu pour l'utilisation en zone 1. Si la sonde est marquée par II 1/2G Ex ia IIC T1 ... T6 Ga/Gb, alors elle est conçue pour l'utilisation avec un doigt de gant en zone 0.

- Boîtier ou tête de raccordement ATEX/IECEX (avec des bornes de raccordement, sans transmetteur)

Évaluation de la résistance ou de la tension thermo-électrique avec une installation électronique située en-dehors de la zone explosive.

#### Utilisation en zone 1, marquage II 2G Ex ia IIC T1 ... T6 Gb

Le boîtier ou la tête de raccordement se trouve en zone 1 (ou zone 2). Le capteur est positionné en zone 1.

#### Utilisation en zone 0, marquage II 1/2G Ex ia IIC T1 ... T6 Ga/Gb

Le boîtier ou la tête de raccordement se trouve en zone 1 (ou zone 2). Le capteur est à l'intérieur d'un doigt de gant (épaisseur minimale de paroi 1 mm) qui s'étend jusqu'à la zone 0 par un raccord process.

Une alimentation par le circuit électrique Ex ia remplit ces conditions. La responsabilité incombe à l'opérateur.

Les températures ambiantes admissibles pour des produits tiers peuvent être vues dans les approbations récentes ou les fiches techniques.

Il n'y a pas de chauffage dans la tête de raccordement sur l'exécution 1. Toutefois, un reflux de chaleur inadmissible, pouvant excéder la température de fonctionnement du boîtier ou la classe de température, doit être empêché par une isolation adéquate contre la chaleur ou une extension suffisamment longue.

#### 3.1.2 Exécution 2

Le thermomètre est monté dans des boîtiers certifiés qui intègrent un ensemble électronique. Si la sonde est marquée par II 2G Ex ia IIC T1 ... T6 Gb, alors elle est conçue pour l'utilisation en zone 1. Si le thermomètre est marqué par II 1/2G Ex ia IIC T1 ... T6 Ga/Gb, alors il est conçu pour l'utilisation avec un doigt de gant en zone 0.

- Boîtier ou tête de raccordement ATEX/IECEX Ex ia avec transmetteur incorporé  
L'évaluation est faite par un courant (4 ... 20 mA), une tension (0 ... 10 V) ou un bus de terrain, qui est généré depuis un transmetteur monté dans la tête.

## 3. Mise en service, utilisation

### Utilisation en zone 1, marquage II 2G Ex ia IIC T1 ... T6 Gb

Le boîtier ou la tête de raccordement se trouve en zone 1 (ou zone 2). Le capteur est positionné en zone 1.

### Utilisation en zone 0, marquage II 1/2G Ex ia IIC T1 ... T6 Ga/Gb

Le boîtier ou la tête de raccordement se trouve en zone 1 (ou zone 2). Le capteur est à l'intérieur d'un doigt de gant (épaisseur minimale de paroi 1 mm) qui s'étend jusqu'à la zone 0 par un raccord process.

Le thermomètre doit être utilisé avec un circuit de limitation de puissance.

$P_{\max}$  : 1,5 W

$U_{\max}$  : 30 V

FR

Une alimentation par le circuit électrique Ex ia remplit ces conditions. La responsabilité incombe à l'opérateur.

Un chauffage dans la tête de raccordement peut se produire avec l'exécution 2 à cause d'une électronique défectueuse. Les températures admissibles dépendent du boîtier utilisé et de tout transmetteur monté en tête posé en supplément.

Toutefois, un reflux de chaleur inadmissible, pouvant excéder la température de fonctionnement du boîtier ou la classe de température, doit être empêché par une isolation adéquate contre la chaleur ou une extension suffisamment longue.

### 3.1.3 Exécution 3

Le thermomètre est installé sur un équipement certifié (transmetteur). Si le thermomètre est marqué par II 2G Ex ia IIC Tx Gb, alors il est conçu pour l'utilisation dans la zone 1 avec un doigt de gant. Pour toute utilisation éventuelle d'un doigt de gant sur la partition vers la zone 0, les autorisations et conditions pour les transmetteurs pertinents doivent être respectées.

► Transmetteurs de température certifiés ATEX/IECEx Ex i

L'évaluation est effectuée avec un courant (4 à 20 mA), une tension (de 0 à 10 V) ou un bus de terrain, qui est généré par un transmetteur de température certifié ATEX/IECEx Ex i.

### Utilisation en zone 1, marquage II 2G Ex ia IIC Gb

Le boîtier ou la tête de raccordement se trouve en zone 1 (ou zone 2). Le capteur est positionné en zone 1.

Les marquages principaux pour les types TR12-B et TC12-B se trouvent sur le boîtier de raccordement certifié ou le transmetteur de champ Ex i.

Les modules TR12-M et TC12-M sont marqués à travers une plaque mince sur l'extension. Pour une utilisation éventuelle d'un doigt de gant sur la partition vers la zone 0, les autorisations et conditions pour les transmetteurs de champ Ex i pertinents doivent être respectées.

### 3.1.4 Utilisation dans les atmosphères contenant du méthane

De par l'écart minimal de sécurité (MESG) et le Courant minimum d'allumage (MIC) du méthane, les instruments peuvent également être utilisés dans des atmosphères gazeuses potentiellement explosives .

$U_i$  = voir agrément du transmetteur pour les tiers

$I_i$  = voir agrément du transmetteur pour les tiers

$P_i$  = voir agrément du transmetteur pour les tiers

$L_i$  = voir agrément du transmetteur pour les tiers

$C_i$  = voir agrément du transmetteur pour les tiers

### 3.2 Montage électrique

#### Si l'on utilise un transmetteur ou un afficheur (option) :

il faut observer le contenu de la notice d'utilisation ainsi que celle du transmetteur/afficheur numérique (voir le détail de la livraison).

Les transmetteurs ou afficheurs intégrés disposent de leur propre certificat d'examen de type CE. Les plages de température ambiante autorisées des transmetteurs intégrés peuvent être prises dans l'agrément du transmetteur correspondant.

Observer les conditions spéciales (voir chapitre 4 „Conditions spécifiques d'utilisation (conditions X)“, point 3).

#### Valeurs de raccordement électrique

- Caractéristiques électriques sans transmetteur ou écran numérique

### 3. Mise en service, utilisation

Paramètres	Groupe d'instruments II
	Atmosphère gazeuse potentiellement explosive <sup>1)</sup>
Tension $U_i$	30 VDC
Courant $I_i$	550 mA
Puissance $P_i$ (au capteur)	1,5 W <sup>2) 3)</sup>
Capacité interne effective $C_i$ des inserts de mesure standard en conformité avec DIN 43735	Négligeable
Conductivité interne effective $L_i$ des inserts de mesure standard en conformité avec of DIN 43735	Négligeable

FR

- 1) Utilisation dans les atmosphères contenant du méthane  
À cause de l'énergie d'ignition minimum du méthane qui est plus forte, les instruments peuvent aussi être utilisés là où le méthane crée une atmosphère gazeuse potentiellement explosive.
- 2) La puissance admissible sur le capteur dépend de la température du fluide  $T_M$ , de la classe de température et de la résistance thermique  $R_{th}$ , mais ne doit pas dépasser 1,5 W.  
Exemples de calcul, voir chapitre 4 „Conditions spécifiques d'utilisation (conditions X)“.
- 3) La puissance admissible sur le capteur dépend de la température du fluide  $T_M$ , de la température de surface maximale admissible et de la résistance thermique  $R_{th}$ , mais ne doit pas dépasser les valeurs du "tableau 2" (colonne 2), chapitre 1 „Marquage Ex“.

#### ■ Caractéristiques électriques avec transmetteur ou écran numérique

$U_i$  = en fonction du transmetteur ou de l'affichage numérique

$I_i$  = en fonction du transmetteur ou de l'affichage numérique

$P_i$  = dans le boîtier : dépend du transmetteur ou de l'affichage numérique

$C_i$  = en fonction du transmetteur ou de l'affichage numérique

$L_i$  = en fonction du transmetteur ou de l'affichage numérique

#### ■ Données électriques avec transmetteur incorporé en accord avec le type FISCO

Les transmetteurs ou affichages numériques utilisés pour la gamme d'applications en accord avec le type FISCO sont considérés comme des appareils de champ FISCO.

Les exigences en conformité avec la norme CEI/EN 60079-27 et les conditions de connexion des agréments en accord avec FISCO s'appliquent.

### 3.3 Classification de classe de température, températures ambiantes

Les températures ambiantes admissibles dépendent de la classe de température, du boîtier utilisé et du transmetteur et/ou de l'affichage numérique intégrés en option.

Lorsqu'un thermomètre est connecté à un transmetteur et/ou à un affichage numérique, la valeur la plus basse de température ambiante ou de la classe de température la plus haute s'appliquera. La limite inférieure de température est -40 °C [-40 °F] ; elle est de -60 °C [-76 °F] pour les versions spéciales.

14280102.02 07/2023 EN/DE/FR/ES



### 3. Mise en service, utilisation

Là où il n'y a ni transmetteurs ni afficheurs installés dans le boîtier, il n'y aura pas non plus d'échauffement supplémentaire. Avec un transmetteur intégré (en option avec un afficheur numérique), un réchauffement causé par le fonctionnement du transmetteur ou de l'afficheur numérique peut se produire.

Pour les applications sans transmetteur (affichages numériques) qui requièrent des instruments du groupe II (atmosphères gazeuses potentiellement explosives), la classification de classe de température et les plages de température ambiante suivantes s'appliquent :

Classe de température	Plage de température ambiante ( $T_a$ )
T1 ... T6	(-50) -40 ... +80 °C [(-58) -40 ... +176 °F]

Les températures ambiantes et les températures de surface admissibles pour des produits tiers peuvent être lues dans les approbations récentes et/ou les fiches techniques et doivent être respectées.

#### Exemple

Pour les instruments équipés d'un transmetteur et d'un affichage numérique DIH50, par exemple, la limite suivante pour la classification de classe de température s'applique :

Classe de température	Plage de température ambiante ( $T_a$ )
T6	-40 ... +55 °C [-40 ... 131 °F]

Les températures ambiantes et les températures de surface admissibles pour des produits tiers peuvent être lues dans les approbations récentes et/ou les fiches techniques et doivent être respectées.

Les valeurs entre parenthèses s'appliquent aux conceptions spéciales. Ces capteurs sont fabriqués en utilisant des composés spéciaux pour le scellement. De plus, ils sont munis de têtes de raccordement en acier inox et de presse-étoupes pour des plages de température basse.

Conformément à cette homologation, ces thermomètres conviennent pour les classes de température T1 à T6. Ceci s'applique aux instruments sans ou avec transmetteurs et/ou affichages numériques intégrés. Assurez-vous de ne pas dépasser la température ambiante maximale pour l'utilisation en toute sécurité de l'instrument.

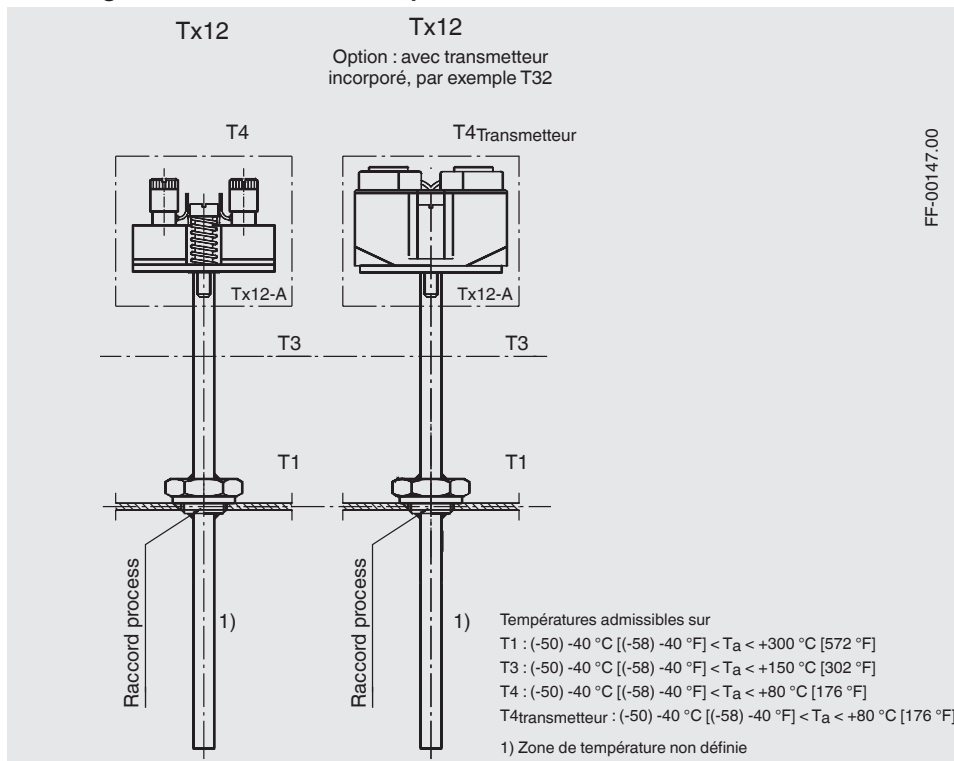
#### 3.4 Transmission de température depuis le process

Empêcher tout reflux de chaleur en provenance du process !

Observer les conditions spéciales (voir chapitre 4 „Conditions spécifiques d'utilisation (conditions X)“, point 4).

FR

## 3.5 Vue générale des zones de température

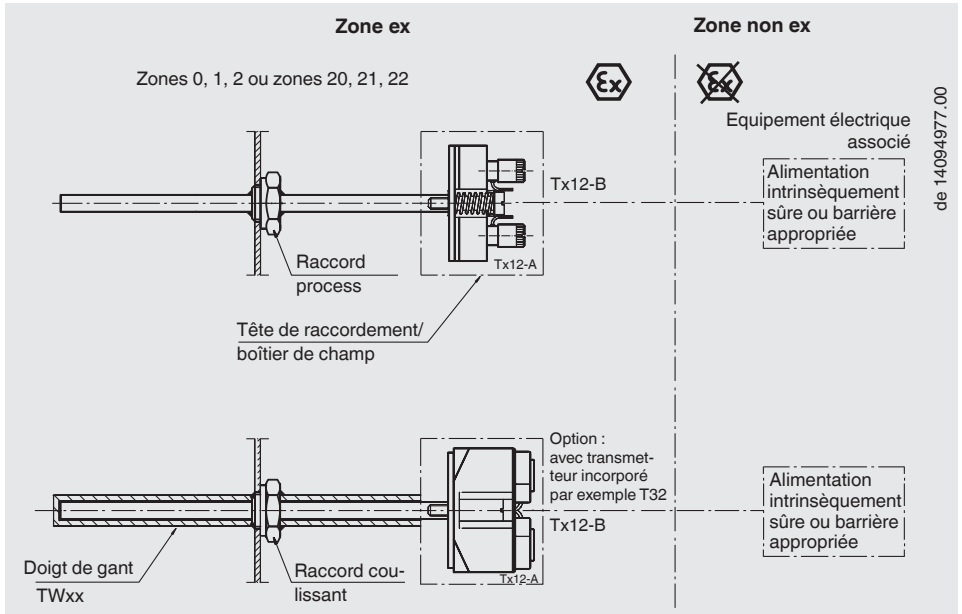


FR

# 3. Mise en service, utilisation

## 3.6 Exemples d'installation

### 3.6.1 Méthodes possibles d'installation avec le marquage II 1G Ex ia IIC T6 Ga ou II 1D Ex ia IIIC T65 °C Da



Le capteur, avec le boîtier ou la tête de raccordement, se trouve en zone 0 (zone 20). Il faut utiliser un circuit de courant de type Ex ia. Les têtes de raccordement ou les boîtiers en aluminium ne sont en général pas autorisés en zone 0. Sur cette position, WIKA recommande des têtes de raccordement ou des boîtiers en acier inox.

#### Mesures de protection pour des applications requérant EPL Ga ou Da :

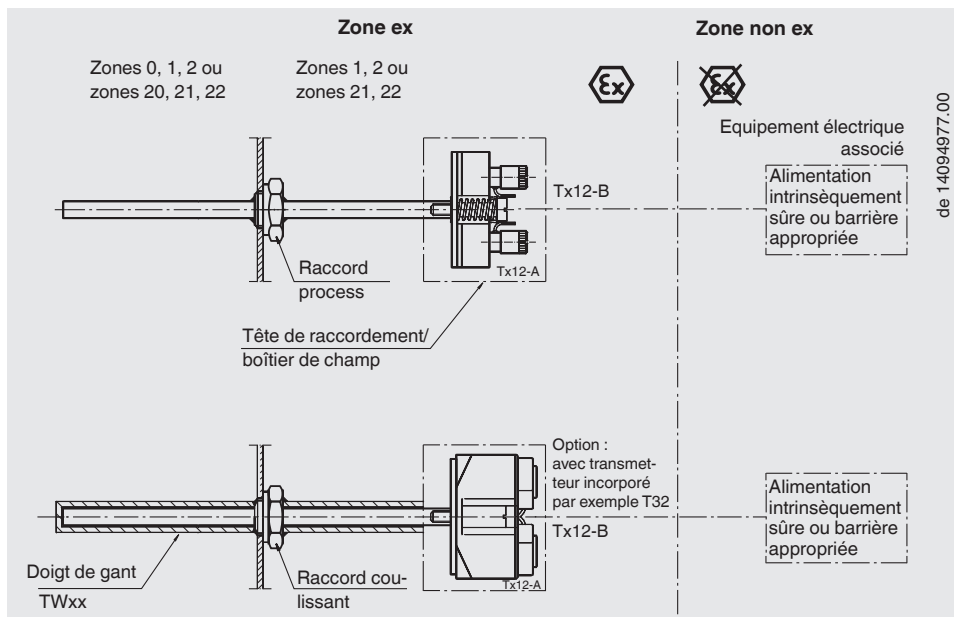
Pour le cas où un boîtier en métal léger est utilisé en zone 0, les mesures de protection suivantes s'appliquent :

Des frictions ou des impacts causés par l'opérateur entre des composants en métal léger ou leurs alliages (par exemple aluminium, magnésium, titane ou zirconium) et des composants d'instrument en fer/acier ne sont pas autorisés. Des frictions ou des impacts causés par l'opérateur entre des métaux légers ne sont pas autorisés.

Observer les conditions spéciales (voir chapitre 4 „Conditions spécifiques d'utilisation (conditions X)“, points 5 et 7).

### 3. Mise en service, utilisation

#### 3.6.2 Méthodes possibles d'installation avec le marquage II 1/2G Ex ia IIC T1 ... T6 Ga/Gb ou II 1/2D Ex ia IIIC T65 ... T125 °C Da/Db



L'extrémité du capteur ou du doigt de gant dépasse dans la zone 0. Le boîtier ou la tête de raccordement est en zone 1 (zone 21) ou en zone 2 (zone 22). Un circuit de type Ex ib suffit.

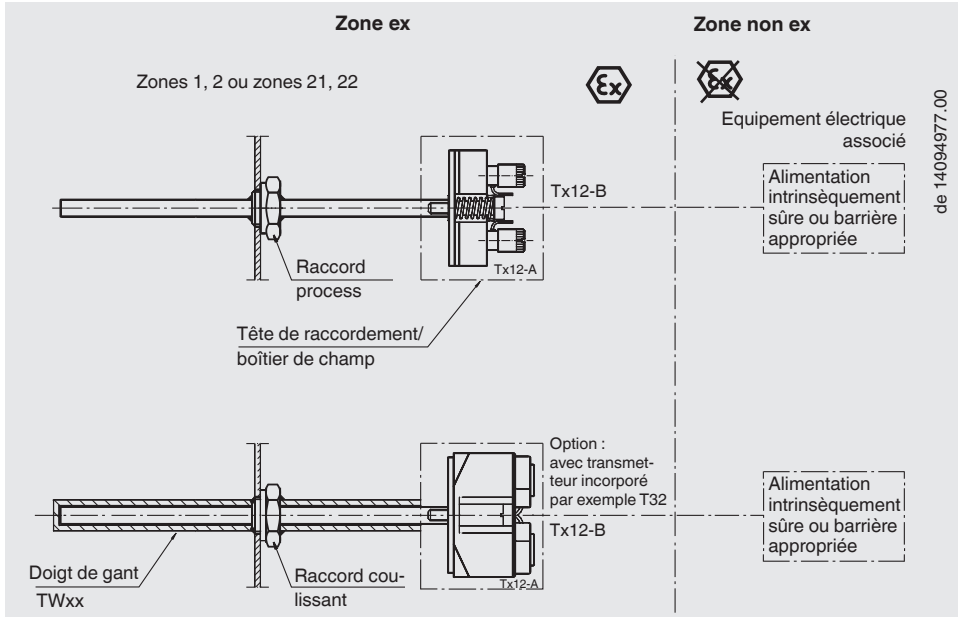
La séparation de zone est garantie si des raccords process suffisamment étanches (IP66 ou IP67) sont utilisés.

Les exemples de raccords process adéquats comprennent les brides industrielles standardisées étanches aux gaz, les connexions filetées ou les connexions par tuyauterie.

Les raccords process, les doigts de gant ou les boîtiers utilisés doivent être fabriqués de sorte qu'ils résistent à toutes les variables, telles que la température, les forces de flux, la pression, la corrosion, la vibration et les chocs.

## 3. Mise en service, utilisation

### 3.6.3 Méthodes possibles d'installation avec le marquage II 2G Ex ia IIC T1 ... T6 Gb ou II 2D Ex ia IIIC T65 °C ... T125 °C Db





### 3.7 Partition pour un usage en zone 0 ou zone 1/2 ou séparation entre zone explosive et zone non explosive

Si la paroi a une épaisseur de moins d'un mm, l'instrument doit aussi être marqué avec un "X" ou une instruction de sécurité en conformité avec 29.2 de CEI/EN 60079-0, avec la condition spéciale que, pour un usage en toute sécurité, il ne doit pas être soumis aux contraintes ambiantes qui pourraient avoir un effet négatif sur la partition. Si la partition est constamment soumise à des vibrations (par exemple des membranes qui vibrent), sa limite de fatigue à l'amplitude maximale doit être énoncée dans la documentation (voir section 4.2.5.2, CEI/EN 60079-26).

Observer les conditions spéciales (voir chapitre 4 „Conditions spécifiques d'utilisation (conditions X)“, point 5).

Comme alternative, un doigt de gant ayant une épaisseur de paroi convenable peut être utilisée par le client. Pour ceci, il faut observer les conditions spéciales (voir chapitre 4 „Conditions spécifiques d'utilisation (conditions X)“, point 6).

### 4. Conditions spécifiques d'utilisation (conditions X)

- 1) Les versions avec  $\emptyset < 3$  mm ou les versions "non-isolées"  sont incompatibles avec la section 6.3.13 de la norme CEI/EN 60079-11. Donc, d'un point de vue relevant de la sécurité, ces circuits intrinsèquement sûrs doivent être considérés comme connectés galvaniquement ("quasi non isolés" ) au potentiel de terre, c'est pourquoi une liaison équipotentielle doit être assurée pour la totalité de l'installation des circuits intrinsèquement sûrs. En outre, pour la connexion, il faut observer les conditions aux termes de CEI/EN 60079-14.
- 2) Les charges électrostatiques doivent être évitées sur les instruments qui, en raison de leur exécution, ne se conforment pas aux exigences électrostatiques selon CEI/EN 60079-0 et CEI/EN 60079-26.
- 3) Les transmetteurs/afficheurs numériques utilisés doivent disposer de leur propre certificat d'examen de type CE en conformité avec CEI/EN. Les conditions d'installation, les valeurs de raccordement électrique, la classe de température en fonction des températures de surface maximales des appareils devant être utilisés dans des atmosphères poussiéreuses explosives et de la température ambiante autorisée doivent être reprises par le certificat d'examen de type CE correspondant et doivent être prises en considération.
- 4) Tout reflux de chaleur en provenance du process qui dépasse la température ambiante admissible du transmetteur, de l'afficheur numérique ou du boîtier doit être impossible. Il doit être évité en installant une isolation convenable contre la chaleur ou une extension de la bonne longueur.
- 5) Si l'épaisseur de paroi est de moins d'un mm, les instruments ne doivent pas être soumis aux contraintes ambiantes qui pourraient avoir un effet négatif sur la partition. On peut aussi utiliser un doigt de gant ayant une épaisseur minimale de paroi convenable.
- 6) Dans le cas de l'utilisation d'un doigt de gant ou d'une extension, les instruments seront construits de manière à permettre une installation qui offre un joint suffisamment étanche (IP66 ou IP67) ou un joint antidéflagrant (CEI/EN 60079-1) dans la direction de la zone moins dangereuse.
- 7) *Ne s'applique pas à cet instrument (voir les conditions X dans le certificat d'examen type CE)*
- 8) Si l'on utilise des boîtiers, ils doivent soit disposer de leur propre certificat d'examen de type CE adéquat, soit respecter les exigences minimum.  
Protection IP : au moins IP 20 (au moins IP6x pour la poussière), s'applique dans tous les cas  
Les boîtiers en métal léger doivent être conformes aux sections pertinentes des normes applicables. En outre, les boîtiers non métalliques ou recouverts de poudre doivent respecter les exigences électrostatiques des normes applicables ou comporter une note d'avertissement appropriée.

## 4. Conditions spécifiques d'utilisation (conditions X)

- 9) Les parties accessibles des boîtiers métalliques isolés et les parties accessibles des boîtiers métalliques non isolés mais non conformes à la section 6.5 de la norme CEI/EN 60079-11 doivent être conformes à la section 7.5 de la norme CEI/EN 60079-0 ou comporter une note d'avertissement appropriée.
- 10) S'il n'est pas possible de spécifier la plage de température ambiante sur l'étiquetage de l'instrument parce que l'instrument est un petit appareil aux termes de la section 29.10 de la norme CEI/EN 60079-0, la plage de température ambiante doit être spécifiée dans le mode d'emploi fourni avec l'instrument. Si l'instrument n'est pas un petit instrument aux termes de la section 29.10 de la norme CEI/EN 60079-0, l'étiquetage de l'instrument doit également comporter une référence au mode d'emploi fourni.

FR

### **Mesures de protection pour des applications requérant EPL Ga ou Da :**

Des frictions ou des impacts causés par l'opérateur entre des composants en métal léger ou leurs alliages (par exemple aluminium, magnésium, titane ou zirconium) et des composants d'instrument en fer/acier ne sont pas autorisés. Des frictions ou des impacts causés par l'opérateur entre des métaux légers ne sont pas autorisés.

### 5. Exemples de calculs pour auto-échauffement à l'extrémité du doigt de gant

L'auto-échauffement à l'extrémité du doigt de gant dépend du type de capteur (TC/RTD), du diamètre de l'élément de mesure et de l'exécution du doigt de gant. Le tableau ci-dessous montre les combinaisons possibles. Le chauffage à l'extrémité du capteur de l'élément de mesure est nettement supérieur, la représentation de ces valeurs a été omise en raison de l'installation requise avec un doigt de gant.

Le tableau montre que les thermocouples génèrent un auto-échauffement sensiblement inférieur à celui des sondes à résistance.

FR

#### Résistance thermique [ $R_{th}$ en K/W]

Type de capteur	RTD		TC	
	3,0 - < 6,0	6,0 - ≤ 8,0	3,0 - < 6,0	6,0 - ≤ 8,0
<b>Avec tube de protection</b> (coniques et droits), par exemple TW35, TW40 etc.	60	37	11	2,5
<b>Avec doigt de gant - matériau solide</b> (coniques et droits), par exemple TW10, TW15, TW20, TW25, TW30 etc.	22	16	4	1
<b>Construit dans un trou borgne</b> (épaisseur minimale de la paroi 5 mm [0,197 in])	22	16	4	1

#### 5.1 Exemple de calcul pour l'exécution 2 avec capteur TC

Dans les mêmes conditions, la valeur est inférieure pour l'auto-échauffement parce que la puissance alimentée n'est pas convertie seulement à l'extrémité du capteur, mais plutôt sur toute la longueur de l'insert de mesure.

Résistance thermique [ $R_{th}$  en K/W] du tableau = 3 K/W

Auto-échauffement :  $0,8 \text{ W} * 3 \text{ K/W} = 2,4 \text{ K}$

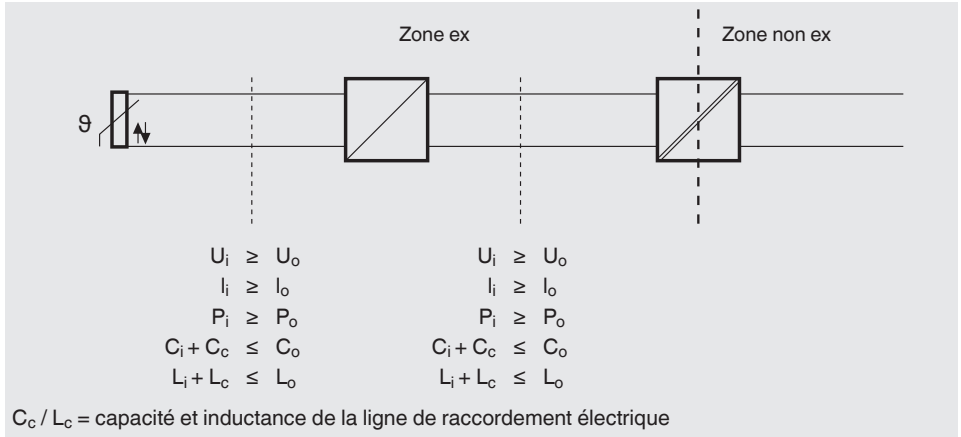
$T_{max} = T_M + \text{auto-échauffement} : 150 \text{ °C} [302 \text{ °F}] + 2,4 \text{ °C} [36 \text{ °F}] = 152,4 \text{ °C} [306 \text{ °F}]$

Comme marge de sécurité pour des instruments certifiés (pour T6 à T3), 5 °C [41 °F] supplémentaires doivent être déduits des 200 °C [392 °F] ; 195 °C [383 °F] seraient donc acceptables. Cela signifie que, dans ce cas, la classe de température T3 n'est pas dépassée.

Il est évident dans cet exemple que l'auto-échauffement ici est presque négligeable.



## 5.2 Preuve de sécurité intrinsèque Capteur avec transmetteur et barrière



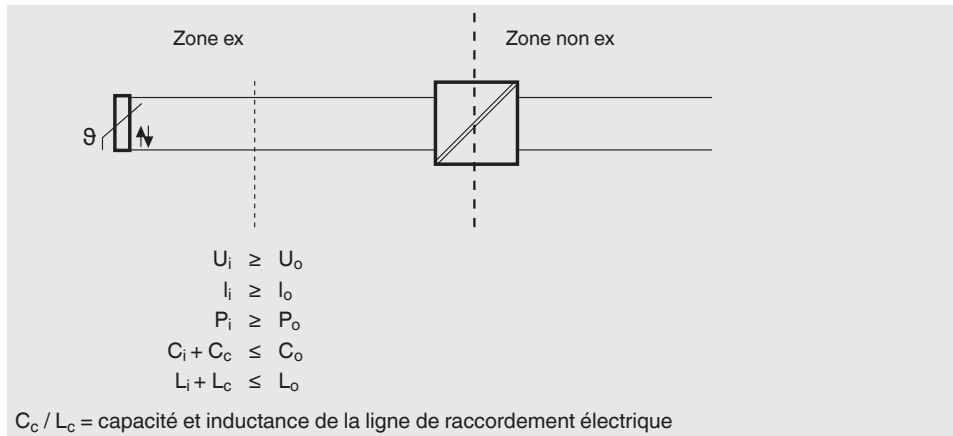
FR

Vérification simplifiée de la sécurité intrinsèque pour la combinaison mentionnée ci-dessus

Insert de mesure	Transmetteur monté en tête	Barrière isolée
U <sub>i</sub> : 30 VDC	≥ U <sub>o</sub> : 6,5 VDC	U <sub>i</sub> : 30 VDC ≥ U <sub>o</sub> : 25,4 VDC
I <sub>i</sub> : 550 mA	≥ I <sub>o</sub> : 9,3 mA	I <sub>i</sub> : 130 mA ≥ I <sub>o</sub> : 88,2 mA
P <sub>i</sub> (max.) sur le capteur = 1,5 W	≥ P <sub>o</sub> : 15,2 mW	P <sub>i</sub> : 800 mW ≥ P <sub>o</sub> : 560 mW
C <sub>i</sub> : négligeable	≤ C <sub>o</sub> : 24 μF	C <sub>i</sub> : 7,8 nF ≤ C <sub>o</sub> : 93 nF
L <sub>i</sub> : négligeable	≤ L <sub>o</sub> : 365 mH	L <sub>i</sub> : 100 μH ≤ L <sub>o</sub> : 2,7 mH

En comparant ces valeurs, il est évident qu'il est admissible de connecter ces instruments entre eux. Cependant, l'opérateur doit aussi prendre en compte les valeurs pour la conductivité et la capacité des lignes de raccordement électrique.

## Capteur sans transmetteur, avec barrière



FR

Vérification simplifiée de la sécurité intrinsèque pour la combinaison mentionnée ci-dessus

Insert de mesure		Barrière Zener Z954	
$U_i : 30 \text{ VDC}$	$\geq$	$U_o : 9 \text{ VDC}$	$U_m : 250 \text{ VAC}$
$I_i : 550 \text{ mA}$	$\geq$	$I_o : 510 \text{ mA}$	$I_j : \text{n. a.}$
$P_i (\text{max.}) \text{ sur le capteur} = 1,5 \text{ W}$	$\geq$	$P_o : 1.150 \text{ mW}$	$P_j : \text{n. a.}$
$C_i : \text{négligeable}$	$\leq$	$C_o : 4,9 \mu\text{F}$	$C_j : \text{n. a.}$
$L_i : \text{négligeable}$	$\leq$	$L_o : 0,12 \text{ mH}$	$L_j : \text{n. a.}$

n. a. = non applicable

En comparant ces valeurs, il est évident qu'il est admissible de connecter ces instruments entre eux. Cependant, l'opérateur doit aussi prendre en compte les valeurs pour la conductivité et la capacité des lignes de raccordement électrique.

Ces calculs s'appliquent à la barrière Zener Z954 en connexion avec une sonde à résistance Pt100 en mode 3 canaux sans mise à la terre, c'est-à-dire avec un fonctionnement symétrique de la sonde à résistance dans un circuit 3 fils sur un afficheur ou une unité de lecture.



## EU-Konformitätserklärung EU Declaration of Conformity

**Dokument Nr.:** 14031790.05  
**Document No.:**

Wir erklären in alleiniger Verantwortung, dass die mit CE gekennzeichneten Produkte  
*We declare under our sole responsibility that the CE marked products*

**Typenbezeichnung:** TR12-B-ZZZ, TR12-M-ZZZ, TR12-A-ZZZ;  
**Type Designation:** TC12-B-ZZZ, TC12-M-ZZZ, TC12-A-ZZZ;  
TR12-B-\*(1, 2, 4), TR12-M-\*(1, 2, 4), TR12-A-\*(1, 2, 4);  
TC12-B-\*(1, 2, 4), TC12-M-\*(1, 2, 4), TC12-A-\*(1, 2, 4);  
TR12-B-\*D(1, 3), TR12-M-\*D(1, 3), TC12-B-\*D(1, 3), TC12-M-\*D(1, 3);

**Beschreibung:** Prozessthermometer Typ TR12 und TC12 zum Einbau in ein Schutzrohr  
**Description:** Process thermometer model TR12 and TC12 for additional thermowell

gemäß gültigem Datenblatt:  
*according to the valid data sheet:* TE 60.16, TE 60.17, TE 65.16, TE 65.17

mit den nachfolgenden relevanten Harmonisierungsvorschriften der Union  
übereinstimmen:  
*are in conformity with the following relevant Union harmonization  
legislation:*

Angewandte harmonisierte Normen:  
*Applied harmonised standards:*

2011/65/EU	Gefährliche Stoffe (RoHS) <i>Hazardous substances (RoHS)</i>	EN IEC 63000:2018
2014/30/EU	Elektromagnetische Verträglichkeit (EMV) <i>Electromagnetic Compatibility (EMC)</i>	EN 61326-1:2013 <sup>(5)</sup> EN 61326-2-3:2013 <sup>(5)</sup>
2014/34/EU	Explosionsschutz (ATEX) <sup>(1, 2, 3, 4)</sup> <i>Explosion protection (ATEX)</i> <sup>(1, 2, 3, 4)</sup>	Refer to annex

- (1) Die folgenden Buchstaben für die Ex-Zertifizierung ersetzen den Platzhalter \*:  
*The following letters for the Ex certification replace the placeholder \*:*  
A, B, C, D, E, F, G, H, I, J, K, L, M, O, P, Q, R, S, T, U, V, W, X, Y
- (2) EG-Baumusterprüfbescheinigung TÜV 10 ATEX 555793 X von TÜV NORD CERT GmbH (Reg.-Nr. 0044)  
*EC type-examination certificate TÜV 10 ATEX 555793 X of TÜV NORD CERT GmbH (Reg. no. 0044)*
- (3) EU-Baumusterprüfbescheinigung BVS 07 ATEX E 071 X von DEKRA Testing and Certification GmbH (Reg. Nr. 0158)  
*EU type examination certificate BVS 07 ATEX E 071 X of DEKRA Testing and Certification GmbH (Reg. No. 0158)*
- (4) Modul A, interne Fertigungskontrolle  
*Module A, internal control of production*
- (5) Gilt nur mit eingebautem WIKA Transmitter. Werden Transmitter von anderen Herstellern verwendet, können diese anderen Normen entsprechen. Es sind dann die mitgelieferten Anleitungen und EU-Konformitätserklärungen dieser Transmitter zu beachten.  
*Applies only to built-in WIKA transmitter. When using transmitters of other manufacturers, other standards may apply. The instructions and EU Declarations of Conformity supplied with these transmitters must then be observed.*

Unterszeichnet für und im Namen von / *Signed for and on behalf of*

**WIKAI Alexander Wiegand SE & Co. KG**  
Klingenberg, 2022-11-02

Stefan Heiding, Vice President  
Electrical Temperature Measurement

WIKAI Alexander Wiegand SE & Co. KG  
Alexander-Wiegand-Straße 30  
63911 Klingenberg  
Germany  
WEEE-Reg.-Nr. DE 92770372

Tel. +49 9372 132-0  
Fax +49 9372 132-406  
E-Mail info@wikai.de  
www.wikai.de

Kommanditgesellschaft, Sitz Klingenberg =  
Amtsgericht Aschaffenburg HRA 1819

Roland Stapf, Head of Quality Management  
Process Instrumentation Corporate Quality

Komplementär:  
WIKAI International SE - Sitz Klingenberg -  
Amtsgericht Aschaffenburg HRB 10505  
Vorstand: Alexander Wiegand  
Vorsitzender des Aufsichtsrats: Prof. Dr. Roderich C. Thümmel  
19AR-03458



# Contenido

<b>1. Marcaje Ex</b>	<b>70</b>
<b>2. Seguridad</b>	<b>72</b>
<b>3. Puesta en servicio, funcionamiento</b>	<b>74</b>
<b>4. Condiciones especiales para la utilización (X-Conditions)</b>	<b>84</b>
<b>5. Ejemplos de cálculo para el calentamiento propio en la punta de la vaina</b>	<b>86</b>
<b>Anexo: Declaración de conformidad UE</b>	<b>89</b>

**ES**

Declaraciones de conformidad puede encontrar en [www.wika.es](http://www.wika.es).

# 1. Marcaje Ex

## Documentación complementaria:

- ▶ Esta información adicional para zonas potencialmente explosivas se aplica en relación con el manual de instrucciones "Termorresistencias TR12 y termopares TC12" (código 14064370).

# 1. Marcaje Ex



## ¡PELIGRO!

### Peligro de muerte debido a la pérdida de la protección contra explosiones

La inobservancia del contenido y de las instrucciones puede originar la pérdida de la protección contra explosiones.

- ▶ Observe las instrucciones de seguridad en este capítulo y otros avisos sobre peligros de explosión en este manual de instrucciones.
- ▶ Tener en cuenta los requisitos de la directiva ATEX.
- ▶ Cumplir con las regulaciones indicadas en el certificado de examen de tipo y los correspondientes reglamentos nacionales para la instalación y uso en zonas potencialmente explosivas (p. ej. IEC 60079-11, IEC 60079-10 y IEC 60079-14).

Compruebe idoneidad de la clasificación para la aplicación. Tenga en consideración las respectivas leyes y reglamentos nacionales.

ATEX	
II 1G	Ex ia IIC T1 ... T6 Ga
II 1/2G	Ex ia IIC T1 ... T6 Ga/Gb
II 2G	Ex ia IIC T1 ... T6 Gb
II 1D	Ex ia IIIC T1 ... T6 Da
II 1/2D	Ex ia IIIC T1 ... T6 Da/Db
II 2D	Ex ia IIIC T1 ... T6 Db

IECEx	
Ex ia IIC T1 ... T6 Ga	
Ex ia IIC T1 ... T6 Ga/Gb	
Ex ia IIC T1 ... T6 Gb	
Ex ia IIIC T1 ... T6 Da	
Ex ia IIIC T1 ... T6 Da/Db	
Ex ia IIIC T1 ... T6 Db	

# 1. Marcaje Ex

Para utilizaciones sin transmisor (indicadores digitales) que requieren instrumentos del grupo II (atmósferas gaseosas potencialmente explosivas) rige la siguiente división en clases de temperatura y rangos de temperatura ambiente:

Tabla 1

Marcado		Clase de temperatura	Rango de temperatura ambiente ( $T_a$ )	Temperatura superficial máxima ( $T_{max}$ ) en la punta de sensores o vainas
ATEX	IECEX			
II 1G	Ex ia IIC T1 ... T6 Ga	T1 ... T6	(-50) <sup>1)</sup> -40 ... +80 °C [(-58) <sup>1)</sup> -40 ... +176 °F]	$T_M$ (temperatura del medio) + calentamiento propio  Para ello deben tenerse en cuenta las condiciones especiales (véase el capítulo 4 „Condiciones especiales para la utilización (X-Conditions)“).
II 1/2G	Ex ia IIC T1 ... T6 Ga/Gb			
II 2G	Ex ia IIC T1 ... T6 Gb			

ES

Para aplicaciones que requieren instrumentos del grupo II (atmósferas polvorientas potencialmente explosivas) rigen las siguientes temperaturas superficiales y rangos de temperatura ambiente:

Tabla 2

Marcado		Potencia $P_i$	Rango de temperatura ambiente ( $T_a$ )	Temperatura superficial máxima ( $T_{max}$ ) en la punta de sensores o vainas
ATEX	IECEX			
II 1D	Ex ia IIIC T1 ... T6 Da	750 mW	(-50) <sup>1)</sup> -40 ... +40 °C [(-58) <sup>1)</sup> -40 ... +104 °F]	$T_M$ (temperatura del medio) + calentamiento propio  Para ello deben tenerse en cuenta las condiciones especiales (véase el capítulo 4 „Condiciones especiales para la utilización (X-Conditions)“).
II 1/2D	Ex ia IIIC T1 ... T6 Da/Db			
II 2D	Ex ia IIIC T1 ... T6 Db			
II 1D	Ex ia IIIC T1 ... T6 Da	650 mW	(-50) <sup>1)</sup> -40 ... +70 °C [(-58) <sup>1)</sup> -40 ... +158 °F]	Para ello deben tenerse en cuenta las condiciones especiales (véase el capítulo 4 „Condiciones especiales para la utilización (X-Conditions)“).
II 1/2D	Ex ia IIIC T1 ... T6 Da/Db			
II 2D	Ex ia IIIC T1 ... T6 Db			
II 1D	Ex ia IIIC T1 ... T6 Da	550 mW	(-50) <sup>1)</sup> -40 ... +80 °C [(-58) <sup>1)</sup> -40 ... +176 °F]	Para ello deben tenerse en cuenta las condiciones especiales (véase el capítulo 4 „Condiciones especiales para la utilización (X-Conditions)“).
II 1/2D	Ex ia IIIC T1 ... T6 Da/Db			
II 2D	Ex ia IIIC T1 ... T6 Db			

1) Los valores entre paréntesis rigen para modelos especiales. Estos sensores son fabricados con compuestos de encapsulado especiales. Además, son dotados de cajas de acero al cromo-níquel y de prensaestopas para cables adecuados para temperaturas bajas.

Para el montaje de un transmisor y/o un indicador digital rigen las condiciones especiales del certificado de examen de tipo (véase el capítulo 4 „Condiciones especiales para la utilización (X-Conditions)“).

# 1. Marcaje Ex / 2. Seguridad

## Aplicación en atmósferas de metano

Debido a la mayor corriente mínima de ignición (CMI) del metano, los instrumentos pueden utilizarse también en atmósferas gaseosas potencialmente explosivas provocadas por ello. El instrumento puede llevar opcionalmente la marca IIC + CH<sub>4</sub>.

Para aplicaciones que requieren EPL Gb o Db, pueden utilizarse también instrumentos marcados con "ia" en circuitos de medición de tipo "ib".

## 2. Seguridad

ES

### 2.1 Explicación de símbolos



#### ¡PELIGRO!

... señala una situación de peligro potencial en la zona potencialmente explosiva, lo que puede provocar la muerte o lesiones graves si no se evita.

### 2.2 Uso conforme a lo previsto

Las termorresistencias aquí descritas son aptas para la medición de temperatura en zonas potencialmente explosivas.

La inobservancia de la información para su uso en zonas potencialmente explosivas conduce a la pérdida de la protección contra explosiones. Observar los valores límite y las indicaciones técnicas (véase hoja técnica).

### 2.3 Responsabilidad del usuario

La responsabilidad para la clasificación de zonas le corresponde a la empresa explotadora/operadora de la planta y no al fabricante/proveedor de los equipos.

### 2.4 Cualificación del personal

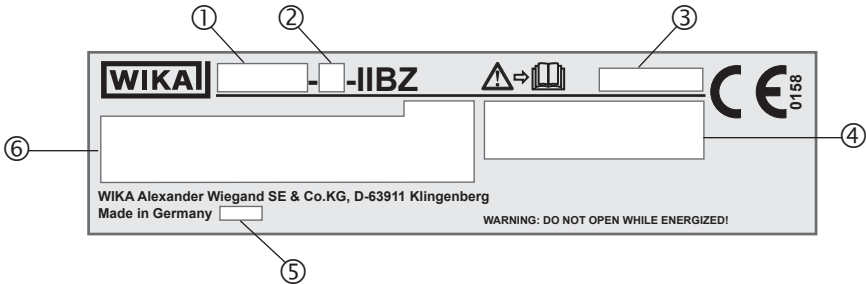
Los electricistas profesionales deben tener conocimientos sobre los tipos de protección contra incendios, los reglamentos y las directivas referente a equipos en zonas potencialmente explosivas.



## 2. Seguridad

### 2.5 Rótulos, marcajes de seguridad

#### Placa de identificación (ejemplo)



- ① Modelo
- ② A = Unidad de medida extraíble  
B = Termómetro de proceso  
M = Módulo básico
- ③ Número de serie
- ④ Datos relevantes de la homologación
- ⑤ Año de fabricación
- ⑥ ■ Datos de versión (elemento de medición, rango de medición...)

Sensor conforme a la norma (termorresistencia)

- F = Sensor estratificado
- W = Sensor bobinado

Sensor conforme a la norma (termopar)

- sin conexión a

tierra



= aislado de masa

- con conexión a

tierra



= soldado en la funda (conectado a tierra)

- en principio puesto a tierra = El termómetro debe considerarse como puesto a tierra debido a

a tierra



distancias de aislamiento mínimas entre sensor de resistencia eléctrica y revestimiento.

- Modelo de transmisor (sólo en la variante con transmisor)



¡Es absolutamente necesario leer el manual de instrucciones antes del montaje y la puesta en servicio del instrumento!



## 3. Puesta en servicio, funcionamiento

### 3.1 Indicaciones de seguridad para las distintas variantes

#### 3.1.1 Variante 1

El termómetro está montado en una caja vacía certificada, en la que está instalada una regleta de terminales. Si el termómetro está identificado con II 2G Ex ia IIC T1 ... T6 Gb, está previsto para el uso en la zona 1. Si está identificado con II 1/2G Ex ia IIC T1 ... T6 Ga/Gb, está previsto para el uso con una vaina en la pared divisoria de la zona 0.

► Caja o cabezal de conexión ATEX/IECEX (con borne de conexión, sin transmisor)  
Evaluación de la resistencia o de la tensión térmica mediante un sistema electrónico fuera de la zona potencialmente explosiva.

#### Uso en zona 1, marcaje II 2G Ex ia IIC T1 ... T6 Gb

La caja o el cabezal de conexión se encuentran en la zona 1 (o zona 2). El sensor se encuentra en la zona 1.

#### Uso en la pared divisoria de la zona 0, marcaje II 1/2G Ex ia IIC T1 ... T6 Ga/Gb.

La caja o el cabezal de conexión se encuentran en la zona 1 (o zona 2). El sensor se encuentra dentro de una vaina de protección (espesor de pared min. 1 mm), la que sobresale en la zona 0 mediante una conexión a proceso.

Una alimentación con circuitos Ex ia cumple estas condiciones. La empresa operadora asume la responsabilidad sobre ello.

Las temperaturas ambiente admisibles de productos de terceros las deben consultarse en las respectivas homologaciones y hojas técnicas.

En la variante 1 no se produce un calentamiento en el cabezal de conexión. Sin embargo, no está permitido un reflujo térmico proveniente del proceso que supere la temperatura de servicio de la caja o la clase de temperatura. Para prevenir este efecto, se aplica un aislamiento térmico adecuado o un tubo de cuello suficientemente largo.

ES

## 3. Puesta en servicio, funcionamiento

### 3.1.2 Variante 2

El termómetro está montado en cajas vacías certificadas, en las que está instalado un sistema electrónico. Si el termómetro está identificado con II 2G Ex ia IIC T1 ... T6 Gb, está previsto para el uso en la zona 1. Si está identificado con II 1/2G Ex ia IIC T1 ... T6 Ga/Gb, está previsto para el uso con una vaina en la pared divisoria de la zona 0.

► Caja o cabezal de conexión ATEX/IECEx Ex ia con transmisor de cabezal incorporado. La evaluación se realiza mediante una señal de corriente (4 ... 20 mA), de tensión (0 ... 10 V) o de bus de campo, generada por un transmisor de cabezal.

#### Uso en zona 1, marcaje II 2G Ex ia IIC T1 ... T6 Gb

La caja o el cabezal de conexión se encuentran en la zona 1 (o zona 2). El sensor se encuentra en la zona 1.

#### Uso en la pared divisoria de la zona 0, marcaje II 1/2G Ex ia IIC T1 ... T6 Ga/Gb.

La caja o el cabezal de conexión se encuentran en la zona 1 (o zona 2). El sensor se encuentra dentro de una vaina de protección (espesor de pared min. 1 mm), la que sobresale en la zona 0 mediante una conexión a proceso.

El termómetro debe operarse con una conmutación limitadora de potencia.

$P_{\max}$ : 1,5 W

$U_{\max}$ : 30 V

Una alimentación con circuitos Ex ia cumple estas condiciones. La empresa operadora asume la responsabilidad sobre ello.

En la variante 2 puede producirse un calentamiento en el cabezal de conexión debido a un sistema electrónico fallido. Las temperaturas ambiente se rigen por las cajas utilizadas y del transmisor de cabezal incorporado adicionalmente.

Sin embargo, debe impedirse un reflujó térmico no permitido proveniente del proceso, que supere la temperatura de trabajo o la clase de temperatura del transmisor o de la caja, mediante un aislamiento térmico adecuado o un tubo de cuello suficientemente largo.

ES

### 3.1.3 Variante 3

El termómetro está montado en un dispositivo (transmisor) certificado. Si el termómetro está identificado con II 2G Ex ia IIC Tx Gb, está previsto para el uso en la zona 1 con una vaina. Para un eventual uso en la pared divisoria de la zona 0 con una vaina deben observarse las homologaciones y condiciones del respectivo transmisor.

► Transmisores de temperatura con certificado ATEX/IECEx Ex i

La evaluación se realiza mediante una señal de corriente (4 ... 20 mA), de tensión (0 ... 10 V) o de bus de campo, generada por un transmisor de temperatura con certificado ATEX/IECEx-Ex i.

#### Uso en zona 1, marcaje II 2G Ex ia IIC Gb

La caja o el cabezal de conexión se encuentran en la zona 1 (o zona 2). El sensor se encuentra en la zona 1.

La marcación modelo TR12-B, TC12-B se encuentra en la caja de conexión certificada o en el transmisor de campo Ex i, respectivamente.

Los módulos TR12-M y TC12-M están marcados mediante una placa adhesiva en el cuello.

Para un eventual uso en la pared separatoria de la zona 0 con una vaina deben observarse las homologaciones es y condiciones del respectivo transmisor de campo Ex i.

### 3.1.4 Aplicación en atmósferas de metano

Debido al mayor ancho límite de holgura (MESG) y a la mayor corriente de ignición (MIC) del metano, los instrumentos pueden utilizarse también en atmósferas de gases potencialmente explosivas generadas por ello.

$U_i$  = véase homologación del transmisor de terceros

$I_i$  = véase homologación del transmisor de terceros

$P_i$  = véase homologación del transmisor de terceros

$L_i$  = véase homologación del transmisor de terceros

$C_i$  = véase homologación del transmisor de terceros

## 3. Puesta en servicio, funcionamiento

### 3.2 Montaje eléctrico

#### Uso de un transmisor/indicador digital (opcional):

Observar el manual de instrucciones del transmisor/indicador digital (ver de suministro).

Los transmisores/indicadores digitales incorporados tienen un certificado CE de tipo propio. Para consultar las temperaturas ambientales admisibles de los transmisores montados, consulte las aprobaciones correspondientes de los transmisores.

Observar las condiciones especiales (véase el capítulo 4 „Condiciones especiales para la utilización (X-Conditions)“, punto 3).

#### Potencia eléctrica de conexión

##### ■ Datos eléctricos sin transmisor o indicador digital montado

Parámetro	Grupo de dispositivos II
	Atmósfera gaseosa potencialmente explosiva <sup>1)</sup>
Tensión $U_i$	DC 30 V
Intensidad de corriente $I_i$	550 mA
Potencia $P_i$ (en el sensor)	1,5 W <sup>2) 3)</sup>
Capacidad interna efectiva $C_i$ de unidades de medida extraíbles estándares según DIN 43735	Despreciable
Inductividad interna efectiva $L_i$ de unidades de medida extraíbles estándares según DIN 43735	Despreciable

- 1) Utilización en atmósferas de metano  
Debido a la mayor energía mínima de ignición del metano, los instrumentos pueden utilizarse también en atmósferas gaseosas potencialmente explosivas provocadas por ello.
- 2) La potencia admisible para el sensor depende de la temperatura del medio  $T_M$ , de la clase de temperatura y de la resistencia térmica  $R_{th}$ , sin embargo como máximo 1,5 W.  
Para ejemplos de cálculo véase el capítulo 5 „Ejemplos de cálculo para el calentamiento propio en la punta de la vaina“.
- 3) La potencia admisible para el sensor depende de la temperatura del medio  $T_M$ , de la temperatura superficial máxima permitida y de la resistencia térmica  $R_{th}$ , sin embargo como máximo los valores de la “Tabla 2” (columna 2), capítulo 1 „Marcaje EX“.

##### ■ Datos eléctricos con transmisor o indicador digital montado

$U_i$  = en dependencia del transmisor/indicador digital

$I_i$  = en dependencia del transmisor/indicador digital

$P_i$  = en la caja: en dependencia del transmisor/indicador digital

$C_i$  = en dependencia del transmisor/indicador digital

$L_i$  = en dependencia del transmisor/indicador digital

## 3. Puesta en servicio, funcionamiento

### ■ Datos eléctricos con transmisor integrado según el modelo FISCO

Los transmisores / indicadores digitales utilizados para el campo de aplicación correspondiente al modelo FISCO se consideran como instrumentos de campo FISCO. Los requerimientos rigen según IEC/EN 60079-27 y las condiciones de conexión de las homologaciones según FISCO.

### 3.3 División en clases de temperatura y rangos de temperatura ambiente

Las temperaturas ambiente permitidas están determinadas por la clase de temperatura, las cajas utilizadas y los transmisores y/o indicadores digitales opcionalmente incorporados.

En la interconexión de un termómetro con un transmisor y/o un indicador digital rigen el respectivo valor inferior de los límites de temperatura ambiente y la clase de temperatura de la mayor cifra. El límite inferior de temperatura es de -40 °C [-40 °F] y para versiones especiales de -60 °C [-76 °F].

Si en la caja no está montado ningún transmisor o indicador digital, no se produce un calentamiento adicional. Con un transmisor incorporado (opcionalmente con indicador digital) puede producirse un calentamiento inducido por el propio funcionamiento, originado por el transmisor o el indicador digital.

Para utilizaciones sin transmisor (indicadores digitales) que requieren instrumentos del grupo II (atmósferas gaseosas potencialmente explosivas) rige la siguiente división en clases de temperatura y rangos de temperatura ambiente:

Clase de temperatura	Rango de temperatura ambiente ( $T_a$ )
T1 ... T6	(-50) -40 ... +80 °C [(-58) -40 ... +176 °F]

Las temperaturas ambiente y de superficie permitidas en productos de otros fabricantes se pueden consultar en las homologaciones y/o hojas técnicas pertinentes y deben cumplirse.

#### Ejemplo

En los instrumentos con transmisor e indicador digital DIH50 integrados, rige, por ejemplo, la siguiente limitación para la división en clases de temperatura:

Clase de temperatura	Rango de temperatura ambiente ( $T_a$ )
T6	-40 ... +55 °C [-40 ... 131 °F]

Las temperaturas ambiente y de superficie permitidas en productos de otros fabricantes se pueden consultar en las homologaciones y/o hojas técnicas pertinentes y deben cumplirse.

Los valores entre paréntesis rigen para modelos especiales. Estos sensores son fabricados con compuestos de encapsulado especiales. Además, son dotados de cabezales de acero inoxidable y de prensaestopas para cables adecuados para temperaturas bajas.

### 3. Puesta en servicio, funcionamiento

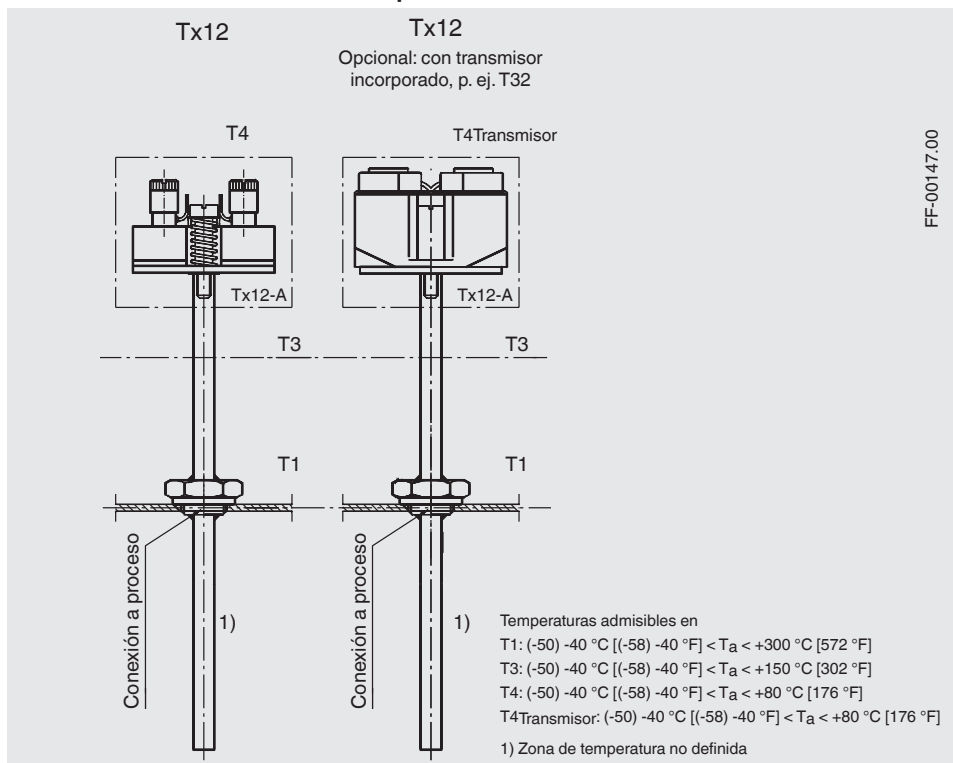
De acuerdo a la homologación, estos termómetros son apropiados para las clases de temperatura T1 ... T6. Esto vale para instrumentos con o sin transmisor incorporado y/o indicadores digitales. En este caso, asegurarse de que no se supere la temperatura ambiente máxima para el funcionamiento seguro del dispositivo.

#### 3.4 Transferencia de temperatura del proceso

¡Evitar el flujo térmico proveniente del proceso!

Observar las condiciones especiales (véase el capítulo 4 „Condiciones especiales para la utilización (X-Conditions)“, punto 4).

#### 3.5 Resumen de las zonas de temperatura

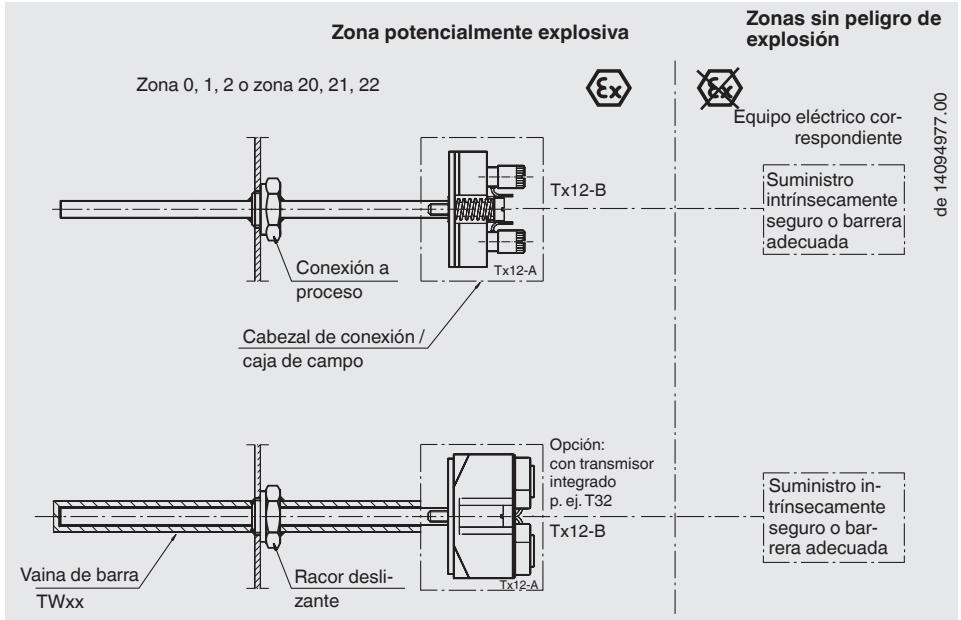




# 3. Puesta en servicio, funcionamiento

## 3.6 Ejemplos de montaje

### 3.6.1 Posibles montajes con la marca II 1G Ex ia IIC T6 Ga o II 1D Ex ia IIIC T65 °C Da



ES

El sensor junto a la caja o cabezal de conexión se encuentra en zona 0 (zona 20). Debe utilizarse un circuito eléctrico de tipo Ex ia. Los cabezales/las cajas de aluminio normalmente no están permitidos en la zona 0. Para esa zona, WIKA recomienda cabezales / cajas de acero inoxidable.

#### Medidas de protección para aplicaciones que requieren EPL Ga o Da:

Dado el caso que se utilizan cajas de metal ligero en la zona 0, se aplican las siguientes medidas de protección:

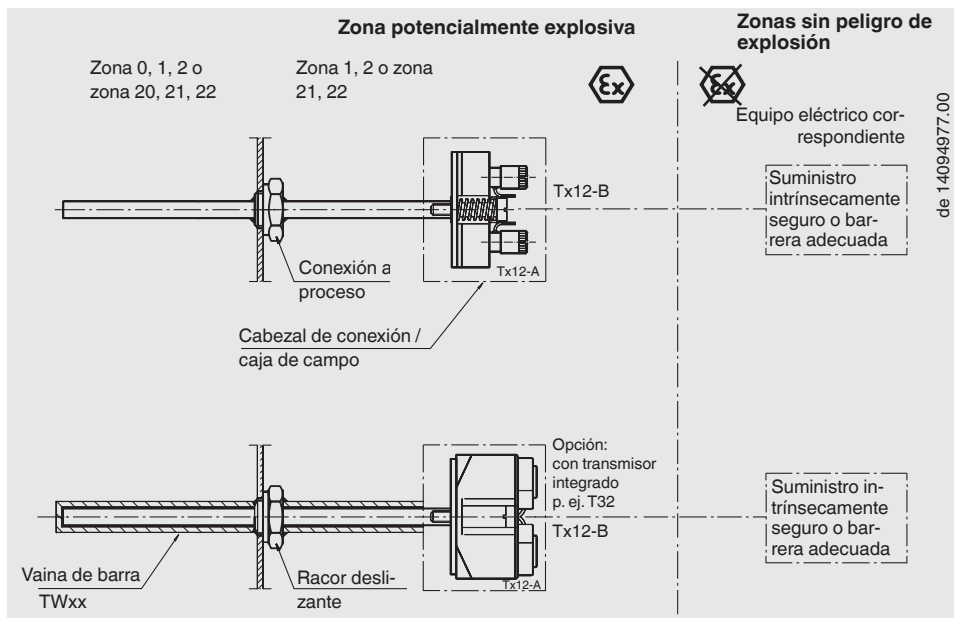
No se adminten impactos o fricción entre piezas del dispositivo de metal ligero o de sus aleaciones (por ejemplo, aluminio, magnesio, titanio o zirconio) con piezas de hierro/acero producto del funcionamiento. Sí se adminten en cambio fricciones o impactos entre los metales ligeros en el curso del funcionamiento.

Observar las condiciones especiales (véase el capítulo 4 „Condiciones especiales para la utilización (X-Conditions)“, puntos 5 y 7).

14280102.02 07/2023 EN/DE/FR/ES

### 3. Puesta en servicio, funcionamiento

#### 3.6.2 Posibles montajes con la marca II 1/2G Ex ia IIC T1 ... T6 Ga/Gb o II 1/2D Ex ia IIC T65 ... 125 °C Da/Db



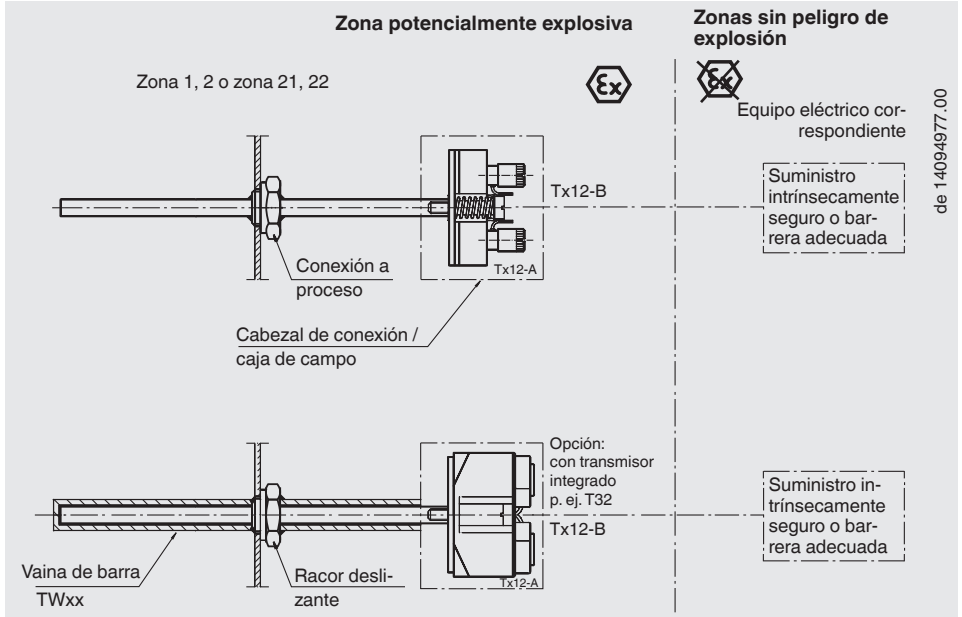
La sonda o la punta de la vaina sobresale en la zona 0. La caja o el cabezal está en la zona 1 (zona 21) o en la zona 2 (zona 22). Basta con utilizar un circuito eléctrico de tipo Ex ib. Se garantiza una separación de zonas al utilizar conexiones al proceso suficientemente herméticas (IP66 o IP67).

Un ejemplo de conexiones a proceso adecuadas serían las bridas industriales normalizadas a prueba de gas, los rácores o las conexiones de tubo.

Las conexiones a procesos, vainas o cajas deben estar dimensionadas de tal modo que resistan todas las influencias surgidas a raíz del proceso, como por ejemplo temperatura, fuerzas de paso, presión, corrosión, vibración y golpes.

## 3. Puesta en servicio, funcionamiento

### 3.6.3 Posibles montajes con la marca II 2G Ex ia IIC T1 ... T6 Gb o II 2D Ex ia IIC T65 ... 125 °C Db




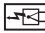
### 3.7 Particiones para uso en la zona 0 o zona 1/2 o separación entre áreas potencialmente explosivas y seguras

Si el espesor de pared es inferior a 1 mm, el instrumento debe marcarse también con una "X" o una indicación de seguridad conforme a 29.2 de la norma EN/IEC 60079-0, con la condición especial para el uso seguro, de que no será sometido a cargas ambientales que pudieran afectar negativamente a la pared de separación. Si la pared es sometida permanentemente a vibraciones (p. ej. membranas vibratorias), debe indicarse en la documentación la resistencia mínima a la vibración continua para la mayor amplitud (comp. sección 4.2.5.2, IEC/EN 60079-26).

Observar las condiciones especiales (véase el capítulo 4 „Condiciones especiales para la utilización (X-Conditions)“, punto 5).

Alternativamente, el cliente puede utilizar una vaina con el correspondiente espesor mínimo de pared. Para ello tener en cuenta las condiciones especiales (véase el capítulo 4 „Condiciones especiales para la utilización (X-Conditions)“, punto 6).

### 4. Condiciones especiales para la utilización (X-Conditions)

- 1) Las versiones con  $\varnothing < 3$  mm y las versiones "conectadas a tierra"  no cumplen con la sección 6.3.13 de la norma IEC/EN 60079-11. Por lo tanto, estos circuitos intrínsecamente seguros desde el punto de vista de seguridad se consideran conectados eléctricamente a la tierra ("en principio puesto a tierra" ) y debe existir compensación de potencial en todo el curso de la instalación de los circuitos de seguridad intrínseca. Además, para la conexión deben observarse las condiciones especiales de acuerdo a IEC/EN 60079-14.
- 2) Los instrumentos que no cumplen los requerimientos electrostáticos debido a su construcción según la norma IEC/EN 60079-0 y la norma IEC/EN 60079-26 no deben someterse a cargas electrostáticas.
- 3) Los transmisores/indicadores digitales incorporados deben disponer de un certificado CE de tipo propio conforme a la norma IEC/EN. Deben consultarse en los correspondientes certificados de examen de tipo las condiciones de instalación, las magnitudes de conexión eléctrica, las clases de temperatura o temperaturas superficiales máximas en instrumentos para utilización en atmósferas polvorosas potencialmente explosivas, así como las temperaturas ambiente permitidas, y observarse las mismas.
- 4) No está permitido un flujo térmico proveniente del proceso que supere la temperatura ambiente admisible del transmisor, del indicador digital o de la caja. Para evitar este efecto se debe aplicar un aislamiento adecuado o un cuello de suficiente longitud.
- 5) Si el espesor de pared es inferior a 1 mm, los instrumentos no deben someterse a cargas ambientales que pudieran afectar negativamente la pared divisoria. Alternativamente puede utilizarse una vaina con el correspondiente espesor mínimo de pared.
- 6) Si se emplea una vaina o un tubo de cuello, el instrumento debe estar construido completamente de tal forma para que permita un montaje suficientemente hermético (IP66 o IP67) o una junta plana antideflagrante (IEC/EN 60079-1) hacia la zona de menos riesgo.
- 7) *No es relevante para este dispositivo (ver condiciones X en el certificado de examen CE de tipo)*
- 8) Para el uso de cajas, estas deben contar con su correspondiente certificado de examen de tipo CE propio o cumplir con los requisitos mínimos.  
Protección IP: por lo menos IP 20 (por lo menos IP 6x para polvo), se aplica a todas las cajas.  
Las cajas de metal ligero deben cumplir las secciones correspondientes de los estándares aplicables. Además, las cajas no metálicas o con recubrimiento de polvo deben cumplir los requisitos electrostáticos según los estándares aplicables o poseer una correspondiente indicación de advertencia.

## 4. Condiciones especiales para la utilización (X-Conditions)

- 9) Las partes accesibles de cajas de metal no conectadas a tierra y las partes accesibles de cajas de metal que están conectadas a tierra pero no conformes a la sección 6.5 de IEC/EN 60079-11 deben cumplir la sección 7.5 de IEC/EN 60079-0 o poseer una correspondiente indicación de advertencia.
- 10) Si no es posible especificar el rango de temperatura ambiente en el etiquetado del instrumento debido a que conforme a la sección 29.10 de la norma IEC/EN 60079-0 es un instrumento pequeño, entonces debe especificarse el rango de temperatura ambiente en el manual de instrucciones suministrado con el instrumento. Si el instrumento no es un instrumento pequeño conforme a la sección 29.10 de IEC/EN 60079-0, el etiquetado del instrumento también debe contener un referencia al manual de instrucciones suministrado.

### **Medidas de protección para aplicaciones que requieren EPL Ga o Da:**

No se adminten impactos o fricción entre piezas del dispositivo de metal ligero o de sus aleaciones (por ejemplo, aluminio, magnesio, titanio o zirconio) con piezas de hierro/acero producto del funcionamiento. Sí se adminten en cambio fricciones o impactos entre los metales ligeros en el curso del funcionamiento.

ES

### 5. Ejemplos de cálculo para el calentamiento propio en la punta de la vaina

El calentamiento propio en la punta de la vaina depende del tipo de sensor (TC/RTD), del diámetro de la unidad de medida extraíble y del tipo de construcción de la vaina. La siguiente tabla muestra las posibles combinaciones. El calentamiento de la unidad de medida extraíble pulida en la punta del sensor es claramente mayor; se prescindió de la representación de dichos valores debido al necesario ensamblaje con una vaina.

En dicha tabla puede verse que los termopares generan un calentamiento propio claramente inferior que las termorresistencias.

#### Resistencia térmica [ $R_{th}$ in K/W]

Tipo de sensor	RTD		TC	
	3,0 - < 6,0	6,0 - ≤ 8,0	3,0 - < 6,0	6,0 - ≤ 8,0
<b>Con vaina</b> (recto y cónico), por ej. TW35, TW40, etc.	60	37	11	2,5
<b>Con vaina, material macizo</b> (recto y cónico), por ej. TW10, TW15, TW20, TW25, TW30, etc.	22	16	4	1
<b>Montada en un agujero ciego</b> (espesor mínimo de pared 5 mm [0,197 pulg.])	22	16	4	1

#### 5.1 Ejemplo de cálculo para la variante 2 con sensor TC

Bajo las mismas condiciones, resulta un valor inferior para el calentamiento propio, dado que la potencia suministrada no solamente se aplica a la punta del sensor, sino a toda la longitud de una unidad de medida extraíble.

Resistencia térmica [ $R_{th}$  en K/W] de la tabla = 3 K/W

Calentamiento propio:  $0,8 \text{ W} * 3 \text{ K/W} = 2,4 \text{ K}$

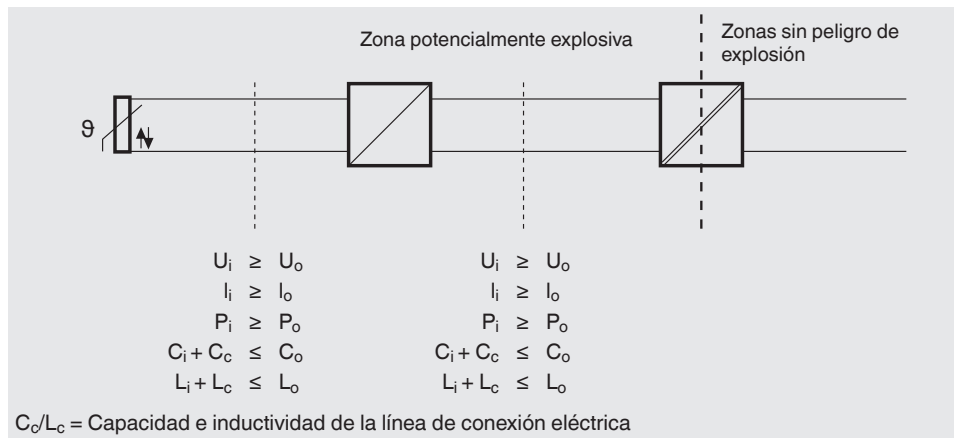
$T_{max} = T_M + \text{calentamiento propio: } 150 \text{ °C [302 °F]} + 2,4 \text{ °C [36 °F]} = 152,4 \text{ °C [306 °F]}$

Para calcular el margen de seguridad para instrumentos de tipos probados (para T3 a T6), de los 200 °C [392 °F]; hay que restar 5 °C [41 °F]; por lo tanto la temperatura admisible sería 195 °C [383 °F]. Lo que significa que en este caso, no se sobrepasa la clase de temperatura T3.

En este ejemplo resulta evidente que para este caso el calentamiento propio es prácticamente insignificante.

## 5. Ejemplos de cálculo para el calentamiento propio en la ...

### 5.2 Prueba de seguridad intrínseca Sensor con transmisor y barrera



ES

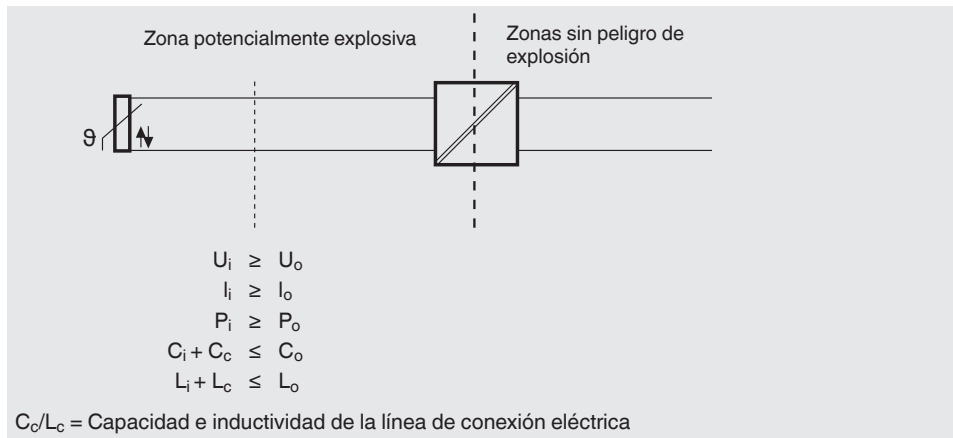
Demostración simplificada de la seguridad intrínseca para la combinación mencionada más arriba

Unidad de medida extraíble		Transmisor de cabezal			Dispositivo de alimentación	
$U_i$ : DC 30 V	$\geq$	$U_o$ : DC 6,5 V	$U_i$ : DC 30 V	$\geq$	$U_o$ : DC 25,4 V	
$I_i$ : 550 mA	$\geq$	$I_o$ : 9,3 mA	$I_i$ : 130 mA	$\geq$	$I_o$ : 88,2 mA	
$P_i$ (máx.) en el sensor = 1,5 W	$\geq$	$P_o$ : 15,2 mW	$P_i$ : 800 mW	$\geq$	$P_o$ : 560 mW	
$C_i$ : insignificante	$\leq$	$C_o$ : 24 $\mu$ F	$C_i$ : 7,8 nF	$\leq$	$C_o$ : 93 nF	
$L_i$ : despreciable	$\leq$	$L_o$ : 365 mH	$L_i$ : 100 $\mu$ H	$\leq$	$L_o$ : 2,7 mH	

## 5. Ejemplos de cálculo para el calentamiento propio en la ...

La comparación de los valores demuestra que la interconexión de estos instrumentos es admisible. La empresa explotadora/operadora sin embargo debe respetar los valores de inductividad y la capacidad de las conexiones eléctricas.

### Sensor sin transmisor, con barrera



Demostración simplificada de la seguridad intrínseca para la combinación mencionada más arriba

Unidad de medida extraíble		Barrera Zener Z954	
$U_i$ : DC 30 V	$\geq$	$U_o$ : DC 9 V	$U_m$ : AC 250 V
$I_i$ : 550 mA	$\geq$	$I_o$ : 510 mA	$I_j$ : n. a.
$P_i$ (máx.) en el sensor = 1,5 W	$\geq$	$P_o$ : 1.150 mW	$P_j$ : n. a.
$C_i$ : insignificante	$\leq$	$C_o$ : 4,9 $\mu$ F	$C_j$ : n. a.
$L_i$ : despreciable	$\leq$	$L_o$ : 0,12 mH	$L_j$ : n. a.

n. a. = no aplicable

La comparación de los valores demuestra que la interconexión de estos instrumentos es admisible. La empresa explotadora/operadora sin embargo debe respetar los valores de inductividad y la capacidad de las conexiones eléctricas.

Estos cálculos son válidos para la barrera Zener Z954 en combinación con un termómetro de resistencia Pt100 en funcionamiento de tres canales sin conexión a tierra; es decir, funcionamiento simétrico del termómetro de resistencia en conexión de 3 hilos a un indicador o unidad de evaluación.





## EU-Konformitätserklärung EU Declaration of Conformity

**Dokument Nr.:** 14031790.05  
**Document No.:**

Wir erklären in alleiniger Verantwortung, dass die mit CE gekennzeichneten Produkte  
*We declare under our sole responsibility that the CE marked products*

**Typenbezeichnung:** TR12-B-ZZZ, TR12-M-ZZZ, TR12-A-ZZZ;  
**Type Designation:** TC12-B-ZZZ, TC12-M-ZZZ, TC12-A-ZZZ;  
TR12-B-\*(1, 2, 4), TR12-M-\*(1, 2, 4), TR12-A-\*(1, 2, 4);  
TC12-B-\*(1, 2, 4), TC12-M-\*(1, 2, 4), TC12-A-\*(1, 2, 4);  
TR12-B-\*(1, 3), TR12-M-\*(1, 3), TC12-B-\*(1, 3), TC12-M-\*(1, 3);

**Beschreibung:** Prozessthermometer Typ TR12 und TC12 zum Einbau in ein Schutzrohr  
**Description:** Process thermometer model TR12 and TC12 for additional thermowell

gemäß gültigem Datenblatt:  
*according to the valid data sheet:* TE 60.16, TE 60.17, TE 65.16, TE 65.17

mit den nachfolgenden relevanten Harmonisierungsvorschriften der Union  
übereinstimmen:  
*are in conformity with the following relevant Union harmonization*

*Applied harmonised standards:*

2011/65/EU	Gefährliche Stoffe (RoHS) <i>Hazardous substances (RoHS)</i>	EN IEC 63000:2018
2014/30/EU	Elektromagnetische Verträglichkeit (EMV) <i>Electromagnetic Compatibility (EMC)</i>	EN 61326-1:2013 <sup>(5)</sup> EN 61326-2-3:2013 <sup>(5)</sup>
2014/34/EU	Explosionsschutz (ATEX) <sup>(1, 2, 3, 4)</sup> <i>Explosion protection (ATEX)</i> <sup>(1, 2, 3, 4)</sup>	Refer to annex

- (1) Die folgenden Buchstaben für die Ex-Zertifizierung ersetzen den Platzhalter \*:  
*The following letters for the Ex certification replace the placeholder \*:*  
A, B, C, D, E, F, G, H, I, J, K, L, M, O, P, Q, R, S, T, U, V, W, X, Y
- (2) EG-Baumusterprüfbescheinigung TÜV 10 ATEX 555793 X von TÜV NORD CERT GmbH (Reg.-Nr. 0044)  
*EC type-examination certificate TÜV 10 ATEX 555793 X of TÜV NORD CERT GmbH (Reg. no. 0044)*
- (3) EU-Baumusterprüfbescheinigung BVS 07 ATEX E 071 X von DEKRA Testing and Certification GmbH (Reg. Nr. 0158)  
*EU type examination certificate BVS 07 ATEX E 071 X of DEKRA Testing and Certification GmbH (Reg. No. 0158)*
- (4) Modul A, interne Fertigungskontrolle  
*Module A, internal control of production*
- (5) Gilt nur mit eingebautem WIKA Transmitter. Werden Transmitter von anderen Herstellern verwendet, können diese anderen Normen entsprechen. Es sind dann die mitgelieferten Anleitungen und EU-Konformitätserklärungen dieser Transmitter zu beachten.  
*Applies only to built-in WIKA transmitter. When using transmitters of other manufacturers, other standards may apply. The instructions and EU Declarations of Conformity supplied with these transmitters must then be observed.*

Unterszeichnet für und im Namen von / *Signed for and on behalf of*

**WIKAI Alexander Wiegand SE & Co. KG**  
Klingenberg, 2022-11-02

Stefan Heidinger, Vice President  
Electrical Temperature Measurement

WIKAI Alexander Wiegand SE & Co. KG  
Alexander-Wiegand-Straße 30  
63911 Klingenberg  
Germany  
WEEE-Reg.-Nr. DE 92770372

Tel. +49 9372 132-0  
Fax +49 9372 132-406  
E-Mail info@wikai.de  
www.wikai.de

Kommanditgesellschaft, Sitz Klingenberg =  
Amtsgericht Aschaffenburg HRA 1819

Roland Stapf, Head of Quality Management  
Process Instrumentation Corporate Quality

Komplementär:  
WIKAI International SE - Sitz Klingenberg -  
Amtsgericht Aschaffenburg HRB 10506  
Vorstand: Alexander Wiegand  
Vorsitzender des Aufsichtsrats: Prof. Dr. Roderich C. Thümmel  
19AR-03458





WIKA subsidiaries worldwide can be found online at [www.wika.com](http://www.wika.com).  
WIKA-Niederlassungen weltweit finden Sie online unter [www.wika.de](http://www.wika.de).  
La liste des filiales WIKA dans le monde se trouve sur [www.wika.fr](http://www.wika.fr).  
La lista de las sucursales WIKA en el mundo puede consultarse en [www.wika.es](http://www.wika.es).



**Importer for UK**  
**WIKA Instruments Ltd**  
Unit 6 and 7 Goya Business park  
The Moor Road  
Sevenoaks  
Kent  
TN14 5GY



**WIKA Alexander Wiegand SE & Co. KG**  
Alexander-Wiegand-Strasse 30  
63911 Klingenberg • Germany  
Tel. +49 9372 132-0  
[info@wika.de](mailto:info@wika.de)  
[www.wika.de](http://www.wika.de)