

OBSOLETE

Hand-held pressure calibrator with integrated pump Model CPH6600

WIKA data sheet CT 16.01



Applications

- Calibration service companies and service industry
- Measurement and control laboratories
- Quality assurance

Special features

- Measurement and electric pressure generation with integrated pump at the touch of a key, from -0.8 ... +20 bar
- Accuracy: 0.025 % (incl. calibration certificate)
- Generation/measurement of 4 ... 20 mA, and 24 V voltage supply to power transmitters
- Accurate temperature measurement with Pt100 resistance thermometer
- Robust and compact design



Hand-held pressure calibrator with integrated pump
model CPH6600

Description

General information

The model CPH6600 hand-held pressure calibrator is a small, lightweight calibrator which can generate pressures of up to 20 bar and vacuum of -0.8 bar through an integrated, high-performance electric pump. The CPH6600 is only slightly larger than the model CPH6400 precision hand-held pressure indicator and weighs less than 1 kg. Due to its compact and ergonomic design the CPH6600 is very lightweight and user-friendly.

Accuracy

The CPH6600 provides an accuracy of 0.025 % FS for the built-in pressure sensor. The temperature compensation of the built-in sensor safeguards the accuracy for applications in the field. Readings can be displayed in one of 15 standard units.

Features

A connection for an external pressure module supports all model CPT6600 and CPT6100 WIKA/Mensor pressure modules. Thus a pressure measurement is possible for even wider pressure measuring ranges and better accuracy. In addition, in combination with an external temperature sensor,

simultaneous temperature measurement is also possible with the CPH6600. Additional functions, such as pressure switch tests and the display of the test items deviation in percent, increase the user-friendliness of the CPH6600.

Software

The WIKA-CAL calibration software is available for online calibration in combination with a PC. Using this software, the data is automatically transferred into a printable calibration certificate. Furthermore, WIKA-CAL also offers, over and above PC-supported calibration, the management of the calibration and instrument data in an SQL database.

Complete service case

For maintenance and service applications, a fully equipped service case system is available.

Certified accuracy

For the model CPH6600 hand-held pressure calibrator, the accuracy is certified by a factory calibration certificate which accompanies the instrument. On request, we can provide a DKD/DAkkS calibration certificate for this instrument.

**Specifications
Model CPH6600****Measuring ranges****Pressure**

Gauge pressure	-0.8 ... +2 bar	-0.8 ... +10 bar	-0.8 ... +20 bar
Overpressure safety	4 bar	13 bar	40 bar
Burst pressure	20 bar	20 bar	135 bar
Absolute pressure	0,2 ... 2 bar abs.	0,2 ... 10 bar abs.	
Overpressure safety	4 bar abs.	13 bar abs.	
Burst pressure	20 bar abs.	20 bar abs.	
Accuracy	0.025 % FS		
Resolution	5-digit		

Current

Measuring range	0 ... 24 mA (max. load 1,000 Ω)
Resolution	1 μ A
Accuracy	0.015 % of measured value \pm 2 μ A (simulation and measurement)

Voltage

Measuring range	DC 0 ... 30 V
Resolution	1 mV
Accuracy	0.015 % of measured value \pm 2 mV (measurement)

Temperature

Measuring range	-40 ... +150 $^{\circ}$ C
Resolution	0.01 $^{\circ}$ C
Accuracy	0.015 % of measured value \pm 20 m Ω , or 0.2 $^{\circ}$ C for complete measuring chain (Pt100 resistance thermometer and CPH6600)

Base instrument

Pressure connection	$\frac{1}{8}$ NPT female
Permissible media	clean, dry, non-corrosive gases compatible with silicon, Pyrex, RTV, gold, ceramic, nickel and aluminium
Temperature compensation	15 ... 35 $^{\circ}$ C
Temperature coefficient	0.005 % of the span/ $^{\circ}$ C outside of 15 ... 35 $^{\circ}$ C
Units	psi, bar, mbar, kPa, MPa, kg/cm ² , mmH ₂ O (4 $^{\circ}$ C), mmH ₂ O (20 $^{\circ}$ C), cmH ₂ O (4 $^{\circ}$ C), cmH ₂ O (20 $^{\circ}$ C), inH ₂ O (4 $^{\circ}$ C), inH ₂ O (20 $^{\circ}$ C), inH ₂ O (60 $^{\circ}$ F), mmHg (0 $^{\circ}$ C), inHg (0 $^{\circ}$ C)

Output

Voltage supply	DC 24 V
----------------	---------

Power supply

Batteries	DC 12 V, eight AA batteries
Battery life ¹⁾	125 pump cycles to 20 bar 300 pump cycles to 10 bar 1,000 pump cycles to 2 bar

Permissible ambient conditions

Operating temperature	-10 ... +50 $^{\circ}$ C
Storage temperature	-20 ... +60 $^{\circ}$ C
Relative humidity	35 ... 85 % r. h. (no condensation)

Communication

Interface	RS-232 via special interface cable
-----------	------------------------------------

1) Minimum data for the included batteries.

Case	
Material	Blend of polycarbonate and ABS
Dimensions	103.3 x 229.0 x 70.7 mm
Weight	950 g

EC conformity, approvals and certificates	
EC conformity	
EMC directive	2004/108/EC, EN 61326 emission (group 1, class B) and interference immunity (portable measuring equipment)
Approval	
GOST	Metrology/measurement technology, Russia
Certificate	
Calibration	Standard: 3.1 calibration certificate per DIN EN 10204 Option: DKD/DAkkS calibration certificate
Recommended calibration interval	1 year (dependent on conditions of use)

Approvals and certificates, see website

Available pressure ranges and their resolutions

Pressure ranges and factors				
	Gauge pressure	-0.8 ... +2 bar	-0.8 ... +10 bar	-0.8 ... +20 bar
	Overpressure safety	4 bar	13 bar	40 bar
	Burst pressure	20 bar	20 bar	135 bar
Unit	Conversion factor			
psi	1	30.000	150.00	300.00
bar	0.06894757	2.0684	10.342	20.684
mbar	68.94757	2,068.4	10,342	20,684
kPa	6.894757	206.84	1,034.2	2,068.4
MPa	0.00689476	0.2068	1.0342	2.0684
kg/cm ²	0.07030697	2.1092	10.546	21.092
cmH ₂ O (4 °C)	70.3089	2,109.3	10,546	21,093
cmH ₂ O (20 °C)	70.4336	2,113.0	10,565	21,130
mmH ₂ O (4 °C)	703.089	21,093	-	-
mmH ₂ O (20 °C)	704.336	21,130	-	-
inH ₂ O (4 °C)	27.68067	830.42	4,152.1	8,304.2
inH ₂ O (20 °C)	27.72977	831.89	4,159.5	8,318.9
inH ₂ O (60 °F)	27.70759	831.23	4,156.1	8,312.3
mmHg (0 °C)	51.71508	1,551.5	7,757.3	15,515
inHg (0 °C)	2.03602	61.081	305.40	610.81

Features

Temperature, current and voltage

A Pt100 resistance thermometer (RTD) is available as an option for measuring temperatures with an accuracy of ± 0.2 °C. In addition the CPH6600 measures and simulates also a 4 ... 20 mA loop current signal, can measure up to DC 30 V and comes with an internal DC 24 V power supply to power the transmitter being calibrated.

Display

The CPH6600 displays up to three calibration values simultaneously. This means that the internal pressure sensor, an external pressure sensor, the temperature (from an optional temperature sensor) or electrical values (mA or DC V) can be displayed simultaneously. The instrument has a large graphical LCD display with backlighting

Pressure ranges

The CPH6600 can be delivered in different ranges of 2 bar, 10 bar and 20 bar relative as well as 2 bar and 10 bar absolute. Each pressure range can be generated with the integrated electric pump at the touch of a key. The fine adjustment will be done with the internal volume slide.

Functions

The new CPH6600 pressure calibrator has a complete range of useful functions. Switch tests can be performed via the internal or external pressure input. The deviation of the test item is calculated directly from the CPH6600 and indicated on the display.

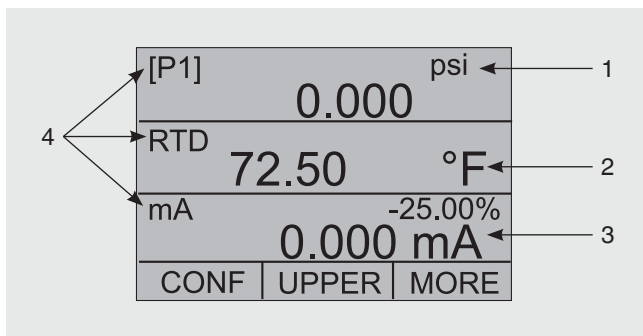
A damping function is available. Up to five frequently used instrument settings can be stored and then retrieved at the touch of a key.

Similarly, high-accuracy model CPT6100 external pressure sensors can be connected via a sensor cable. This allows accuracies of up to 0.01 % to be achieved.

Compact and robust

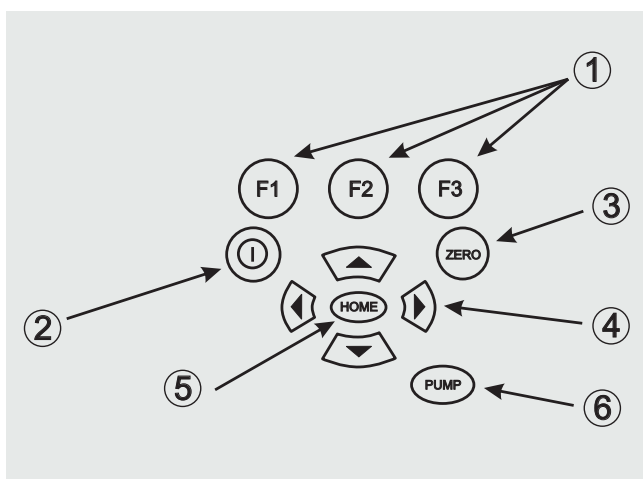
The CPH6600, with its compact and robust design, is powered by eight standard AA batteries. Through the integrated power-save function of the CPH6600, the battery pack has a life of a minimum of 125 pump cycles to 20 bar, 300 pump cycles to 10 bar and 1,000 pump cycles to 2 bar.

Display layout



- 1) Pressure units**
Indication of the pressure unit (selectable from 15 pressure units)
- 2) Units**
Indication of the measuring unit
- 3) Display of the span**
Indication of the 4 ... 20 mA span (only for the functions mA and mA current loop)
- 4) Primary parameters**
Indication of the current measured parameters

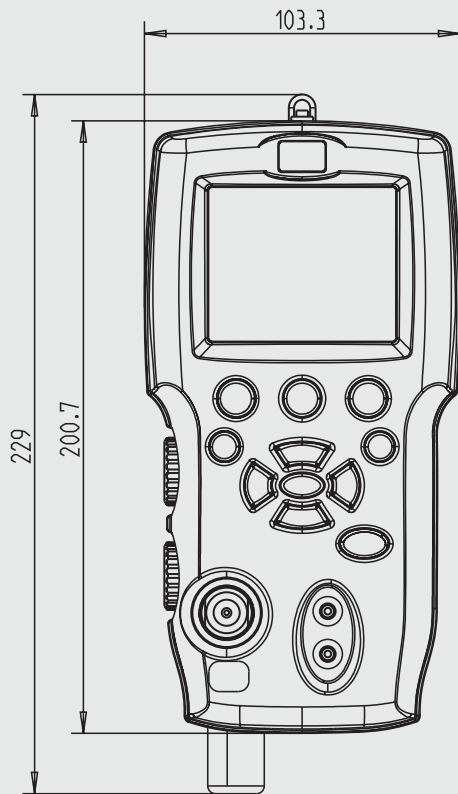
Keypad



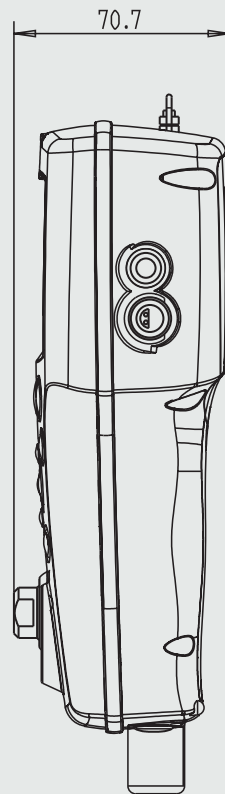
- 1) Function keys**
Configuration of the calibrator
- 2) ON/OFF key**
Turning the calibrator on and off
- 3) ZERO key**
Zeroing of the pressure measurement
- 4) Arrow keys**
Control of the current source/current simulation and adjustment of the pump limit and the %-error limit
- 5) HOME key**
Return to main menu
- 6) PUMP key**
Start-up of the pump operation

Dimensions in mm

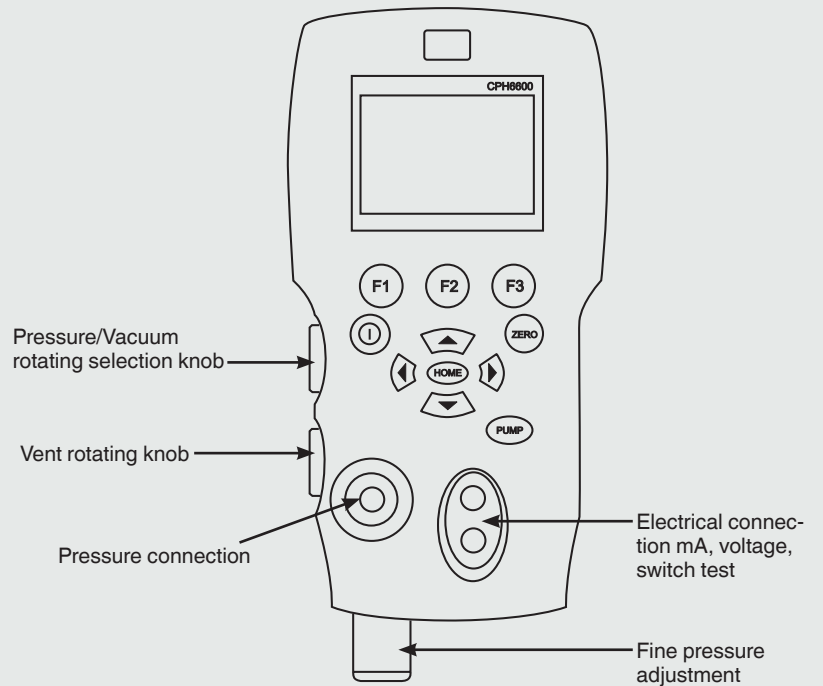
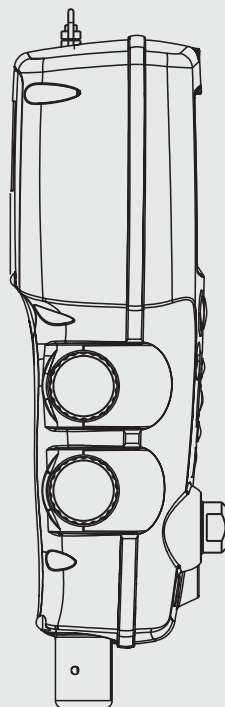
Front view



Side view, right

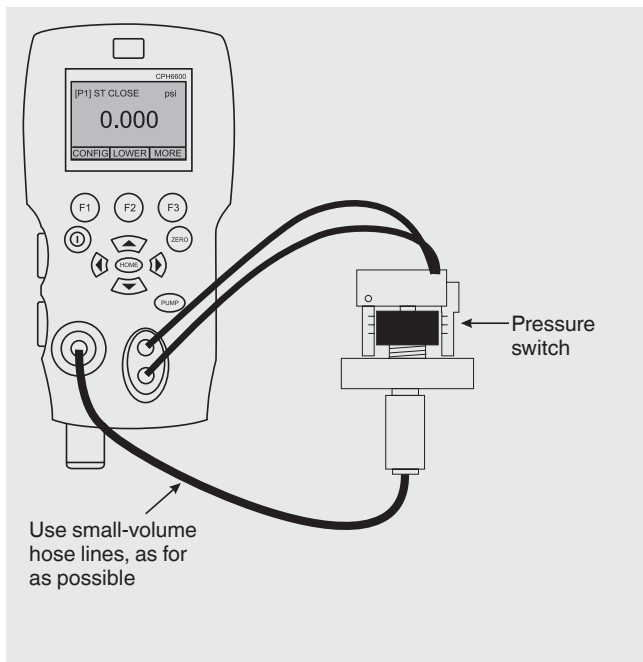


Side view, left



Special operating modes

Operating mode: pressure switch test



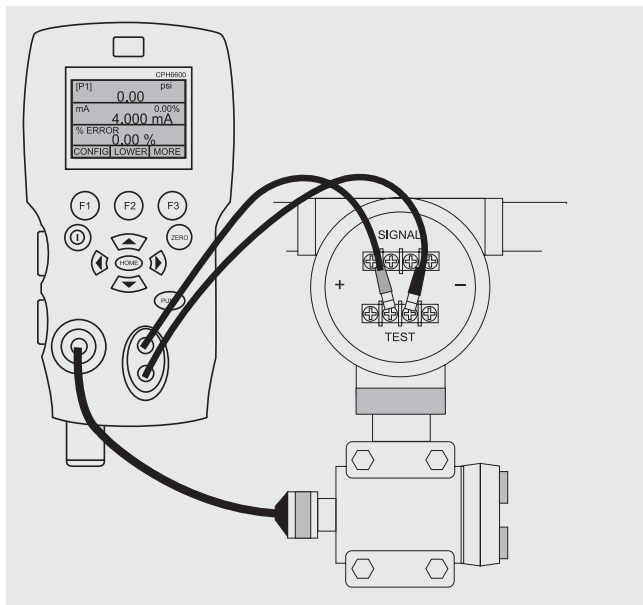
Pressure switch test

With the pressure switch function, the CPH6600 can indicate the pressures at which the switch closes or opens. In addition, the hysteresis can be calculated.

In the switch test mode the display update rate is increased to capture changing pressure inputs quickly.

If required, the ambient or medium temperature can be measured with an external Pt100 resistance thermometer simultaneously.

Operating mode: calibrating transmitters and %-error function



Calibrating transmitters

With the mA measuring function, the 4 ... 20 mA output of the instrument which is currently being calibrated can be read. This can be done in two ways.

- 1) **Passively** – the device under test generates 4 ... 20 mA directly. The value is read on the calibrator.
- 2) **Actively** – the calibrator supplies a voltage of DC 24 V to the device under test to power the device while reading the resulting 4 ... 20 mA signal.

The calibrator features a special function which can calculate the error in the pressure value from the mA value as a percentage of the 4 ... 20 mA span. The %-error mode uses all three screens and has a special menu structure. It displays pressure, mA and %-error simultaneously.

Example:

A transmitter to be tested has a measuring range of 2 bar and outputs a corresponding 4 ... 20 mA signal. The user can program in a 0 ... 2 bar pressure span into the calibrator and the calibrator will then calculate and display the deviation or error in a percentage value of the 4 ... 20 mA output. This is produced without the need for any manual calculation, which is also an advantage if it is difficult to set an accurate pressure using an external pump.

Dirt trap

The CPH6600 should only be used with dry and clean test items. Soiling of the integrated pump, for example through contaminated test items, can cause a defect or require the pump to be cleaned.

By using the dirt trap specifically developed for the CPH6600, contamination of the integrated pump can be prevented.

Using the dirt trap

The dirt trap is attached, hand-tight, to the calibrator's pressure connection. The seal is made by the O-ring incorporated into the dirt trap's $\frac{1}{8}$ NPT male thread. The maximum working pressure is limited to 35 bar.

The test item is mounted to the upper connection of the dirt trap, using a suitable sealing method. The connection to the test item is usable universally as $\frac{1}{8}$ NPT female or $\frac{1}{8}$ BSP female. Use a $\frac{7}{8}$ " or 23 mm spanner on the hex of the upper pressure port to connect the test item with the dirt trap.

As soon as either moisture or dirt can be seen in the transparent chamber, the dirt trap should be removed and cleaned.

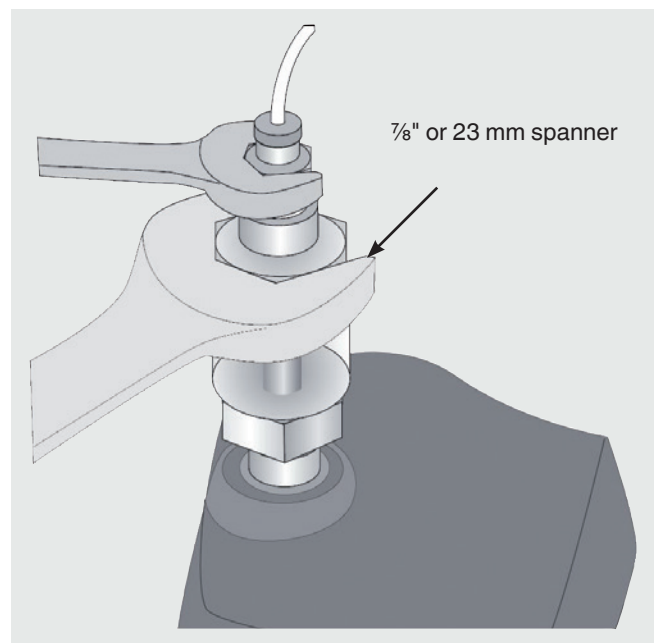
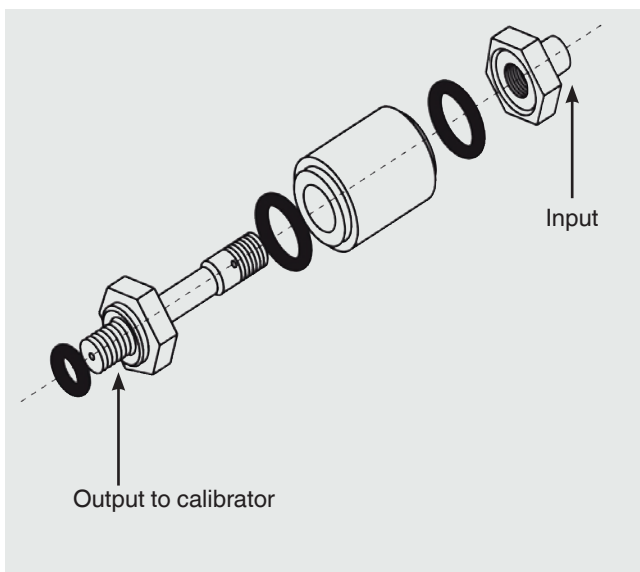
Once the upper dirt trap connection has been unscrewed, the transparent acrylic chamber and the O-rings can be removed and cleaned with a clean cloth.



Hand-held pressure indicator with mounted dirt trap



Dirt trap



Scope of delivery

- Model CPH6600 hand-held pressure calibrator with integrated pump
- Operating instructions
- Test cables
- Calibration hose with 1/8 NPT male thread connections
- Adapter set consisting of:
 - 1/8 NPT female to 1/4 NPT female
 - 1/8 NPT female to 1/4 BSP female
 - 1/8 NPT female to G 1/2 female
- PTFE thread seal tape
- Eight AA batteries
- 3.1 calibration certificate per DIN EN 10204



Hand-held pressure calibrator with service case

Option

- DKD/DAkkS certified accuracy

Accessories

Connection adapters

- Various pressure adapters

Dirt trap

- Dirt trap (Order no. 13477103)

Temperature probe

- Pt100 resistance thermometer (Order no. 13274130)

Power supply

- Battery set, consisting of four rechargeable AA batteries (Order no. 12981746)
- Battery charger set, consisting of eight rechargeable AA batteries, quick charger, power cord, adapter set (Order no. 14055054)

Connection cables

- RS-232 interface cable (Order no. 14006096)

Test cases

- Service case (Order no. 13374657)

Software

- WIKA-CAL calibration software

Ordering information

Model / Unit / Pressure range / Type of certificate / Temperature probe / Temperature calibration / Dirt trap / Transport case / Additional ordering information

© 2009 WIKA Alexander Wiegand SE & Co. KG, all rights reserved.
The specifications given in this document represent the state of engineering at the time of publishing.
We reserve the right to make modifications to the specifications and materials.