

Appendix

Cross Reference BFT

Replaced Type	Type	Description
ZVS	BFT-H	Cylindrical float, stainless steel
ZTS	BFT-H	Cylindrical float, titanium
ZVSS	BFT-S	Corrugated float, stainless steel
ZTSS	BFT-S	Corrugated float, titanium
ZPPS	BFT-P	Plastic float, PP
ZPFS	BFT-P	Plastic float, PVDF
ZFCS	BFT-F	Foam float
ZTKS	BFT-K	Ball-segment float
BG10xxx	Successor: BFT-.	Floats in various designs (Phönix). Please contact our Customer Service.

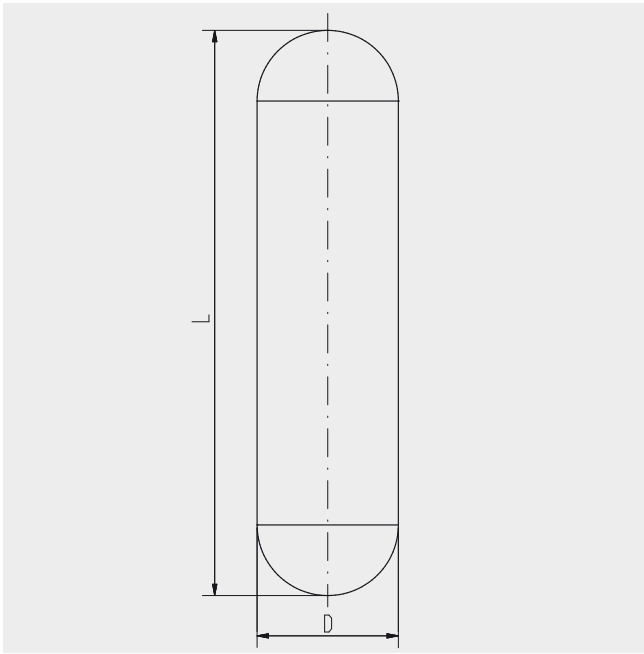
Type Code

Code	
1	Basic type
ZVS	Cylindrical float, stainless steel
ZTS	Cylindrical float, titanium
ZVSS	Corrugated float, stainless steel
ZTSS	Corrugated float, titanium
ZPPS	Plastic float, PP
ZPFS	Plastic float, PVDF
ZFCS	Foam float
ZTKS	Ball-segment float
2	Diameter
...	in mm (omitted for OD 50 or 50,8)
3	Length
...	in mm
4	Pressure stage
...	in bar
5	Magnetic system
...	
6	Interface float (omitted when not required)
...	

Ordering Example

	Basic type	Diameter	Length	Pressure stage	Magnetic system	Interface
Code	1	- 2	- 3	- 4	- 5	- 6

BFT-H32

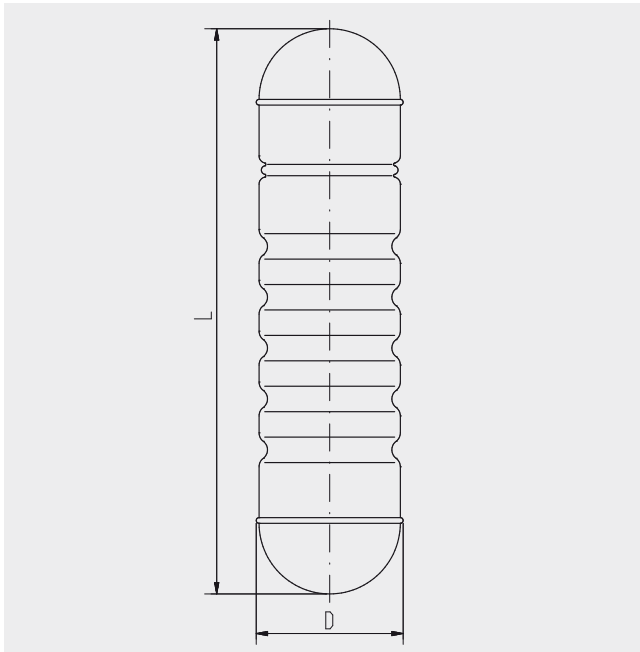


Technical Specifications

Form: Cylindrical float
 Temperature: -200 ... +400°C

Type	PN	Density range [kg/m ³]	Diameter [mm]	Length [mm]	Material	Order no.
ZVS32/125/PN16/A990	16	1270 - 2000	32	125	Stainless steel (1.4571)	506369
ZVS32/150/PN16/A990	16	1090 - 1350	32	150	Stainless steel (1.4571)	030098
ZVS32/180/PN16/A990	16	940 - 1110	32	180	Stainless steel (1.4571)	029781
ZVS32/210/PN16/A990	16	850 - 980	32	210	Stainless steel (1.4571)	100430
ZVS32/245/PN16/A990	16	780 - 880	32	245	Stainless steel (1.4571)	110570
ZVS32/285/PN16/A990	16	730 - 800	32	285	Stainless steel (1.4571)	032023
ZVS32/125/PN40/A990	40	1360 - 2000	32	125	Stainless steel (1.4571)	506374
ZVS32/155/PN40/A990	40	1140 - 1400	32	155	Stainless steel (1.4571)	030108
ZVS32/185/PN40/A990	40	1010 - 1180	32	185	Stainless steel (1.4571)	029808
ZVS32/225/PN40/A990	40	900 - 1020	32	225	Stainless steel (1.4571)	030107
ZVS32/265/PN40/A990	40	820 - 910	32	265	Stainless steel (1.4571)	030106
ZVS32/315/PN40/A990	40	760 - 830	32	315	Stainless steel (1.4571)	029828
ZTS32/125/PN40/A990	40	1130 - 2000	32	125	Titanium (3.7035)	029834
ZTS32/160/PN40/A990	40	900 - 1100	32	160	Titanium (3.7035)	029835
ZTS32/200/PN40/A990	40	770 - 900	32	200	Titanium (3.7035)	030104
ZTS32/240/PN40/A990	40	670 - 770	32	240	Titanium (3.7035)	030293
ZTS32/290/PN40/A990	40	610 - 680	32	290	Titanium (3.7035)	030090
ZTS32/350/PN40/A990	40	560 - 620	32	350	Titanium (3.7035)	030743
ZTS32/420/PN40/A990	40	530 - 570	32	420	Titanium (3.7035)	030101
ZTS32/510/PN40/A990	40	490 - 530	32	510	Titanium (3.7035)	031537

BFT-S50

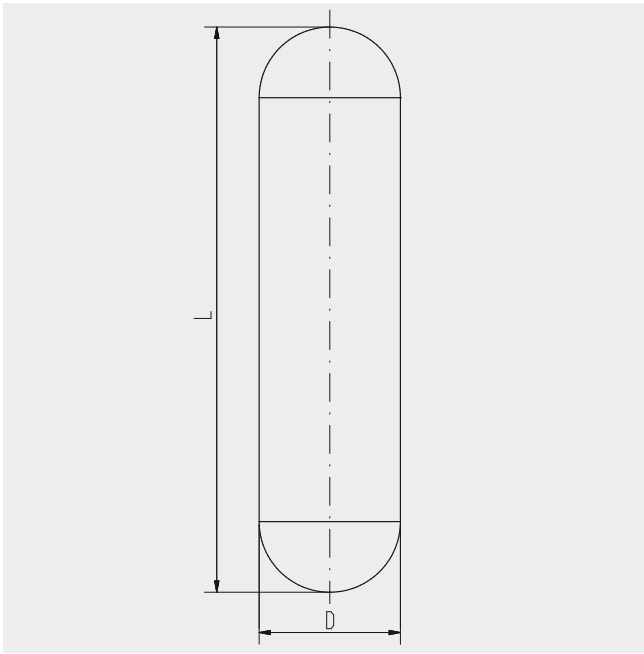


Technical Specifications

Form: Corrugated float
 Temperature: -50 ... +200°C

Type	PN	Density range [kg/m ³]	Diameter [mm]	Length [mm]	Material	Order no.
ZVSS150/PN25/R48H	25	990 - 2000	50	150	Stainless steel (1.4571)	029044
ZVSS185/PN25/R48H	25	830 - 1000	50	185	Stainless steel (1.4571)	029045
ZVSS225/PN25/R48H	25	730 - 840	50	225	Stainless steel (1.4571)	029046
ZVSS275/PN25/R48H	25	640 - 730	50	275	Stainless steel (1.4571)	029047
ZVSS335/PN25/R48H	25	590 - 650	50	335	Stainless steel (1.4571)	029048
ZVSS400/PN25/R48H	25	550 - 600	50	400	Stainless steel (1.4571)	031229
ZVSS470/PN25/R48H	25	520 - 560	50	470	Stainless steel (1.4571)	031230
ZVSS555/PN25/R48H	25	490 - 530	50	555	Stainless steel (1.4571)	031231
ZVSS650/PN25/R48H	25	470 - 500	50	650	Stainless steel (1.4571)	031232
ZTSS150/PN25/R48H	25	820 - 2000	50,8	150	Titanium (3.7035)	031235
ZTSS180/PN25/R48H	25	710 - 850	50,8	180	Titanium (3.7035)	030683
ZTSS215/PN25/R48H	25	600 - 710	50,8	215	Titanium (3.7035)	030684
ZTSS250/PN25/R48H	25	540 - 610	50,8	250	Titanium (3.7035)	029034
ZTSS300/PN25/R48H	25	480 - 540	50,8	300	Titanium (3.7035)	029035
ZTSS355/PN25/R48H	25	430 - 490	50,8	355	Titanium (3.7035)	029036
ZTSS410/PN25/R48H	25	400 - 440	50,8	410	Titanium (3.7035)	029037
ZTSS465/PN25/R48H	25	380 - 410	50,8	465	Titanium (3.7035)	029038
ZTSS525/PN25/R48H	25	370 - 390	50,8	525	Titanium (3.7035)	029039
ZTSS595/PN25/R48H	25	360 - 380	50,8	595	Titanium (3.7035)	029040
ZTSS680/PN25/R48H	25	340 - 370	50,8	680	Titanium (3.7035)	029041

BFT-H



Technical Specifications

Code 1 Basic type	Code 2 Diameter	Code 3 Length	Code 4 Pressure stage	Code 5 Magnetic system	[Code 6 Interface]
ZVS	[omitted]	...	PN	[...]

s. Type code

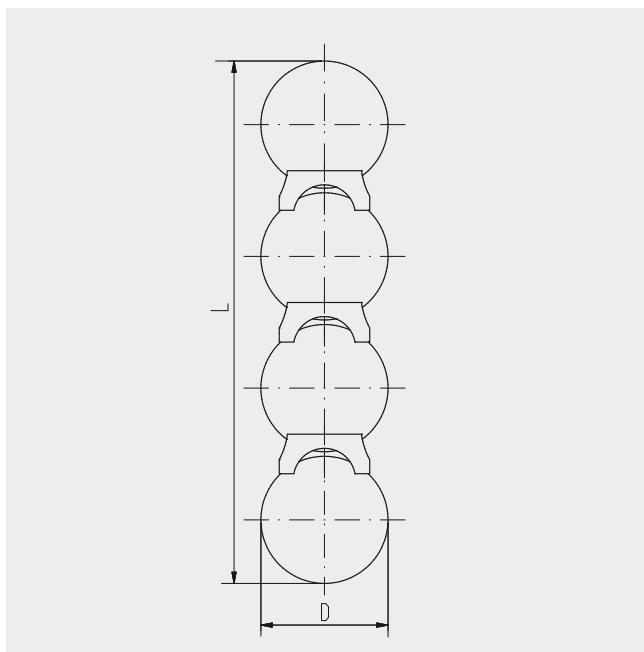
Design and float specification depending on pressure, density and temperature.

Form:	Cylindrical float
Material:	Stainless steel 1.4571
Diameter:	50 mm
Length:	150 – 650 mm (depends on pressure, density and temperature)
Max. pressure:	< 40 bar
Temperature:	-200 ... +450°C

Code 1 Basic type	Code 2 Diameter	Code 3 Length	Code 4 Pressure stage	Code 5 Magnetic system	[Code 6 Interface]
ZTS	PN	[...]

Form:	Cylindrical float
Material:	Titanium 3.7035
Diameter:	45 / 50,8 / 60 mm
Length:	150 – 650 mm (depends on pressure, density and temperature)
Max. pressure:	< 100 bar
Temperature:	-200 ... +450°C

BFT-K



Technical Specifications

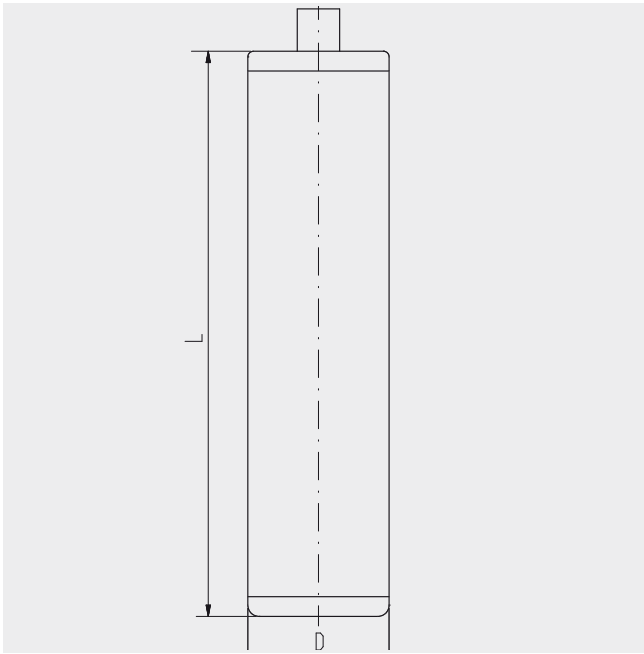
Code 1 Basic type	Code 2 Diameter	Code 3 Length	Code 4 Pressure stage	Code 5 Magnetic system	[Code 6 Interface]
ZTKS	PN	[...]

s. Type code

Design and float specification depending on pressure, density and temperature.

Form:	Ball-segment float
Material:	Titanium 3.7035
Diameter:	45 / 50,8 / 60 mm
Length:	150 – 700 mm (depends on pressure, density and temperature)
Max. pressure:	< 250 bar
Temperature:	-200 ... +450°C

BFT-P



Technical Specifications

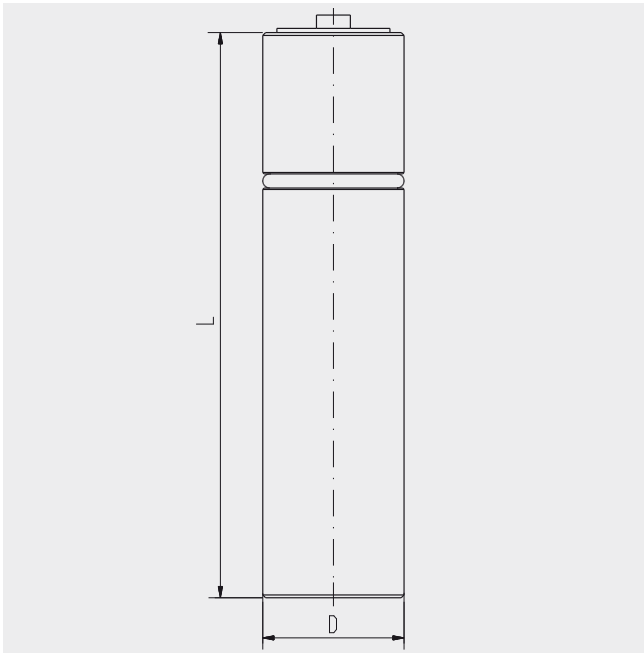
Code 1 Basic type	Code 2 Diameter	Code 3 Length	Code 4 Pressure stage	Code 5 Magnetic system	[Code 6 Interface]
ZPPS ZPFS	[omitted]	...	PN	[...]

s. Type code

Design and float specification depending on pressure, density and temperature.

Form:	Plastic float
Material:	PP / PVDF
Diameter:	50 mm
Length:	150 – 450 mm (depends on pressure, density and temperature)
Max. pressure:	< 6 bar
Temperature:	-20 ... +80°C (PP) -50 ... +100°C (PVDF)

BFT-F



Technical Specifications

Code 1 Basic type	Code 2 Diameter	Code 3 Length	Code 4 Pressure stage	Code 5 Magnetic system	[Code 6 Interface]
ZFCS	PN	[...]

s. Type code

Design and float specification depending on pressure, density and temperature.

Form:	Foam float
Material:	Syntactic Foam
Diameter:	40 - 80 mm
Length:	150 – 750 mm (depends on pressure, density and temperature)
Max. pressure:	< 600 bar
Temperature:	-20 ... +100°C

© 2014 KSR KUEBLER Niveau-Messtechnik AG, all rights reserved.
The specifications given in this document represent the state of engineering at the time of publishing.
We reserve the right to make modifications to the specifications and materials.



KSR KUEBLER Niveau-Messtechnik AG
Heinrich-Kuebler-Platz 1
69439 Zwingenberg/Germany
Tel. +49 6263 87-0
Fax +49 6263 8799
info@ksr-kuebler.com
www.ksr-kuebler.com