

Bourdon tube pressure gauge, stainless steel

For highest pressure applications to 3,000 bar

Model PG23HP-S

WIKA data sheet PM 02.28



For further approvals
see page 3

Applications

- For liquid media in high-pressure applications (e.g. water, hydraulic oil)
- Test benches (e.g. for hydraulic components)
- Water jet cutting
- High-pressure cleaning
- High-pressure generation

Special features

- Safety pressure gauge with solid baffle wall designed in compliance with the requirements and test conditions of the DIN 16001 high-pressure standard
- Wetted parts from stainless steel 316L
- Long service life with static pressure profiles
- Scale ranges: 0 ... 2,000 bar, 0 ... 2,500 bar and 0 ... 3,000 bar or 0 ... 30,000 psi and 0 ... 40,000 psi
- QR code on dial links to instrument-specific information



Bourdon tube pressure gauge model PG23HP-S

Description

The model PG23HP-S Bourdon tube pressure gauge has been designed specifically for high-pressure applications up to 3,000 bar.

Typical measuring points for this pressure gauge can be found in water jet cutting, high-pressure cleaning and test bench construction.

WIKA manufactures and qualifies the model PG23HP-S in accordance with the requirements of the new DIN 16001 high-pressure standard in the "S3" safety version. The safety version is made up of laminated safety glass, a solid baffle wall between measuring system and dial and a blow-out back. In the event of a failure, the operator is protected at the front side, as media or components can only be ejected via the back of the instrument.

The proven, all-welded construction ensures a long service life and permanent sealing.

The resistance to shock and vibration can be increased by the optional case filling.

The QR code on the dial allows instrument-specific information such as the serial number, the order number, certificates and other product data to be retrieved from the internet easily and in the long term.

Specifications

Design

DIN 16001

Nominal size in mm

100, 160

Accuracy class

1.6

Scale range in bar	Scale range in psi
0 ... 2,000	0 ... 30,000
0 ... 2,500	0 ... 40,000
0 ... 3,000	-

Pressure limitation

Steady: 3/4 x full scale value

Fluctuating: 2/3 x full scale value

Short time: Full scale value

Permissible temperature

Ambient: -40 ... +60 °C

Medium: +200 °C maximum with unfilled instruments
+100 °C maximum with filled instruments

Temperature effect

When the temperature of the measuring system deviates from the reference temperature (+20 °C):
max. $\pm 0.4 \%$ /10 K of full scale value

Ingress protection

IP65 per IEC/EN 60529

Process connection

Stainless steel 316L

NS 100: Lower mount (radial) or back mount

NS 160: Lower mount (radial)

- G 1/2 B (up to max. 2,500 bar)
 - M16 x 1.5 (female) with inner sealing cone 60°
- Subsequent threads per "Autoclave Engineers"
- 9/16 - 18 UNF (female) with 60° sealing cone
 - 5/8 - 18 UNF x 27 (female) with inner sealing cone 60°
 - Others on request

Pressure element

Stainless steel 316L, helical type

Movement

Stainless steel

Dial

Aluminium, white, black lettering

Pointer

Aluminium, black

Case

Stainless steel, with solid baffle wall (Solidfront) and blow-out back

Window

Laminated safety glass

Ring

Bayonet ring, stainless steel



Case filling (option)

- Glycerine
- Silicone oil M50





Options

- Ingress protection IP66
- Panel mounting flange, stainless steel or polished stainless steel
- Surface mounting lugs on the back, stainless steel
- Mark pointer adjustable from the outside
- Mark pointer on bayonet ring adjustable from the outside

Approvals

Logo	Description	Region
	EU declaration of conformity Pressure Equipment Directive PS > 200 bar, module A, pressure accessory	European Union
	UKCA Pressure equipment (safety) regulations	United Kingdom
-	CRN Safety (e.g. electr. safety, overpressure, ...)	Canada

Optional approvals

Logo	Description	Region
 	EU declaration of conformity ATEX directive Hazardous areas - Ex h Gas II 2G Ex h IIC T6 ... T1 Gb X Dust II 2D Ex h IIIC T85°C ... T450°C Db X	European Union
	PAC Kazakhstan Metrology, measurement technology	Kazakhstan
-	PAC Ukraine Metrology, measurement technology	Ukraine
	PAC Uzbekistan Metrology, measurement technology	Uzbekistan

Certificates (option)

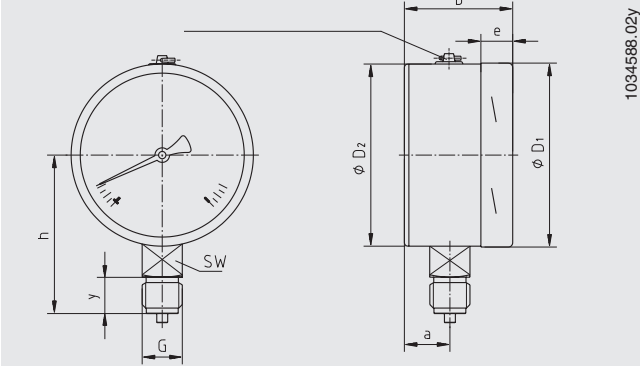
Certificates	
Certificates	<ul style="list-style-type: none"> ■ 2.2 test report per EN 10204 (e.g. state-of-the-art manufacturing, indication accuracy) ■ 3.1 inspection certificate per EN 10204 (e.g. material proof for wetted metal parts, indication accuracy)
Recommended calibration interval	1 year (dependent on conditions of use)

→ For approvals and certificates, see website

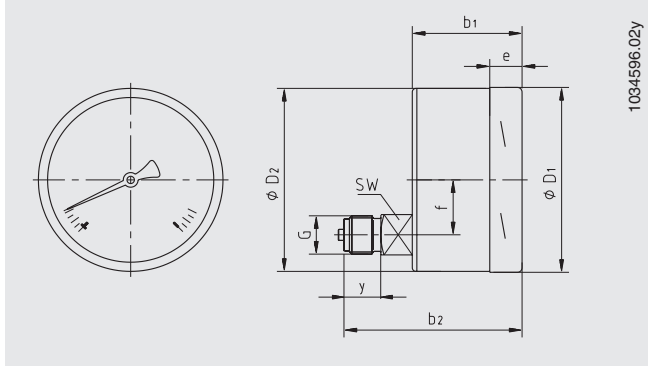
Dimensions in mm

Standard version

Lower mount (radial)

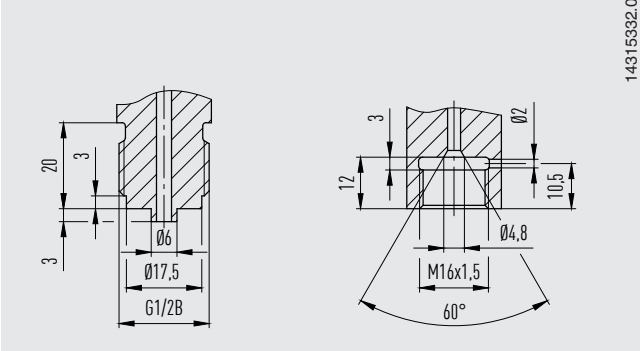


Lower back mount (only NS 100)

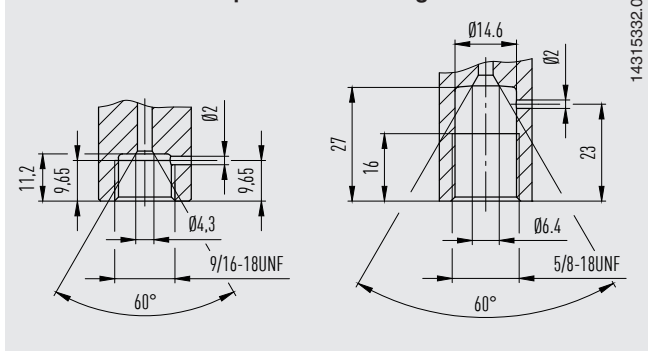


NS	Dimensions in mm												Weight in kg	
	a	b	b ₁	b ₂	D ₁	D ₂	e	f	G	h ±1	y	SW	unfilled	filled
100	25	59	59.5	93	101	99	17	30	G ½ B	87	23	22	0.65	1.08
160	27	65	-	-	161	159	17.5	-	G ½ B	118	23	22	1.30	2.34

Process connections



Process connections per "Autoclave Engineers"



Ordering information

Model / Nominal size / Scale range / Process connection / Connection location / Options

© 09/2017 WIKA Alexander Wiegand SE & Co. KG, all rights reserved.
 The specifications given in this document represent the state of engineering at the time of publishing.
 We reserve the right to make modifications to the specifications and materials.
 In case of a different interpretation of the translated and the English data sheet, the English wording shall prevail.

