

OEM compact pressure switch Basic version Model PSM06

WIKA data sheet PV 34.86

Applications

- Machine building and plant construction
- Pneumatics
- Hydraulics
- Media: Compressed air, neutral and self-lubricating fluids, neutral gases

Special features

- Reliable and cost-effective
- Compact design
- 10⁶ switching cycles
- Setting ranges from 0.2 ... 2 bar to 100 ... 350 bar



OEM compact pressure switch, basic version,
model PSM06

Description

Model PSM06 screw-in pressure switches in a diaphragm or piston design open or close a circuit, depending on whether the pressure is dropping or rising. The easy and convenient setting of the switch point is enabled via an adjustment screw. Optionally, WIKA offers customers the factory setting of the switch point.

The small installation size makes this pressure switch especially interesting for customers for whom small space requirements play an important role in their design and for applications where high setting ranges are required.

Model PSM06 pressure switches find an application wherever gaseous and liquid media are used. Thus the pressure switches are mainly used in the machine-building, plant-construction, pneumatics and hydraulics industries, but also in general industrial applications.

Standard version

Case

Steel, galvanised

Reproducibility

±5 % of full scale value

Permissible temperature

Ambient: -25 ... +85 °C

Medium: -25 ... +85 °C

Process connection

Steel, galvanised

G 1/4

G 1/8

M12 x 1.5

M10 x 1, tapered

Measuring element

Diaphragm or piston with compression spring

Sealing

Diaphragm: NBR

Piston: UR

Switch contacts

Contacts silver-plated

Switching function

Selectable: Normally open, normally closed

Switching power

Switching voltage: DC / AC 42 V

Switching current: 2 A

Electrical connection

Blade terminal 2 x 6.3 x 0.8

Switching frequency

max. 200/min

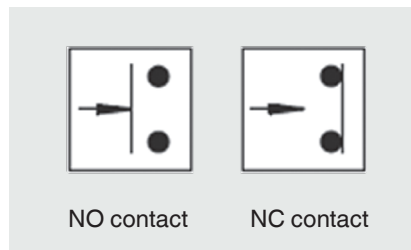
Service life

> 1 x 10⁶ switching cycles

Ingress protection

IP 00

Switch configuration



Setting ranges, max. working pressure, measuring principle, hysteresis

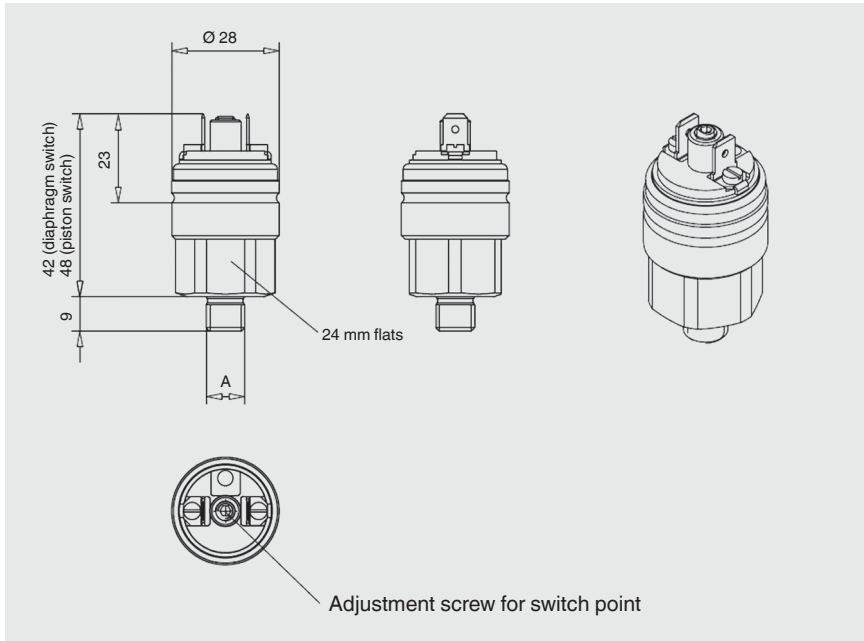
Setting ranges in bar	Max. working pressure in bar	Measuring principle	Hysteresis
0.3 ... 2	2	Diaphragm	10 ... 15 %
1 ... 10	10	Diaphragm	10 ... 15 %
10 ... 70	70	Piston	10 ... 15 %
50 ... 200	200	Piston	10 ... 15 %
100 ... 350	350	Piston	10 ... 15 %

Options

- Factory setting of the switch point
- Other materials on request
- Cable preparation on request
- Gold contacts
- Other process connection

Dimensions in mm

Standard version



Ordering information

Model / Setting range / Switching function / Process connection / Sealing / Electrical connection / Options

© 2014 WIKA Alexander Wiegand SE & Co. KG, all rights reserved.
The specifications given in this document represent the state of engineering at the time of publishing.
We reserve the right to make modifications to the specifications and materials.