

| | | | |
|------------------------------------|--------|---------|----|
| Pressure sensor, model MH-4-CAN | Page | 2 - 15 | EN |
| Drucksensor, Typ MH-4-CAN | Seite | 16 - 29 | DE |
| Capteur de pression, type MH-4-CAN | Page | 30 - 43 | FR |
| Sensor de presión, modelo MH-4-CAN | Página | 44 - 57 | ES |



Pressure sensor, model MH-4-CAN



Contents

EN

| | |
|--|-----------|
| 1. General information | 3 |
| 2. Design | 3 |
| 3. Safety | 4 |
| 4. Mounting | 6 |
| 5. Faults | 9 |
| 6. Maintenance | 11 |
| 7. Dismounting, return and disposal | 11 |
| 8. Specifications | 12 |

Declarations of conformity can be found online at www.wika.com.

1. General information / 2. Design

1. General information

- Prior to starting any work, read the operating instructions! Keep for later use!
- These operating instructions contain important information on handling the instrument. Working safely requires that all safety instructions and work instructions are observed.
- In case of a different interpretation of the translated and the English operating instructions, the English wording shall prevail.
- The general terms and conditions of WIKA Alexander Wiegand SE & Co. KG shall apply.
- Further information:
 - Internet address: www.wika.de / www.wika.com
 - Data sheet: PE 83.02
 - Additional information: Special Documentation CANopen
Special Documentation SAE J1939
 - Technical information: IN 00.14 Tapped holes for process connections
IN 00.50 Electrical mounting

EN

2. Design

2.1 Overview



- ① Electrical connection
- ② Case, spanner flats
- ③ Case
- ④ Process connection, spanner flats
- ⑤ Process connection, thread

3. Safety

3. Safety

3.1 Explanation of symbols and terms

**WARNING!**

... indicates a potentially dangerous situation that can result in serious injury or death, if not avoided.

**CAUTION!**

... indicates a potentially dangerous situation that can result in light injuries or damage to property or the environment, if not avoided.

**Information**

... points out useful tips, recommendations and information for efficient and trouble-free operation.

3.2 Intended use

The model MH-4-CAN is a pressure sensor that is used for pressure measurement in mobile working machines. The pressure sensor may only be used in such applications as are within its technical performance limits, in particular with regard to its material resistance limit, leakage rate limits and permissible temperature and pressure limits. It is the sole responsibility of the manufacturer or operator of a machine or plant to ensure the suitability of the pressure sensor, and its media resistance, within the application through proper choice of materials and maintenance cycles.
→ For performance limits, see chapter 8 „Specifications“.

The model MH-4-CAN has been developed for the pressure measurement of non-hazardous fluids, liquids and gases (classification in accordance with Directive 2014/68/EU Article 13, Regulation (EC) No. 1272/2008, or GHS1)) which are mainly used for cooling, lubrication, cleaning or power transmission in industrial machines.

The mounting, dismounting, installation, parameterisation and maintenance of the pressure sensor in industrial environments absolutely requires suitably skilled personnel in accordance with chapter 3.4 „Personnel qualification“.

The instrument has been designed and built solely for the intended use described here, and may only be used accordingly.

The manufacturer shall not be liable for claims of any type based on operation contrary to the intended use.

3. Safety

3.3 Improper use

Any use beyond or different to the intended use is considered as improper use. Unauthorised modifications to the instrument are not permissible.

Use in the following application areas counts as improper use:

- Safety or emergency shutdown devices
- Hazardous areas
- Abrasive or viscous media and applications with hydrogen and oxygen
- Rail vehicles, medical devices, refrigeration technology and water pumps
- Places of use that are not protected from weather influences (in the framework of UL approval)
- Processes with high condensation

3.4 Personnel qualification

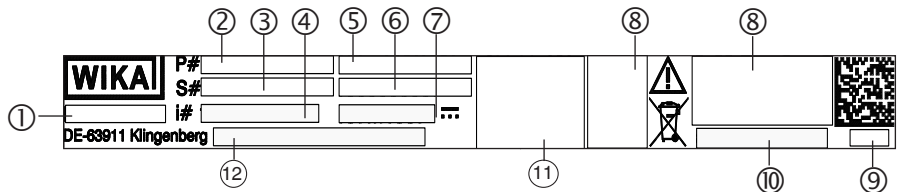
Skilled personnel

Skilled personnel, authorised by the operator, are understood to be personnel who, based on their technical training, knowledge of measurement and control technology and on their experience and knowledge of country-specific regulations, current standards and directives, must be capable of carrying out the work described and independently recognising potential hazards.

3. Safety / 4. Mounting

3.5 Labelling, safety markings

Product label (example)



- | | | |
|-------------------------------|-------------------|------------------------------|
| ① Model designation (version) | ⑤ Measuring range | ⑨ Coded date of manufacture |
| ② Article number | ⑥ Output signal | ⑩ Selectable additional text |
| ③ Digital serial number | ⑦ Auxiliary power | ⑪ Pin assignment |
| ④ Serial number | ⑧ Approvals | ⑫ Maximum current supply |



Before mounting and commissioning the instrument, ensure you read the operating instructions!



DC voltage



Do not dispose of with household waste. Ensure a proper disposal in accordance with national regulations.

4. Mounting

4.1 Mechanical mounting

Only use the pressure sensor if it is in perfect condition with respect to safety.

Prior to commissioning, the pressure sensor must be subjected to a visual inspection.

- Leaking liquid is indicative of damage.
- Obvious damage must be reported immediately.

4. Mounting

Mounting the instrument

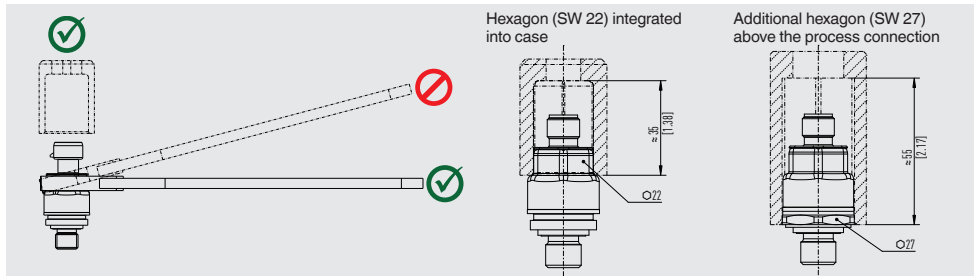


The max. torque depends on the mounting point (e.g. material and shape). If you have any questions, please contact our application consultant.

→ For contact details, see chapter 1 "General information" or the back page of the operating instructions.

EN

1. Seal the sealing faces.
2. At the mounting point, screw the pressure sensor in hand-tight.
3. Tighten with a torque wrench using the spanner flats.
 - Hexagon at the case, spanner width 22 mm:
 - Open-ended spanner: 30 Nm \pm 5 %
 - Socket wrench: 50 Nm \pm 5 %
 - Optional hexagon at the process connection, spanner width 27 mm:
 - Open-ended spanner: 50 Nm \pm 5 %
 - Socket wrench: 50 Nm \pm 5 %



The correct torque depends on the dimensions of the connection thread and the sealing used (form/material).

Operation with version MH-4-CAN (v) with vented electrical output

The instruments must not be sealed at the venting, e.g. painted over, otherwise the pressure compensation to the environment is not guaranteed and the accuracy cannot be maintained.

4. Mounting

The following must be observed when using the vented electrical connection: Avoid contact of the electrical connection with diesel fuel. The installation conditions for the pressure sensor must be selected so that contact with extremely fluctuating temperatures and salty ambient conditions (air, liquids) is avoided.

EN For information on tapped holes and welding sockets, see technical information IN 00.14 at www.wika.com.

4.2 Electrical mounting

Voltage supply

- For auxiliary power, see product label.
- For further details on electrical mounting, see IN 00.50.

This equipment is intended for operation with low voltages which are separated from the AC 230 V / 50 Hz mains voltage or voltages greater than AC 50 V or DC 120 V for dry environments. A connection to an SELV circuit is recommended, or alternatively to circuits with a different protective measure in accordance with IEC 60364-4-41 installation standard.

For instruments with North American certification per UL/CSA IEC 61010-1:

The supply for the pressure sensor must be made via a limited-energy circuit in accordance with section 9.4 of UL/EN/IEC 61010-1 or LPS in accordance with UL/EN/IEC 60950-1/CSA C22.2 No.60950-1 or UL/EN/IEC 62368-1 or Class 2 in accordance with UL1310/UL1585 (NEC or CEC). The voltage supply must be suitable for operation above 2,000 m should the pressure sensor be used at this altitude.

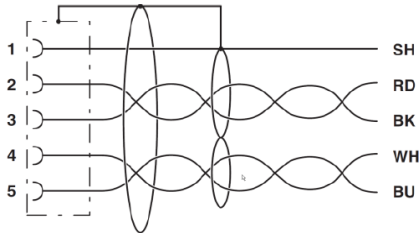
Shielding and grounding

The instrument must be grounded via the process connection.
Operate the instrument with shielded cables and ground the shield at both cable ends.

Properly integrate the instrument into the vehicle's grounding concept. With vehicle makes using a 12 V or 24 V electrical system, connect the battery ground to the bodywork. The pressure connection must be connected to the bodywork ground.

4. Mounting / 5. Faults

Since the electrical connection is made of plastic, it is necessary to use a cable with the following shield connection:



Cables, connectors and terminating resistors which are used in a CAN network must comply with the requirements of ISO 11898-2.

Pin assignment

- For pin assignments, see product label.
- The cable must be shielded and the shielding must be connected to pin 1 of the M12 connector.

5. Faults



CAUTION!

Physical injuries and damage to property and the environment

If faults cannot be eliminated by means of the listed measures, the pressure sensor must be taken out of operation immediately.

- ▶ Ensure that pressure or signal is no longer present and protect against accidental commissioning.
- ▶ Contact the manufacturer.
- ▶ If a return is needed, please follow the instructions given in 7.2 "Return".



For contact details, see chapter 1 "General information" or the back page of the operating instructions.

In the event of any faults, first check whether the pressure sensor is mounted correctly, mechanically and electrically.

5. Faults

| Faults | Causes | Measures |
|--|---|---|
| Plastic has faded | UV irradiation | No measures required Discolouration is harmless |
| No output signal | Cable break | Check the continuity, and if necessary exchange the cable |
| | No/wrong auxiliary power | Correct the auxiliary power |
| No/wrong output signal | Wiring error | Rectify the wiring |
| Constant output signal upon change in pressure | Mechanical overload caused by overpressure | Replace instrument; if it fails repeatedly, contact the manufacturer. |
| Signal span too small/drops | Mechanical overload caused by overpressure | Replace instrument; if it fails repeatedly, contact the manufacturer. |
| | Seal/sealing face damaged or soiled, seal does not have a tight fit, threads jammed | Clean the seal/sealing face, replace seal if applicable |
| Signal span varies/inaccurate | EMC interference sources in the environment, e.g., frequency converter | Shield instrument; cable shield; remove source of interference |
| | Operating temperature too high/low | Lower/increase the temperature |
| | Instrument not grounded | Ground the instrument |
| | Strongly fluctuating pressure of the process medium | Damping; consulting by the manufacturer |
| Deviating zero point signal | Operating temperature too high/low | Lower/increase the temperature |
| | Other mounting position | Adjust the zero point |
| | Overpressure limit exceeded | Reduce the pressure |

6. Maintenance / 7. Dismounting, return and disposal

6. Maintenance

6.1 Maintenance

This pressure sensor is maintenance-free.

Repairs must only be carried out by the manufacturer.

6.2 Cleaning

Only use commercially available and solvent-free cleaning agents.

7. Dismounting, return and disposal

7.1 Dismounting



WARNING!

Hazardous media

- ▶ Should a failure occur, aggressive media with extremely high temperature and under high pressure or vacuum may be present at the instrument.
- ▶ Depressurise and deenergise the pressure sensor before dismantling it.

7.2 Return



WARNING!

Physical injuries and damage to property and the environment through residual media

Residual media in the dismantled instrument can result in a risk to persons, the environment and equipment.

- ▶ In case of hazardous substances, enclose the material safety data sheet for the corresponding medium.

Strictly observe the following when shipping the instrument:

All instruments delivered to WIKA must be free from any kind of hazardous substances (acids, bases, solutions, etc.) and must therefore be cleaned before being returned.

When returning the instrument, use the original packaging or a suitable transport packaging.

7. Dismounting, return and disposal / 8. Specifications



Information on returns can be found under the heading “Service” on our local website.

EN

7.3 Disposal

Incorrect disposal can put the environment at risk.

Dispose of instrument components and packaging materials in an environmentally compatible way and in accordance with the country-specific waste disposal regulations.



Do not dispose of with household waste. Ensure a proper disposal in accordance with national regulations.

8. Specifications

Depending on the selected instrument version (e.g. seals), the specification may deviate from the specifications listed here. The specifications in the order documentation are definitive.

→ For further specifications, see WIKA data sheet PE 83.02.

Specifications

| | |
|---|--|
| Measuring range | → See product label |
| Max. measured error | → See “Total probable error per IEC 62828-2” below |
| Total probable error per IEC 62828-2 | → See diagram “Total probable error” on page 14 |
| Maximum working pressure | → Corresponds to the upper measuring range value/measuring range full scale value |
| Overpressure limit per IEC 62828-1 | The overpressure limit is based on the measuring range. Depending on the selected process connection and sealing, restrictions in overpressure limit can result. |
| Measuring ranges ≤ 400 bar [$\leq 5,000$ psi] | 3 times |
| Measuring range 600 bar [8,000 psi] | 2 times |
| Vacuum resistance | Yes |

8. Specifications

Specifications

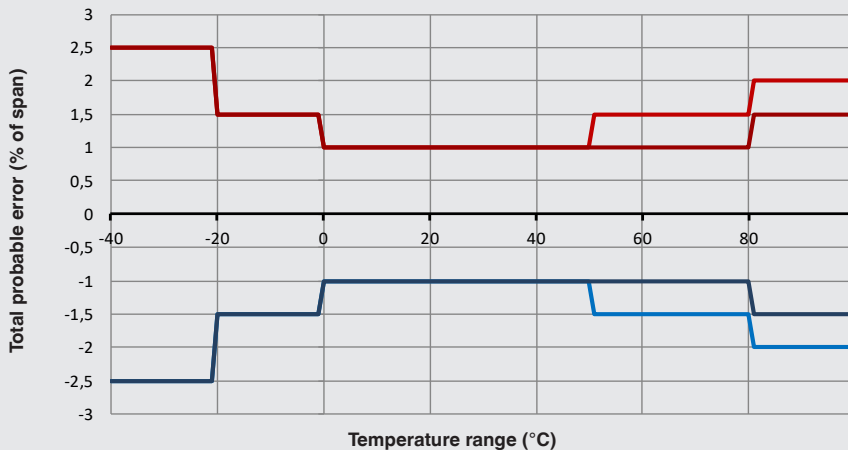
| | |
|--|---|
| Output signal | → See product label |
| Auxiliary power | → See product label |
| Current supply | → See product label |
| Short-circuit resistance | CAN-High/CAN-Low vs. U+/U- (U+ : ≤ DC 24 V) |
| Reverse polarity protection | U+ vs. U- (no reverse polarity protection with ratiometric output signal) |
| Pin assignment | → See product label |
| Insulation voltage | DC 500 V |
| Material (wetted) | Stainless steel 304L, PH grade steel |
| Medium temperature limit | -40 ... +100 °C [-40 ... +212 °F] |
| Ambient temperature limit | -40 ... +85 °C [-40 ... +185 °F] |
| Storage temperature limit | -40 ... +70 °C [-40 ... +158 °F] |
| Relative humidity per EN 60068-2-78 | 93 % at 55 °C [131 °F] |
| Permissible pollution degree | 2 |
| Service life | > 100 million load cycles |

EN

8. Specifications

Total probable error

Including non-linearity ¹⁾, hysteresis, non-repeatability, zero point and end value deviation, temperature error, temperature hysteresis and error through atmospheric pressure fluctuations

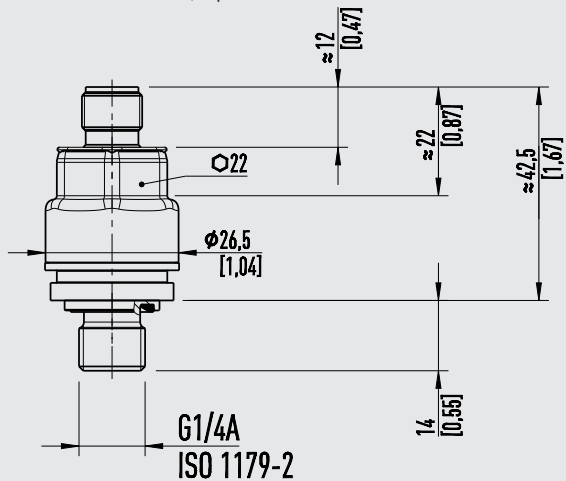


- MH-4-CAN: Measuring ranges ≥ 160 bar ... 600 bar
- MH-4-CAN (v): Measuring ranges ≥ 40 bar ... < 160 bar
- MH-4-CAN: Measuring ranges ≥ 40 bar ... < 160 bar

8. Specifications

Dimensions in mm [in]

Circular connector M12 x 1, 5-pin



Weight: 80 g [0.18 lbs]

EN

Inhalt

| | |
|---|-----------|
| 1. Allgemeines | 17 |
| 2. Aufbau | 17 |
| 3. Sicherheit | 18 |
| 4. Montage | 20 |
| 5. Störungen | 23 |
| 6. Wartung | 24 |
| 7. Demontage, Rücksendung und Entsorgung | 25 |
| 8. Technische Daten | 26 |

Konformitätserklärungen finden Sie online unter www.wika.de.

1. Allgemeines / 2. Aufbau

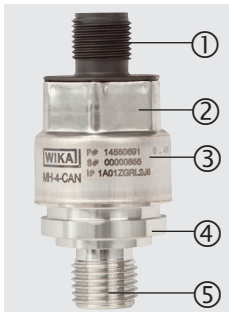
1. Allgemeines

- Vor Beginn aller Arbeiten Betriebsanleitung lesen! Zum späteren Gebrauch aufbewahren!
- Diese Betriebsanleitung gibt wichtige Hinweise zum Umgang mit dem Gerät. Voraussetzung für sicheres Arbeiten ist die Einhaltung aller angegebenen Sicherheitshinweise und Handlungsanweisungen.
- Bei unterschiedlicher Auslegung der übersetzten und der englischen Betriebsanleitung ist der englische Wortlaut maßgebend.
- Es gelten die allgemeinen Geschäftsbedingungen der WIKA Alexander Wiegand SE & Co. KG.
- Weitere Informationen:
 - Internet-Adresse: www.wika.de / www.wika.com
 - Datenblatt: PE 83.02
 - Zusatzinformation: Special Documentation CANopen
Special Documentation SAE J1939
 - Technische Information: IN 00.14 Einschraublöcher für Prozessanschlüsse
IN 00.50 Elektrische Montage

DE

2. Aufbau

2.1 Übersicht



- ① Elektrischer Anschluss
- ② Gehäuse, Schlüsselfläche
- ③ Gehäuse
- ④ Prozessanschluss, Schlüsselfläche
- ⑤ Prozessanschluss, Gewinde

3. Sicherheit

3.1 Symbol- und Begriffserklärung



WARNUNG!

... weist auf eine möglicherweise gefährliche Situation hin, die zum Tod oder zu schweren Verletzungen führen kann, wenn sie nicht gemieden wird.



VORSICHT!

... weist auf eine möglicherweise gefährliche Situation hin, die zu geringfügigen oder leichten Verletzungen oder Sach- und Umweltschäden führen kann, wenn sie nicht gemieden wird.



Information

... hebt nützliche Tipps und Empfehlungen sowie Informationen für einen effizienten und störungsfreien Betrieb hervor.

3.2 Bestimmungsgemäße Verwendung

Der Typ MH-4-CAN ist ein Drucksensor, der zur Druckmessung in mobilen Arbeitsmaschinen verwendet wird.

Der Drucksensor darf nur in solchen Anwendungen verwendet werden, die innerhalb seiner technischen Leistungsgrenzen, insbesondere hinsichtlich dessen Materialbeständigkeitsgrenze, Grenzleckgerate sowie zulässigen Temperatur- und Druckgrenzwerten liegen.

Es obliegt allein der Verantwortung des Herstellers bzw. Betreibers einer Maschine oder Anlage, die Eignung des Drucksensors und dessen Messstoffbeständigkeit in der Anwendung durch korrekte Materialwahl und Wartungszyklen sicherzustellen.

→ Leistungsgrenzen siehe Kapitel 8 „Technische Daten“.

Der Typ MH-4-CAN wurde für die Druckmessung nicht gefährlicher Fluide, Flüssigkeiten und Gase entwickelt (Einstufung nach Richtlinie 2014/68/EU Artikel 13, Verordnung (EG) Nr. 1272/2008, bzw. GHS1), die v. a. in der Kühlung, Schmierung, Reinigung oder Kraftübertragung in industriellen Maschinen eingesetzt werden.

Die Montage, Demontage, Installation, Parametrierung und Wartung des Drucksensors in industrieller Umgebung erfordert unbedingt geeignetes Fachpersonal nach Kapitel 3.4 „Personalqualifikation“.

Das Gerät ist ausschließlich für den hier beschriebenen bestimmungsgemäßen Verwendungszweck konzipiert und konstruiert und darf nur dementsprechend verwendet werden.

3. Sicherheit

Ansprüche jeglicher Art aufgrund von nicht bestimmungsgemäßer Verwendung sind ausgeschlossen.

3.3 Fehlgebrauch

Jede über die bestimmungsgemäße Verwendung hinausgehende oder andersartige Benutzung gilt als Fehlgebrauch. Eigenmächtige Umbauten am Gerät sind nicht zulässig.

Der Einsatz in folgenden Anwendungsbereichen gilt als Fehlgebrauch:

- Sicherheits- oder Not-Aus-Einrichtungen
- Explosionsgefährdete Bereiche
- Abrasive und viskose Messstoffe sowie Anwendungen mit Wasserstoff und Sauerstoff
- Schienenfahrzeuge, medizinische Geräte, Kältetechnik und Wasserpumpen
- Nicht vor Wettereinflüssen geschützte Einsatzorte (im Rahmen der UL-Zulassung)
- Prozesse mit starker Betauung

3.4 Personalqualifikation

Fachpersonal

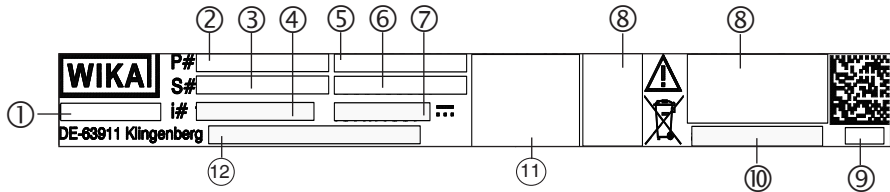
Das vom Betreiber autorisierte Fachpersonal ist aufgrund seiner fachlichen Ausbildung, seiner Kenntnisse der Mess- und Regelungstechnik und seiner Erfahrungen sowie Kenntnis der landesspezifischen Vorschriften, geltenden Normen und Richtlinien in der Lage, die beschriebenen Arbeiten auszuführen und mögliche Gefahren selbstständig zu erkennen.

DE

3. Sicherheit / 4. Montage

3.5 Beschilderung, Sicherheitskennzeichnungen

Typenschild (Beispiel)



- | | | |
|---------------------------------|------------------|-------------------------------|
| ① Typenbezeichnung (Ausführung) | ⑤ Messbereich | ⑨ Kodiertes Herstellungsdatum |
| ② Artikelnummer | ⑥ Ausgangssignal | ⑩ Wählbarer Zusatztext |
| ③ Digitale Seriennummer | ⑦ Hilfsenergie | ⑪ Anschlussbelegung |
| ④ Seriennummer | ⑧ Zulassungen | ⑫ Maximale Stromaufnahme |



Vor Montage und Inbetriebnahme des Geräts unbedingt die Betriebsanleitung lesen!



Gleichspannung



Nicht mit dem Hausmüll entsorgen. Für eine geordnete Entsorgung nach nationaler Vorgaben sorgen.

4. Montage

4.1 Mechanische Montage

Den Drucksensor nur in sicherheitstechnisch einwandfreiem Zustand einsetzen.

Vor der Inbetriebnahme den Drucksensor optisch prüfen.

- Auslaufende Flüssigkeit weist auf eine Beschädigung hin.
- Offensichtliche Schäden unverzüglich mitteilen.

4. Montage

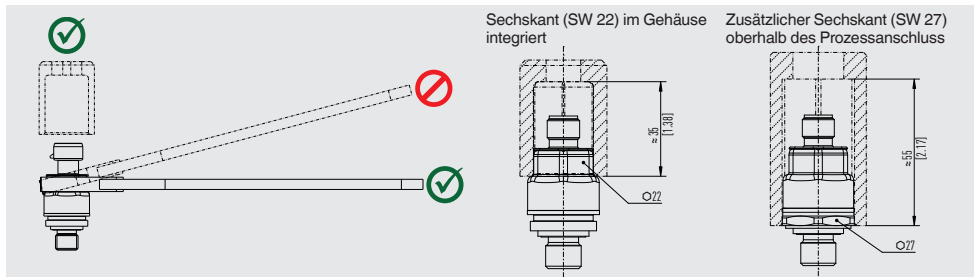
Gerät montieren



Das max. Drehmoment ist abhängig von der Montagestelle (z. B. Werkstoff und Form). Bei Fragen wenden Sie sich an unseren Anwendungsberater.

→ Kontaktdaten siehe Kapitel 1 „Allgemeines“ oder Rückseite der Betriebsanleitung.

1. Dichtfläche abdichten.
2. Drucksensor handfest in Montagestelle einschrauben.
3. Mit Drehmomentschlüssel über Schlüsselfläche anziehen.
 - Sechskant am Gehäuse, Schlüsselweite 22 mm:
 - Gabelschlüssel: 30 Nm \pm 5 %
 - Steckschlüssel: 50 Nm \pm 5 %
 - Optionaler Sechskant am Prozessanschluss, Schlüsselweite 27 mm:
 - Gabelschlüssel: 50 Nm \pm 5 %
 - Steckschlüssel: 50 Nm \pm 5 %



Das richtige Drehmoment ist abhängig von den Abmessungen des Anschlussgewindes sowie der verwendeten Dichtung (Form/Werkstoff).

Betrieb mit Ausführung MH-4-CAN (v) mit belüftetem elektrischen Ausgang

Die Geräte dürfen an der Belüftung nicht verschlossen, z. B. überlackiert werden, da sonst der Druckausgleich zur Umgebung nicht gewährleistet ist und somit die Genauigkeit nicht eingehalten werden kann.

4. Montage

Bei Verwendung des belüfteten elektrischen Anschlusses ist Folgendes zu beachten: Der Kontakt des elektrischen Anschlusses mit Dieselmotorkraftstoff ist zu vermeiden. Die Einbaubedingung des Drucksensors ist so zu wählen, dass der Kontakt mit extrem schwankenden Temperaturen und salzhaltigen Umgebungsbedingungen (Luft, Flüssigkeiten) vermieden wird.

Angaben zu Einschraubblöchern und Einschweißstutzen siehe technische Information IN 00.14 unter www.wika.de.

DE

4.2 Elektrische Montage

Spannungsversorgung

- Hilfsenergie siehe Typenschild.
- Weitere Angaben zur elektrischen Montage siehe IN 00.50.

Dies ist ein Betriebsmittel zum Betrieb mit Kleinspannungen, die von der Netzspannung AC 230 V / 50 Hz - oder Spannungen größer AC 50 V bzw. DC 120 V für trockene Umgebungen - getrennt sind. Empfohlen ist ein Anschluss an einen SELV-Stromkreis oder alternativ an Stromkreise mit einer anderen Schutzmaßnahme nach der Installationsnorm IEC 60364-4-41.

Für Geräte mit nordamerikanischer Zertifizierung nach UL/CSA IEC 61010-1:

Die Versorgung des Drucksensors muss durch einen energiebegrenzten Stromkreis nach 9.4 der UL/EN/IEC 61010-1 oder LPS nach UL/EN/IEC 60950-1/CSA C22.2 No.60950-1 oder UL/EN/IEC 62368-1 oder Class 2 nach UL1310/UL1585 (NEC oder CEC) erfolgen. Die Spannungsversorgung muss für den Betrieb oberhalb 2.000 m geeignet sein, falls der Drucksensor ab dieser Höhe verwendet wird.

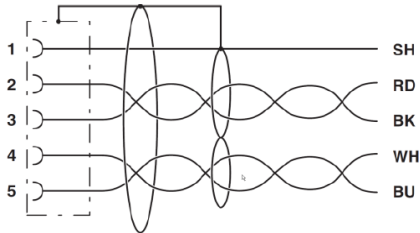
Schirmung und Erdung

- Das Gerät über den Prozessanschluss erden.
- Das Gerät mit geschirmten Kabeln betreiben und den Schirm an beiden Kabelenden erden.

Das Gerät ordnungsgemäß in das Massekonzept des Fahrzeugs integrieren. Bei Fahrzeugtypen mit einem 12 V- oder 24 V-Bordnetz die Batteriemasse auf der Karosserie aufliegen. Der Druckanschluss muss an Karosseriemasse angeschlossen werden.

4. Montage / 5. Störungen

Da der elektrische Anschluss aus Kunststoff besteht, ist die Verwendung eines Kabels mit folgender Schirmverbindung erforderlich:



Kabel, Stecker und Abschlusswiderstände, die in einem CAN-Netzwerk verwendet werden, müssen den Anforderungen der ISO 11898-2 entsprechen.

Anschlussbelegung

- Anschlussbelegungen siehe Typenschild
- Das Kabel muss abgeschirmt und die Abschirmung an Pin 1 des M12-Steckers angeschlossen werden.

5. Störungen



VORSICHT!

Körperverletzungen, Sach- und Umweltschäden

Können Störungen mit Hilfe der aufgeführten Maßnahmen nicht beseitigt werden, Drucksensor unverzüglich außer Betrieb setzen.

- ▶ Sicherstellen, dass kein Druck bzw. Signal mehr anliegt und gegen versehentliche Inbetriebnahme schützen.
- ▶ Kontakt mit dem Hersteller aufnehmen.
- ▶ Bei notwendiger Rücksendung die Hinweise in Kapitel 7.2 „Rücksendung“ beachten.



Kontaktaten siehe Kapitel 1 „Allgemeines“ oder Rückseite der Betriebsanleitung.

5. Störungen

Bei Störungen zuerst überprüfen, ob der Drucksensor mechanisch und elektrisch korrekt montiert ist.

| Störungen | Ursachen | Maßnahmen |
|--|--|--|
| Kunststoff ist ausgeblichen | UV-Einstrahlung | Keine Maßnahmen notwendig Verfärbung ist unbedenklich |
| Kein Ausgangssignal | Leitungsbruch | Durchgang überprüfen, ggf. Leitung austauschen |
| | Keine/Falsche Hilfsenergie | Hilfsenergie korrigieren |
| Kein/Falsches Ausgangssignal | Verdrahtungsfehler | Verdrahtung korrigieren |
| Gleichbleibendes Ausgangssignal bei Druckänderung | Mechanische Überlastung durch Überdruck | Gerät austauschen, bei wiederholtem Ausfall Kontakt mit dem Hersteller aufnehmen |
| Signalspanne zu klein/fällt ab | Mechanische Überlastung durch Überdruck | Gerät austauschen, bei wiederholtem Ausfall Kontakt mit dem Hersteller aufnehmen |
| | Dichtung/Dichtfläche beschädigt oder verschmutzt, Dichtung sitzt nicht korrekt, Gewindegänge verkantet | Dichtung/Dichtfläche säubern, ggf. Dichtung austauschen |
| Signalspanne schwankend/ ungenau | EMV-Störquellen in Umgebung, z. B. Frequenzumrichter | Gerät abschirmen; Leitungsabschirmung; Störquelle entfernen |
| | Zu hohe/niedrige Einsatztemperaturen | Temperatur senken/erhöhen |
| | Gerät nicht geerdet | Gerät erden |
| | Stark schwankender Druck des Prozessmediums | Dämpfung; Beratung durch Hersteller |
| Abweichendes Nullpunktsignal | Zu hohe/niedrige Einsatztemperaturen | Temperatur senken/erhöhen |
| | Abweichende Einbaulage | Nullpunkt korrigieren |
| | Überdruckgrenze überschritten | Druck reduzieren |

6. Wartung / 7. Demontage, Rücksendung und Entsorgung

6. Wartung

6.1 Wartung

Dieser Drucksensor ist wartungsfrei.
Reparaturen sind ausschließlich vom Hersteller durchzuführen.

6.2 Reinigung

Nur handelsübliche und lösungsmittelfreie Reinigungsmittel verwenden.

DE

7. Demontage, Rücksendung und Entsorgung

7.1 Demontage



WARNUNG!

Gefährliche Messstoffe

- ▶ Am Gerät können im Fehlerfall aggressive Messstoffe mit extremer Temperatur und unter hohem Druck oder Vakuum anliegen.
- ▶ Drucksensor vor Demontage druck- und stromlos schalten.

7.2 Rücksendung



WARNUNG!

Körperverletzungen, Sach- und Umweltschäden durch Messstoffreste

Messstoffreste im ausgebauten Gerät können zur Gefährdung von Personen, Umwelt und Einrichtung führen.

- ▶ Bei Gefahrstoffen das Sicherheitsdatenblatt für den entsprechenden Messstoff beilegen.

Beim Versand des Geräts unbedingt beachten:

Alle an WIKA gelieferten Geräte müssen frei von Gefahrstoffen (Säuren, Laugen, Lösungen, etc.) sein und sind daher vor der Rücksendung zu reinigen.

Zur Rücksendung des Geräts die Originalverpackung oder eine geeignete Transportverpackung verwenden.



Hinweise zur Rücksendung befinden sich in der Rubrik „Service“ auf unserer lokalen Internetseite.

7. Demontage, Rücksendung und Entsorgung / 8. Technische Daten

7.3 Entsorgung

Durch falsche Entsorgung können Gefahren für die Umwelt entstehen.

Gerätekomponenten und Verpackungsmaterialien entsprechend den landesspezifischen Abfallbehandlungs- und Entsorgungsvorschriften umweltgerecht entsorgen.



Nicht mit dem Hausmüll entsorgen. Für eine geordnete Entsorgung nach nationalen Vorgaben sorgen.

8. Technische Daten

Abhängig von der gewählten Geräteausführung (z. B. Dichtungen) kann die Spezifikation von den hier aufgeführten technischen Daten abweichen. Führend sind die Angaben in den Bestellunterlagen.

→ Weitere technische Daten siehe WIKA-Datenblatt PE 83.02.

Technische Daten

| | |
|---|--|
| Messbereich | → Siehe Typenschild |
| Max. Messfehler | → Siehe „Wahrscheinlicher Gesamtfehler nach IEC 62828-2“, unten |
| Wahrscheinlicher Gesamtfehler nach IEC 62828-2 | → Siehe Diagramm „Wahrscheinlicher Gesamtfehler“ auf Seite 28 |
| Maximaler Arbeitsdruck | → Entspricht dem oberen Messbereichswert/Messbereichsendwert |
| Überdruckgrenze nach IEC 62828-1 | Die Überdruckgrenze bezieht sich auf den Messbereich. Abhängig vom gewählten Prozessanschluss und der Dichtung können sich Einschränkungen in der Überdruckgrenze ergeben. |
| Messbereiche ≤ 400 bar [≤ 5.000 psi] | 3-fach |
| Messbereich 600 bar [8.000 psi] | 2-fach |
| Vakuumfestigkeit | Ja |
| Ausgangssignal | → Siehe Typenschild |
| Hilfsenergie | → Siehe Typenschild |
| Stromaufnahme | → Siehe Typenschild |
| Kurzschlussfestigkeit | CAN-High/CAN-Low vs. U+/U- (U+: \leq DC 24 V) |

8. Technische Daten

Technische Daten

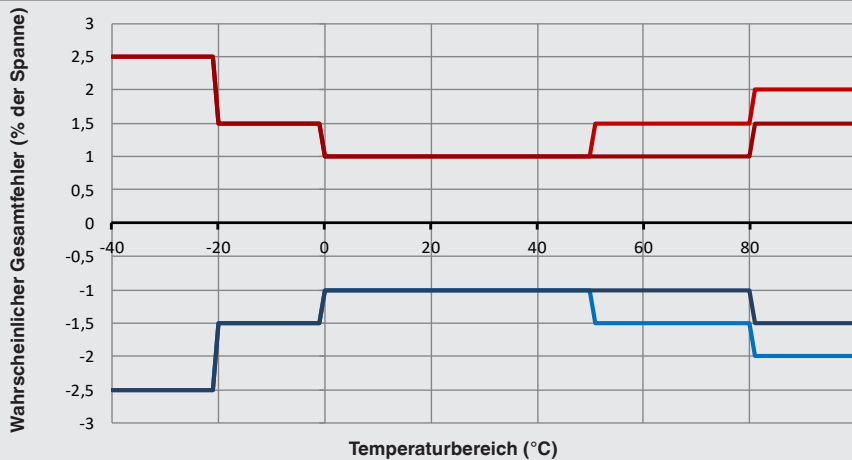
| | |
|--|--|
| Verpolungsschutz | U+ gegen U- (kein Verpolungsschutz bei ratiometrischem Ausgangssignal) |
| Anschlussbelegung | → Siehe Typenschild |
| Isolationsspannung | DC 500 V |
| Werkstoff (messstoffberührt) | CrNi-Stahl 304L, PH-Stahl |
| Messstofftemperaturgrenze | -40 ... +100 °C [-40 ... +212 °F] |
| Umgebungstemperaturgrenze | -40 ... +85 °C [-40 ... +185 °F] |
| Lagertemperaturgrenze | -40 ... +70 °C [-40 ... +158 °F] |
| Relative Feuchte nach EN 60068-2-78 | 93 % bei 55 °C [131 °F] |
| Zulässiger Verschmutzungsgrad | 2 |
| Lebensdauer | > 100 Millionen Lastwechsel |

DE

8. Technische Daten

Wahrscheinlicher Gesamtfehler

Inklusive Nichtlinearität ¹⁾, Hysterese, Nichtwiederholbarkeit, Nullpunkt- und Endwertabweichung, Temperaturfehler, Temperaturhysterese, Fehler durch atmosphärische Luftdruckschwankung

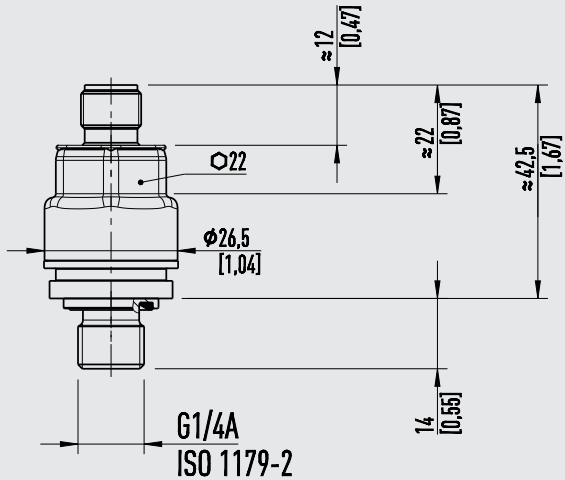


- MH-4-CAN: Messbereiche ≥ 160 bar ... 600 bar
- MH-4-CAN (v): Messbereiche ≥ 40 bar ... < 160 bar
- MH-4-CAN: Messbereiche ≥ 40 bar ... < 160 bar

8. Technische Daten

Abmessungen in mm [in]

Rundstecker M12 x 1, 5-pin



Gewicht: 80 g [0.18 lbs]

DE

Sommaire

| | |
|--|-----------|
| 1. Généralités | 31 |
| 2. Exécution | 31 |
| 3. Sécurité | 32 |
| 4. Installation | 34 |
| 5. Dysfonctionnements | 37 |
| 6. Entretien | 39 |
| 7. Démontage, retour et mise au rebut | 39 |
| 8. Spécifications | 40 |

Déclarations de conformité disponibles sur www.wika.fr.

1. Généralités / 2. Exécution

1. Généralités

- Lire le mode d'emploi avant de commencer toute opération ! A conserver pour une utilisation ultérieure !
- Ce mode d'emploi donne des indications importantes concernant l'utilisation de l'instrument. Il est possible de travailler en toute sécurité avec ce produit en respectant toutes les consignes de sécurité et d'utilisation.
- En cas d'interprétation différente de la version traduite et de la version anglaise du mode d'emploi, c'est la version anglaise qui prévaut.
- Les conditions générales de WIKA Alexander Wiegand SE & Co. KG s'appliquent.
- Pour obtenir d'autres informations :
 - Site Internet : www.wika.fr / www.wika.com
 - Fiche technique : PE 83.02
 - Informations complémentaires : Documentation spéciale CANopen
Documentation spéciale SAE J1939
 - Informations techniques : IN 00.14 Trous taraudés pour les raccords process
IN 00.50 Montage électrique

FR

2. Exécution

2.1 Vue générale



- ① Raccordement électrique
- ② Boîtier, clés plates
- ③ Boîtier
- ④ Raccord process, six pans
- ⑤ Raccord process, filetage

3. Sécurité

3.1 Explication des symboles et termes



AVERTISSEMENT !

... indique une situation présentant des risques susceptibles de provoquer la mort ou des blessures graves si elle n'est pas évitée.



ATTENTION !

... indique une situation potentiellement dangereuse et susceptible de provoquer de légères blessures ou des dommages matériels et pour l'environnement si elle n'est pas évitée.



Information

... met en exergue des conseils et recommandations utiles de même que des informations permettant d'assurer un fonctionnement efficace et normal.

3.2 Utilisation conforme à l'usage prévu

Le type MH-4-CAN est un capteur de pression utilisé pour la mesure de pression dans des engins mobiles.

Le capteur de pression peut être utilisé uniquement dans des applications se trouvant dans les limites de ses performances techniques, en particulier en ce qui concerne la limite de résistance du matériau, les limites du taux de fuite et les limites de température admissible et de pression.

Il est de la seule responsabilité du fabricant ou de l'opérateur d'une machine ou d'une installation d'assurer l'aptitude du capteur de pression et sa résistance aux fluides dans les limites de l'application par le choix correct des matériaux et des cycles d'entretien.

→ Pour les limites de performance voir chapitre 8 „Spécifications“.

Le type MH-4-CAN a été conçu pour mesurer la pression de fluides, de liquides et de gaz non-dangereux (classification en accord avec la Directive 2014/68/UE Article 13, Régulation (CE) N° 1272/2008, ou GHS1)) qui sont principalement utilisés pour le refroidissement, la lubrification, le nettoyage ou la transmission de puissance dans des machines industrielles.

L'installation, le démontage, le montage, le paramétrage et l'entretien du capteur de pression dans des environnements industriels exige du personnel qualifié pour cela en conformité avec le chapitre 3.4 "Qualification du personnel".

3. Sécurité

L'instrument est conçu et construit exclusivement pour une utilisation conforme à l'usage prévu décrit ici et ne doit être utilisé qu'en conséquence.

Aucune réclamation ne peut être recevable en cas d'utilisation non conforme à l'usage prévu.

3.3 Utilisation inappropriée

Toute utilisation différente ou au-delà de l'utilisation prévue est considérée comme inappropriée. Les modifications non autorisées sur l'instrument ne sont pas admissibles.

L'utilisation dans les domaines d'application suivants est considérée comme inappropriée :

- Dispositifs de sécurité ou d'arrêt d'urgence
- Zones explosives
- Fluides abrasifs ou visqueux et applications avec hydrogène et oxygène
- Véhicules ferroviaires, dispositifs médicaux, technologie du froid et pompes à eau
- Lieux d'utilisation non protégés contre les influences des intempéries (dans le cadre de l'homologation UL)
- Process avec forte condensation

3.4 Qualification du personnel

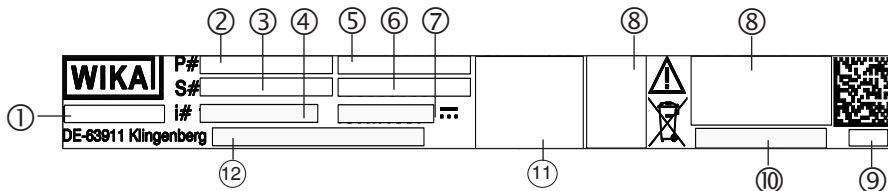
Personnel qualifié

Le personnel qualifié, autorisé par l'opérateur, doit être, en raison de sa formation spécialisée, de ses connaissances dans le domaine de l'instrumentation de mesure et de régulation et de son expérience, de même que de sa connaissance des réglementations nationales et des normes en vigueur, en mesure d'effectuer les travaux décrits et d'identifier de façon autonome les dangers potentiels.

3. Sécurité / 4. Installation

3.5 Etiquetage, marquages de sécurité

Plaque signalétique (exemple)



- | | | |
|---------------------------------|---------------------------|---------------------------------------|
| ① Désignation du type (version) | ⑤ Etendue de mesure | ⑨ Date de fabrication codée |
| ② Numéro d'article | ⑥ Signal de sortie | ⑩ Texte supplémentaire sélectionnable |
| ③ Numéro de série numérique | ⑦ Alimentation auxiliaire | ⑪ Configuration du raccordement |
| ④ Numéro de série | ⑧ Agréments | ⑫ Alimentation de courant maximale |



Lire impérativement le mode d'emploi avant le montage et la mise en service de l'instrument !



Tension DC



Ne pas mettre au rebut avec les ordures ménagères. Assurer une mise au rebut correcte en conformité avec les réglementations nationales.

4. Installation

4.1 Montage mécanique

Le capteur de pression ne doit être utilisé qu'en parfait état de sécurité technique.

Avant la mise en service, le capteur de pression doit être soumis à un contrôle visuel.

- L'existence d'une fuite de liquide indique des dommages.
- Communiquer immédiatement les dégâts constatés.

4. Installation

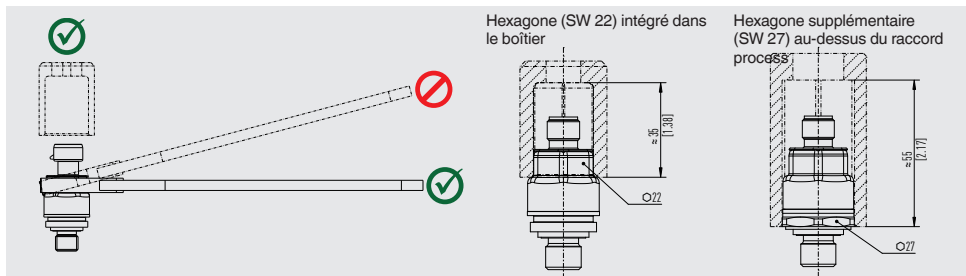
Montage de l'instrument



Le couple maximum dépend du point d'installation (par exemple matériau et forme). Si vous avez des questions, veuillez contacter notre conseiller applications.

→ Pour le détail des contacts, voir le chapitre 1 "Généralités" ou au dos du mode d'emploi.

1. Utiliser des joints d'étanchéité.
2. A l'endroit d'installation, visser le capteur de pression en serrant à la main.
3. Serrer avec une clé dynamométrique en utilisant le surplat.
 - Hexagone sur le boîtier, ouverture de clé 22 mm :
 - Clé plate : 30 Nm \pm 5 %
 - Clé à douille : 50 Nm \pm 5 %
 - Hexagone en option sur le raccord process, ouverture de clé 27 mm :
 - Clé plate : 50 Nm \pm 5 %
 - Clé à douille : 50 Nm \pm 5 %



Le couple correct dépend des dimensions du filetage de raccord et du joint utilisé (forme/matériau).

Fonctionnement avec version MH-4-CAN (v) avec sortie électrique mise à l'atmosphère

Les instruments ne doivent pas être obturés au niveau de la mise à l'atmosphère, par exemple en les recouvrant de peinture, sinon la compensation de pression par rapport à l'environnement n'est pas garantie et la précision ne peut être maintenue.

4. Installation

Les points suivants doivent être respectés lors de l'utilisation du raccordement électrique mis à l'atmosphère : éviter tout contact du raccordement électrique avec le carburant diesel. Les conditions d'installation du capteur de pression doivent être choisies de manière à éviter tout contact avec des températures extrêmement fluctuantes et des conditions ambiantes salines (air, liquides).

Pour obtenir des informations concernant les trous taraudés et les embases à souder, voir les Informations techniques IN 00.14 sur www.wika.fr.

FR

4.2 Montage électrique

Tension d'alimentation

- Pour l'alimentation auxiliaire, voir la plaque signalétique.
- Pour plus de détail sur le montage électrique, voir IN 00.50.

Cet équipement est prévu pour fonctionner avec des tensions faibles, qui sont séparées de l'alimentation secteur 230 VAC / 50 Hz ou de tensions supérieures à 50 VAC ou 120 VDC pour des environnements secs. Une connexion à un circuit SELV est recommandée, ou à des circuits avec une mesure de protection différente selon la norme d'installation CEI 60364-4-41.

Pour des instrument avec certification nord-américaine selon UL/CSA CEI 61010-1 :

L'alimentation électrique pour le capteur de pression doit être effectuée au moyen d'un circuit électrique limité en énergie en conformité avec la section 9.4 de UL/EN/CEI 61010-1 ou LPS selon UL/EN/CEI 60950-1/CSA C22.2 No.60950-1 ou UL/EN/CEI 62368-1 ou classe 2 en conformité avec UL1310/UL1585 (NEC ou CEC). La tension d'alimentation doit être capable de fonctionner au-dessus de 2.000 m dans le cas où le capteur de pression serait utilisé à cette altitude.

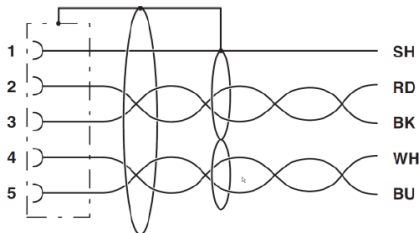
Blindage et mise à la terre

L'instrument doit être mis à la terre par le raccord process.
Utiliser l'instrument avec des câbles blindés, et mettre le blindage à la terre aux deux extrémités du fil de sortie.

Intégrer correctement l'instrument dans le concept de mise à la terre du véhicule. Pour les véhicules utilisant un système électrique de 12 V ou 24 V, relier la masse de la batterie à la carrosserie. Le raccord de pression doit être relié à la masse de la carrosserie.

4. Installation / 5. Dysfonctionnements

Le raccordement électrique étant en plastique, il est nécessaire d'utiliser un câble avec la connexion de blindage suivante :



Les câbles, connecteurs et résistances terminales qui sont utilisés dans un réseau CAN doivent respecter les exigences stipulées dans la norme ISO 11898-2.

Configuration du raccordement

- Pour la configuration du raccordement, voir la plaque signalétique.
- Le câble doit être blindé et le blindage doit être raccordé au plot 1 du connecteur M12.

5. Dysfonctionnements



ATTENTION !

Blessures physiques et dommages aux équipements et à l'environnement

Si des pannes ne peuvent être éliminées au moyen des mesures ici énumérées, le capteur de pression doit être immédiatement mis hors service

- ▶ S'assurer que la pression ou le signal n'est plus présent et protéger contre une mise en service accidentelle.
- ▶ Contacter le fabricant.
- ▶ S'il est nécessaire de retourner l'instrument au fabricant, prière de respecter les indications mentionnées au 7.2 „Retour“.



Pour le détail des contacts, merci de consulter le chapitre 1 “Généralités” ou le dos du mode d'emploi.

5. Dysfonctionnements

Dans le cas de pannes, vérifier d'abord si le capteur de pression est monté correctement, mécaniquement et électriquement.

| Dysfonctionnements | Raisons | Mesures |
|--|--|--|
| Le plastique se décolore | Irradiation UV | Pas de mesure requise La décoloration n'a aucune conséquence. |
| Pas de signal de sortie | Rupture de câble | Vérifier la continuité, et si nécessaire changer le câble. |
| | Alimentation auxiliaire absente/incorrecte | Corriger l'alimentation auxiliaire |
| Pas de / mauvais signal de sortie | Erreur de raccordement électrique | Corriger le raccordement |
| Signal de sortie constant après une variation de pression | Surcharge mécanique causée par une surpression | Remplacer l'instrument ; s'il tombe en panne de manière répétée, contacter le fabricant. |
| Plage de signaux trop petite / tombe | Surcharge mécanique causée par une surpression | Remplacer l'instrument ; s'il tombe en panne de manière répétée, contacter le fabricant. |
| | Étanchéité / surface d'étanchéité endommagée ou souillée, le joint d'étanchéité n'est pas hermétique, les filetages sont grippés | Nettoyer l'étanchéité / la surface d'étanchéité, remplacer l'étanchéité si possible |
| La plage de signaux varie / n'est pas précise | Sources d'interférence CEM dans l'environnement ; par exemple convertisseur de fréquence | Utiliser un blindage pour l'instrument; câble blindé; Se débarrasser de la source d'interférences. |
| | Température de fonctionnement trop élevée/ trop basse | Baisser/augmenter la température |
| | Instrument non mis à la terre | Mettre l'instrument à la terre |
| | Pression du fluide de process qui fluctue fortement | Amortissement ; consultation auprès du fabricant |
| Déviaton du signal de point zéro | Température de fonctionnement trop élevée/ trop basse | Baisser/augmenter la température |
| | Autre position de montage | Réglage du point zéro. |
| | Limite de surpression dépassée | Réduire la pression |

6. Entretien / 7. Démontage, retour et mise au rebut

6. Entretien

6.1 Entretien

Ce capteur de pression ne nécessite aucun entretien.
Les réparations ne doivent être effectuées que par le fabricant.

6.2 Nettoyage

Utiliser uniquement des produits de nettoyage disponibles dans le commerce et sans solvant.

7. Démontage, retour et mise au rebut

7.1 Démontage



AVERTISSEMENT ! **Fluides dangereux**

- ▶ En cas d'erreur, des fluides agressifs peuvent être présents à une température extrême et sous une pression élevée ou sous vide au niveau de l'instrument.
- ▶ Dépressuriser et mettre hors tension le capteur de pression avant de le démonter.

7.2 Retour



AVERTISSEMENT ! **Blessures physiques et dommages aux équipements et à l'environnement liés aux résidus de fluides**

Les restes de fluides se trouvant dans les instruments démontés peuvent mettre en danger les personnes, l'environnement ainsi que l'installation.

- ▶ En cas de substances dangereuses, inclure la fiche technique de sécurité de matériau pour le fluide correspondant.

En cas d'envoi de l'instrument, respecter impérativement :

Tous les instruments livrés à WIKA doivent être exempts de substances dangereuses (acides, bases, solutions, etc.) et doivent donc être nettoyés avant d'être retournés.

Pour retourner l'instrument, utiliser l'emballage original ou un emballage adapté pour le transport.

7. Démontage, retour et mise au rebut / 8. Spécifications



Des informations relatives à la procédure de retour sont disponibles sur notre site Internet à la rubrique "Services".

7.3 Mise au rebut

Une mise au rebut inadéquate peut entraîner des dangers pour l'environnement.

Éliminer les composants des instruments et les matériaux d'emballage conformément aux prescriptions nationales pour le traitement et l'élimination des déchets et aux lois de protection de l'environnement en vigueur.



Ne pas mettre au rebut avec les ordures ménagères. Assurer une mise au rebut correcte en conformité avec les réglementations nationales.

8. Spécifications

En fonction de la version d'instrument sélectionnée (par exemple, joints), les spécifications peuvent différer de celles indiquées ici. Les spécifications dans la documentation de commande prévalent.

→ Pour de plus amples spécifications voir la fiche technique WIKA PE 83.02.

Spécifications

| | |
|---|--|
| Etendue de mesure | → Voir plaque signalétique |
| Ecart de mesure max. | → Voir "Error total probable según la norma IEC 62828-2" ci-dessous |
| Erreur totale probable selon CEI 62828-2 | → Voir le schéma "Error total probable" page 42 |
| Pression de service maximale | → Correspond à la valeur supérieure de l'étendue de mesure/valeur pleine échelle de l'étendue de mesure |
| Limite de surpression selon CEI 62828-1 | La limite de surpression est basée sur l'étendue de mesure. En fonction du raccord process et du joint d'étanchéité sélectionnés, il peut y avoir des restrictions concernant la surpression admissible. |

8. Spécifications

Spécifications

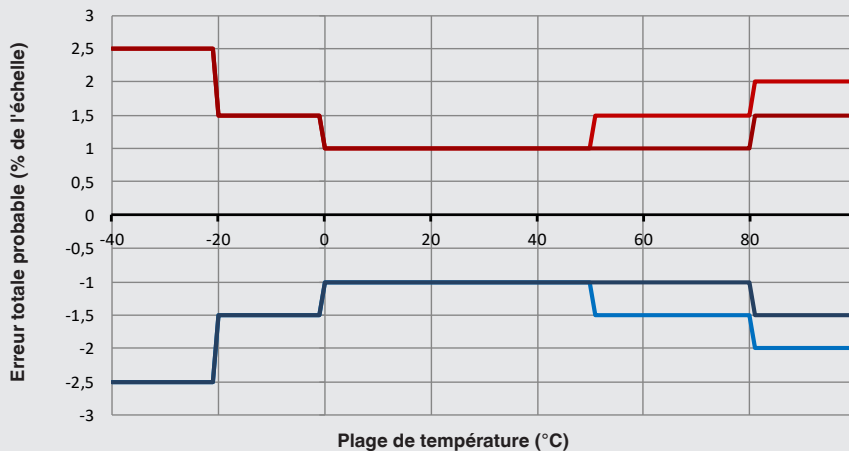
| | |
|--|---|
| Etendues de mesure ≤ 400 bar [≤ 5,000 psi] | 3 fois |
| Etendue de mesure 600 bar [8.000 psi] | 2 fois |
| Tenue au vide | Oui |
| Signal de sortie | → Voir plaque signalétique |
| Alimentation auxiliaire | → Voir plaque signalétique |
| Alimentation courant | → Voir plaque signalétique |
| Résistance court-circuit | CAN-High/CAN-Low contre U+/U- (U+ : ≤ 24 VDC) |
| Protection contre l'inversion de polarité | U+ contre U- (pas de protection contre l'inversion de polarité avec signal de sortie ratiométrique) |
| Configuration du raccordement | → Voir plaque signalétique |
| Tension d'isolement | 500 VDC |
| Matériau (en contact avec le fluide) | Acier inox 304L, acier PH |
| Limite de température du fluide | -40 ... +100 °C [-40 ... +212 °F] |
| Limite de température ambiante | -40 ... +85 °C [-40 ... +185 °F] |
| Limite de température de stockage | -40 ... +70 °C [-40 ... +158 °F] |
| Humidité relative selon EN 60068-2-78 | 93 % à 55 °C [131 °F] |
| Degré de pollution admissible | 2 |
| Durée de vie | > 100 millions de cycles de chargement |


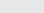

FR

8. Spécifications

Erreur totale probable

Y compris non-linéarité 1), hystérésis, non-répétabilité, point zéro et écart de pleine échelle, erreur de température, hystérésis de température, et l'erreur due à des fluctuations de la pression atmosphérique

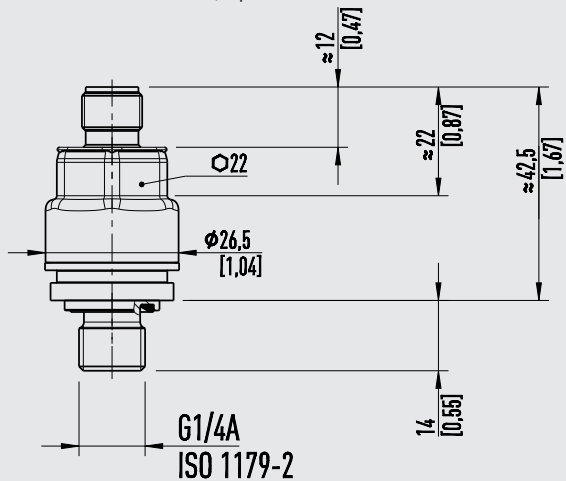


| | |
|--|--|
|  MH-4-CAN : | Etendues de mesure ≥ 160 bar ... 600 bar |
|  MH-4-CAN (v) : | Etendues de mesure ≥ 40 bar ... < 160 bar |
|  MH-4-CAN : | Etendues de mesure ≥ 40 bar ... < 160 bar |

8. Spécifications

Dimensions en mm [po]

Connecteur circulaire M12 x 1, 5 plots



Poids : 80 g [0,18 lbs]

FR

Contenido

ES

| | |
|--|-----------|
| 1. Información general | 45 |
| 2. Diseño | 45 |
| 3. Seguridad | 46 |
| 4. Montaje | 48 |
| 5. Errores | 51 |
| 6. Mantenimiento | 53 |
| 7. Desmontaje, devolución y eliminación de residuos | 53 |
| 8. Datos técnicos | 54 |

Las declaraciones de conformidad se pueden encontrar en www.wika.es.

1. Información general / 2. Diseño

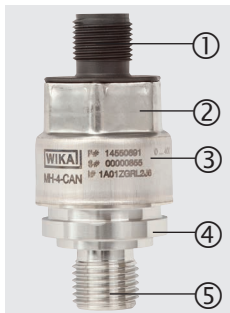
1. Información general

- ¡Leer el manual de instrucciones antes de comenzar cualquier trabajo! ¡Guardar el manual para una eventual consulta!
- Este manual de instrucciones proporciona indicaciones importantes acerca del manejo del instrumento. Para un trabajo seguro, es imprescindible cumplir con todas las instrucciones de seguridad y manejo indicadas.
- En caso de interpretación diferente de las instrucciones de uso traducidas y las inglesas, prevalecerá la redacción inglesa.
- Se aplican las condiciones generales de WIKA Alexander Wiegand SE & Co. KG.
- Para obtener más información consultar:
 - Página web: www.wika.es / www.wika.com
 - Hoja técnica: PE 83.02
 - Información adicional: Documentación especial CANopen
Documentación especial SAE J1939
 - Información técnica: IN 00.14 Orificios roscados para conexiones a proceso
IN 00.50 Montaje eléctrico

ES

2. Diseño

2.1 Resumen



- ① Conexión eléctrica
- ② Caja, área para llave
- ③ Caja
- ④ Conexión a proceso, área para llave
- ⑤ Conexión a proceso, rosca

3. Seguridad

3. Seguridad

3.1 Explicación de símbolos y términos



¡ADVERTENCIA!

... señala una situación probablemente peligrosa que puede causar la muerte o lesiones graves si no se evita.



¡CUIDADO!

... señala una situación probablemente peligrosa que puede causar lesiones leves o medianas o daños materiales y al medio ambiente si no se evita.



Información

... destaca consejos y recomendaciones útiles así como informaciones para una utilización eficiente y libre de errores.

3.2 Uso conforme a lo previsto

El modelo MH-4-CAN es un sensor de presión que se utiliza para medir la presión en maquinaria hidráulica móvil.

El sensor de presión solo se puede usar en aplicaciones que se encuentren dentro de sus límites de rendimiento técnico, en particular con respecto a su límite de resistencia del material, límites de tasa de fuga y límites de presión y temperatura permisibles.

Es responsabilidad exclusiva del fabricante o de la empresa operadora de una máquina o equipo garantizar la idoneidad del sensor de presión y su resistencia a los medios en la aplicación a través de la elección adecuada de los materiales y los ciclos de mantenimiento.

→ Para límites de rendimiento véase el capítulo 8 „Datos técnicos“.

El modelo MH-4-CAN es un desarrollo especial para la medición de presión de fluidos, líquidos y gases no peligrosos (clasificación según el artículo 13 de la Directiva 2014/68/CE, el Reglamento (CE) n° 1272/2008 o GHS1), que se utilizan principalmente para refrigeración, lubricación, limpieza o transmisión de potencia en máquinas industriales.

Montaje, desmontaje, instalación, parametrización y mantenimiento del sensor de presión en un entorno industrial requiere de personal calificado según el capítulo 2.1 “Resumen”.

3. Seguridad

El instrumento ha sido diseñado y construido únicamente para la finalidad aquí descrita y debe utilizarse en conformidad a la misma.

No se admite ninguna reclamación debido a un manejo no adecuado.

3.3 Uso incorrecto

Cualquier uso que no sea el previsto para este dispositivo es considerado como uso incorrecto. No se permiten modificaciones no autorizadas del instrumento.

El uso en las siguientes áreas de aplicación cuenta como uso inadecuado:

- Sistemas de seguridad o de parada de emergencia
- Zonas potencialmente explosivas
- Medios abrasivos o viscosos y aplicaciones con hidrógeno y oxígeno
- Vehículos ferroviarios, productos sanitarios, tecnología de refrigeración y bombas de agua
- Lugares de uso que no están protegidos de las influencias meteorológicas (en el marco de la homologación UL)
- Procesos con alta condensación

3.4 Cualificación del personal

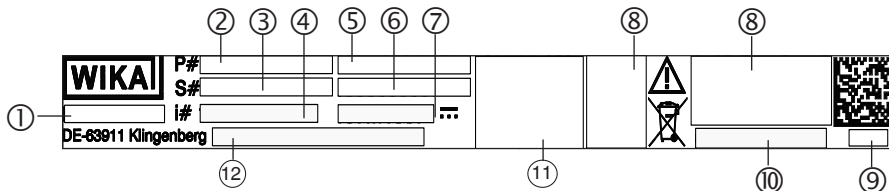
Personal especializado

Debido a su formación profesional, a sus conocimientos de la técnica de regulación y medición así como a su experiencia y su conocimiento de las normativas, normas y directivas vigentes en el país de utilización el personal especializado autorizado por el usuario debe ser capaz de ejecutar los trabajos descritos y reconocer posibles peligros por sí solo.

3. Seguridad / 4. Montaje

3.5 Rótulos, marcajes de seguridad

Placa de identificación (ejemplo)



- | | | |
|-------------------------------|-------------------------|-----------------------------------|
| ① Nombre del modelo (versión) | ⑤ Rango de medición | ⑨ Fecha de fabricación codificada |
| ② Código | ⑥ Señal de salida | ⑩ Texto adicional seleccionable |
| ③ Número de serie digital | ⑦ Alimentación auxiliar | ⑪ Detalles del conexionado |
| ④ Número de serie | ⑧ Homologaciones | ⑫ Consumo máximo de corriente |



Lea atentamente el manual de instrucciones antes de montar y poner en funcionamiento el dispositivo.



Corriente continua



No eliminar en las basuras domésticas. Garantizar una eliminación correcta según las prescripciones nacionales.

4. Montaje

4.1 Montaje mecánico

Utilizar el sensor de presión sólo si encuentra en condiciones de funcionamiento absolutamente seguras.

Inspeccionar visualmente el sensor de presión antes de ponerlo en servicio.

- Un escape de líquido es un indicador de daños.
- Notificar daños obvios de forma inmediata.

4. Montaje

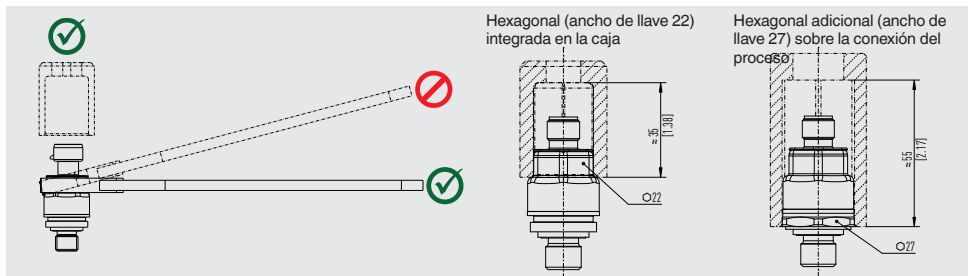
Montaje del instrumento



El par de apriete máx. depende del lugar de montaje (por ej. material y forma). Si tiene preguntas póngase en contacto con nuestro servicio técnico.
→ Datos de contacto ver capítulo 1 "Información general" o parte posterior del manual de instrucciones.

ES

1. Obturar la superficie de obturación.
2. Roscar el sensor de presión manualmente en el lugar de montaje.
3. Apretar mediante llave dinamométrica utilizando las áreas para llave.
 - Hexágono en la caja, SW 22 mm:
 - Llave de boca: 30 Nm \pm 5 %
 - Llave de tubo: 50 Nm \pm 5 %
 - Hexágono opcional en la conexión a proceso, SW 27 mm:
 - Llave de boca: 50 Nm \pm 5 %
 - Llave de tubo: 50 Nm \pm 5 %



El par de giro correcto depende de la dimensión de la rosca de conexión así como de la junta utilizada (forma/material).

Funcionamiento con la versión MH-4_CAN (v) con salida eléctrica ventilada

Los instrumentos no deben sellarse en el orificio de ventilación, por ejemplo, pintándolos, ya que de lo contrario no se garantiza la compensación de la presión con el entorno y no se puede mantener la precisión.

4. Montaje

Al utilizar la conexión eléctrica ventilada debe observarse lo siguiente: evite el contacto de la conexión eléctrica con combustible diésel. Las condiciones de instalación del sensor de presión deben seleccionarse de forma que se evite el contacto con temperaturas extremadamente fluctuantes y condiciones ambientales salinas (aire, líquidos).

Las indicaciones sobre taladros para roscar y para soldar se detallan en nuestra información técnica IN 00.14 en www.wika.es.

4.2 Montaje eléctrico

Alimentación de corriente

- Alimentación auxiliar véase placa de identificación.
- Para más detalles sobre el montaje eléctrico, véase IN 00.50.

Este dispositivo debe utilizarse con bajas tensiones aisladas de la tensión de red de AC 230 V / 50 Hz o de tensiones superiores a AC 50 V y DC 120 V para ambientes secos. Debe optarse preferiblemente por una conexión a circuitos eléctricos SELV; como alternativa se recomienda una medida de protección según la norma de instalación IEC 60364-4-41.

Para los instrumentos con certificación norteamericana según UL/CSA IEC 61010-1:

Utilizar un circuito eléctrico con límite de energía según el párrafo 9.4 de UL/EN/IEC 61010-1 o LPS según UL/EN/IEC 60950-1/CSA C22.2 No.60950-1 o UL/EN/IEC 62368-1 o Clase 2 según UL1310/UL1585 (NEC o CEC) para alimentar el sensor de presión. La alimentación de corriente debe ser adecuada para aplicaciones en alturas superiores a 2.000 metros, si se quiere utilizar el sensor de presión a partir de esas alturas.

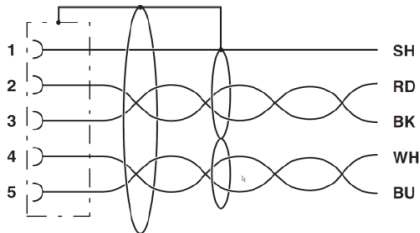
Blindaje y puesta a tierra

Poner a tierra el instrumento a través de la conexión a proceso.
Utilice el instrumento con cables blindados y poner a tierra el blindaje en ambos extremos del cable.

Integrar correctamente el instrumento en el concepto de toma de tierra del vehículo. En vehículos con sistema eléctrico de 12 ó 24 V, conecte la toma de tierra de la batería a la carrocería. La conexión de presión debe conectarse a la toma de tierra de la carrocería.

4. Montaje / 5. Errores

Dado que la conexión eléctrica es de plástico, es necesario utilizar un cable con la siguiente conexión de blindaje:



El cable, enchufe y los terminadores usados en una red CAN tienen que cumplir con los requisitos de la norma ISO 11898-2

Detalles del conexionado

- Si desea conocer la asignación de conexiones consulte la placa de identificación
- El cable debe estar apantallado y el apantallamiento debe conectarse al pin 1 del conector M12.

5. Errores



¡CUIDADO!

Lesiones corporales, daños materiales y del medio ambiente

Si no se pueden solucionar los defectos usando las medidas mencionadas se debe poner el sensor de presión inmediatamente fuera de servicio.

- ▶ Asegurar que el dispositivo no queda expuesto a presión o una señal y protegerlo contra usos accidentales.
- ▶ Contactar al fabricante.
- ▶ Si desea devolver el instrumento, observar las indicaciones en 7.2 "Devolución".



Datos de contacto, ver capítulo 1 "Información general" o parte posterior del manual de instrucciones.

5. Errores

En caso de averías, verificar en primer lugar la conexión mecánica y eléctrica del sensor de presión.

| Errores | Causas | Medidas |
|--|---|--|
| El plástico está descolorido | Irradiación UV | No se requieren medidas La decoloración es irrelevante |
| Ninguna señal de salida | Rotura de cable | Comprobar el paso; en caso necesario reemplazar el cable |
| | Alimentación auxiliar ausente/errónea | Corregir la fuente de alimentación auxiliar |
| Señal de salida ausente/errónea | Error de cableado | Corregir el cableado |
| La señal de salida no cambia cuando cambia la presión | Sobrecarga mecánica por sobrepresión | Sustituir el instrumento, consultar al fabricante si falla repetidas veces |
| Alcance de señal demasiado pequeño/cae | Sobrecarga mecánica por sobrepresión | Sustituir el instrumento, consultar al fabricante si falla repetidas veces |
| | Limpia la junta/superficie dañada o sucia, la junta no asienta correctamente, vueltas de rosca torcidas | Limpia la junta/superficie de sellado; reemplazar la junta en caso necesario |
| Span de señal oscilante/impreciso | Fuentes de interferencias CEM en el entorno, (p. ej. convertidor de frecuencia) | Blindar el instrumento, blindaje del cable, quitar la fuente de interferencias |
| | Temperaturas de uso excesivas / insuficientes | Disminuir/aumentar la temperatura |
| | Instrumento no conectado a tierra | Conectar a tierra el instrumento |
| | Presión del medio de proceso fuertemente ciclante | Amortiguación; asesoramiento por parte del fabricante |
| Desviación de señal de punto cero | Temperaturas de uso excesivas / insuficientes | Disminuir/aumentar la temperatura |
| | Posición de montaje diferente | Corregir punto cero |
| | Límite de sobrepresión excedido | Disminuir la presión |

6. Mantenimiento / 7. Desmontaje, devolución y eliminación de residuos

6. Mantenimiento

6.1 Mantenimiento

Este sensor de presión no requiere mantenimiento.

Todas las reparaciones solamente las debe efectuar el fabricante.

6.2 Limpieza

Utilice únicamente productos de limpieza comerciales y sin disolventes.

ES

7. Desmontaje, devolución y eliminación de residuos

7.1 Desmontaje



¡ADVERTENCIA!

Medios peligrosos

- ▶ En caso de fallo es posible que haya medios agresivos con temperaturas extremas o de bajo presión o que haya un vacío en el instrumento.
- ▶ Interrumpir la alimentación de presión y de corriente del sensor de presión antes de desmontarlo.

7.2 Devolución



¡ADVERTENCIA!

Lesiones corporales, daños materiales y del medio ambiente por medios residuales

Medios residuales en el instrumento desmontado pueden causar riesgos para personas, medio ambiente e instalación.

- ▶ Si se trata de sustancias peligrosas, adjunte la hoja técnica de seguridad de la sustancia de medición correspondiente.

Es imprescindible observar lo siguiente para el envío del instrumento:

Todos los instrumentos enviados a WIKA deben estar libres de sustancias peligrosas (ácidos, lejías, soluciones, etc.) y, por lo tanto, deben limpiarse antes de devolver.

Utilizar el embalaje original o un embalaje adecuado para la devolución del instrumento.

7. Desmontaje, devolución y eliminación de residuos / 8. Datos técnicos



Comentarios sobre el procedimiento de las devoluciones se encuentra en el apartado “Servicio” en nuestra página web local.

7.3 Eliminación de residuos

Una eliminación incorrecta puede provocar peligros para el medio ambiente.

Eliminar los componentes de los instrumentos y los materiales de embalaje conforme a los reglamentos relativos al tratamiento de residuos y eliminación vigentes en el país de utilización.



No eliminar en las basuras domésticas. Garantizar una eliminación correcta según las prescripciones nacionales.

8. Datos técnicos

Dependiendo de la versión del instrumento seleccionada (por ejemplo, las juntas), los datos técnicos pueden diferir de los datos técnicos enumerados aquí. Los datos técnicos en la documentación de pedido son definitivas.

→ Para más datos técnicos véase la WIKA hoja técnica PE 83.02.

Datos técnicos

| | |
|--|---|
| Rango de medición | → Véase la placa de identificación |
| Error máximo de medición | → Ver “Error total probable según la norma IEC 62828-2” más abajo |
| Error total probable según la norma IEC 62828-2 | → Ver diagrama “Erreur totale probable” en página 56 |
| Presión máxima de trabajo | → Corresponde al valor superior del rango de medición/valor final de escala del rango de medida |
| Límite de presión de sobrecarga según IEC 62828-1 | El límite de sobrepresión está basado en el rango de medición. Dependiendo de la conexión a proceso escogida y de la junta, pueden producirse restricciones en el límite de sobrepresión. |
| Rangos de medición \leq 400 bar [5.000 psi] | 3 veces |
| Rango de medición 600 bar [8.000 psi] | 2 veces |

8. Datos técnicos

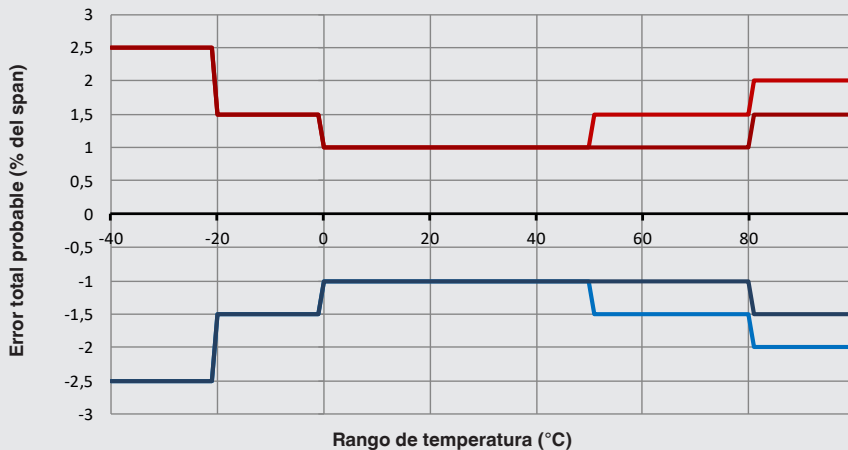
| Datos técnicos | |
|---|--|
| Resistencia al vacío | Sí |
| Señal de salida | → Véase la placa de identificación |
| Alimentación auxiliar | → Véase la placa de identificación |
| Consumo de corriente | → Véase la placa de identificación |
| Resistencia contra cortocircuitos | CAN-High/CAN-Low contra U+/- (U+; ≤ DC 24 V) |
| Protección contra polaridad inversa | U+ contra U- (sin protección contra polaridad inversa en señal de salida ratiométrica) |
| Detalles del conexionado | → Véase la placa de identificación |
| Tensión de aislamiento | DC 500 V |
| Material (en contacto con el medio) | Acero inoxidable 304L, acero de grado PH |
| Límite de temperatura del medio | -40 ... +100 °C [-40 ... +212 °F] |
| Límite de temperatura ambiente | -40 ... +85 °C [-40 ... +185 °F] |
| Límite de temperatura de almacenamiento | -40 ... +70 °C [-40 ... +158 °F] |
| Humedad relativa según EN 60068-2-78 | 93 % a 55 °C [131 °F] |
| Grado de contaminación admisible | 2 |
| Duración | > 100 millones ciclos de carga |

ES

8. Datos técnicos

Error total probable

Incluyendo no linealidad ¹⁾, histéresis, no repetibilidad, error de punto cero y de fondo de escala, error de temperatura, histéresis de temperatura y error por fluctuaciones de la presión atmosférica.

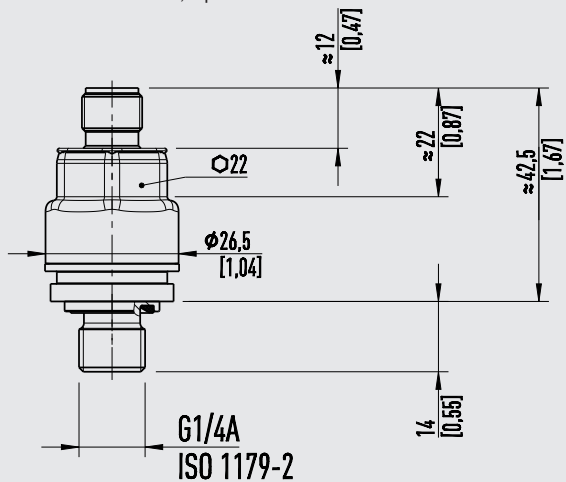


- MH-4-CAN: Rangos de medición ≥ 160 bar ... 600 bar
- MH-4-CAN (v): Rangos de medición ≥ 40 bar ... < 160 bar
- MH-4-CAN: Rangos de medición ≥ 40 bar ... < 160 bar

8. Datos técnicos

Dimensiones en mm [pulg]

Conector circular M12 x 1, 5 pines



Peso: 80 g [0,18 lbs]

ES

WIKA subsidiaries worldwide can be found online at www.wika.com.
WIKA-Niederlassungen weltweit finden Sie online unter www.wika.de.
La liste des filiales WIKA dans le monde est disponible sur www.wika.fr.
Per le filiali WIKA nel mondo, visitate il nostro sito www.wika.it.



Importer for UK
WIKAL Instruments Ltd
Unit 6 and 7 Goya Business park
The Moor Road
Sevenoaks
Kent
TN14 5GY



WIKAL Alexander Wiegand SE & Co. KG
Alexander-Wiegand-Strasse 30
63911 Klingenberg • Germany
Tel. +49 9372 132-0
info@wika.de
www.wika.de